



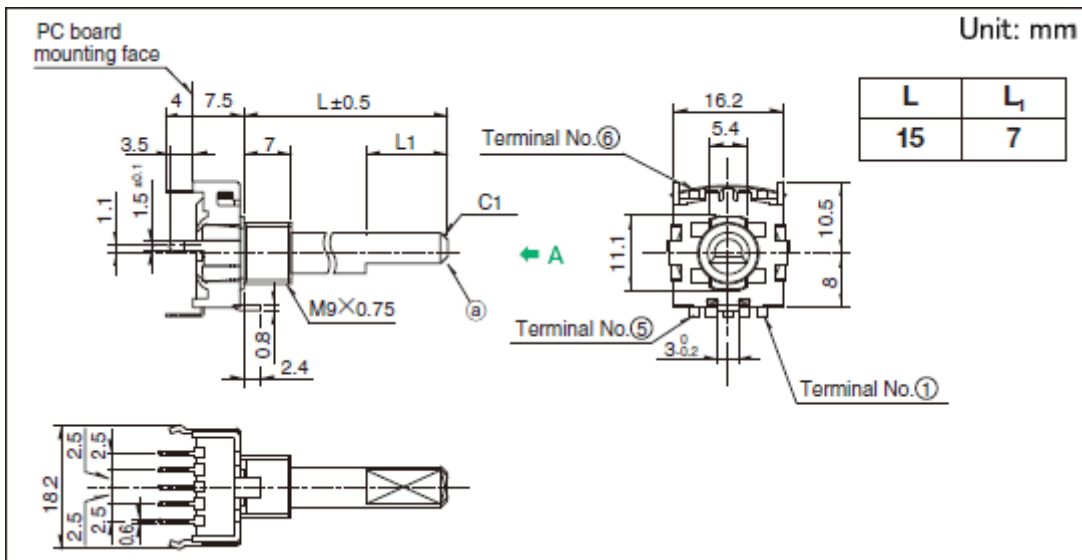
8-positions Low-profile Vertical Type SRBV Series

Poles		1	
Positions		3	
Changeover angle		30±3°	
Changeover timing		Non shorting	
Rotational torque		30±15mN·m	
Actuator configuration		Flat	
Actuator length		L: 15mm	
Operating temperature range		-10°C to +85°C	
Rating (max.)/(min.) (Resistive load)		0.3A 16V DC/50µA 3V DC	
Electrical performance	Contact resistance (Initial performance/After lifetime)	50mΩ max./150mΩ max.	
	Insulation resistance	100MΩ min. 100V DC	
	Voltage proof	100V AC for 1 minute	
Mechanical performance	Terminal strength	5N for 1 minute	
	Actuator strength	Rotational direction	0.6N·m
		Push direction	100N
	Wobble of actuator (load at the tip of shaft: 1N)	Measuring position from mounting surface	10mm
		Shaft wobble (max. value)	0.2mm max.
	Applicable mounting dimension	15mm	
Durability	Operating life without load	10,000 cycles 100mΩ max.	
	Operating life with load (at max. rated load)	10,000 cycles 150mΩ max.	

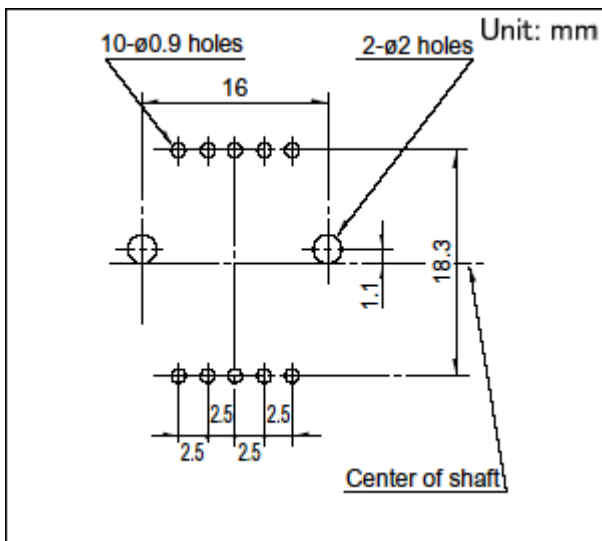
Environmental performance	Cold	-20±2°C for 96h
	Dry heat	85±2°C for 96h
	Damp heat	40±2°C, 90 to 95%RH for 96h

Minimum order unit (pcs.)	Japan	165
	Export	330

Dimensions

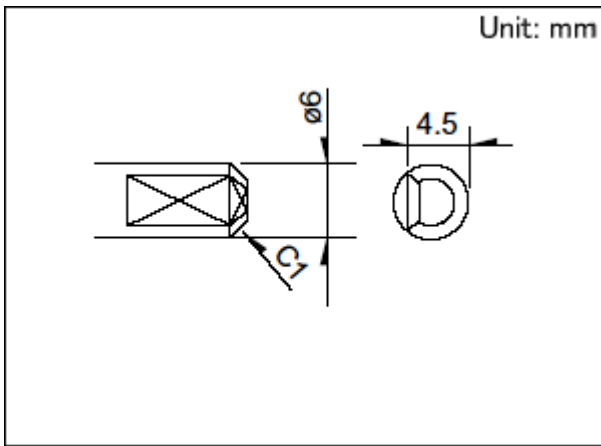


Mounting Hole Dimensions



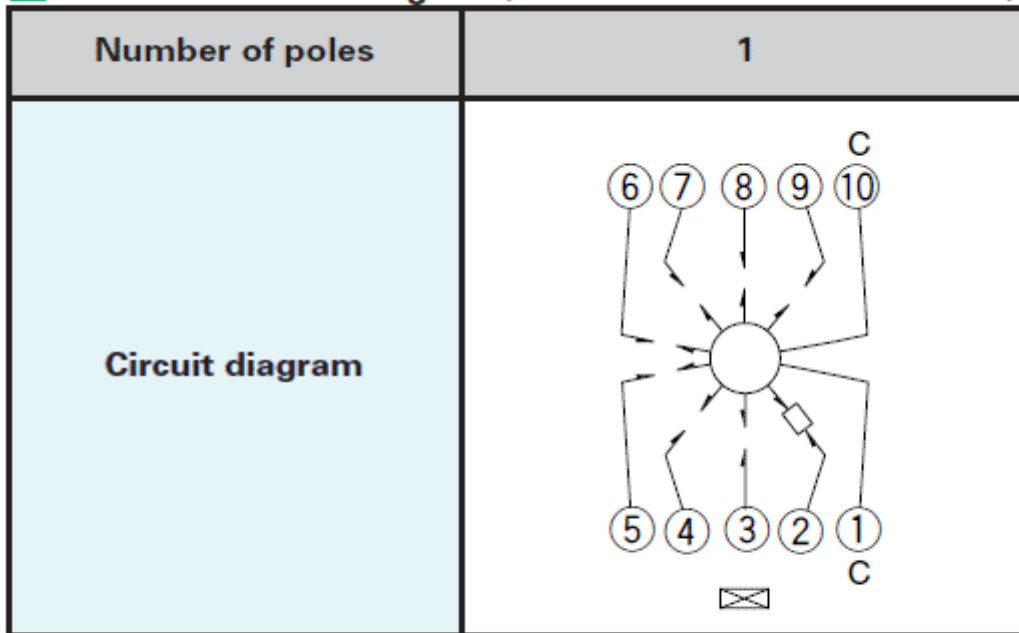
Viewed from direction A in the dimensions.

Operation Part Details (a)



Circuit Diagram and Dummy Terminals

Standard Circuit Diagram (Viewed from the Direction A)



Dummy Terminals

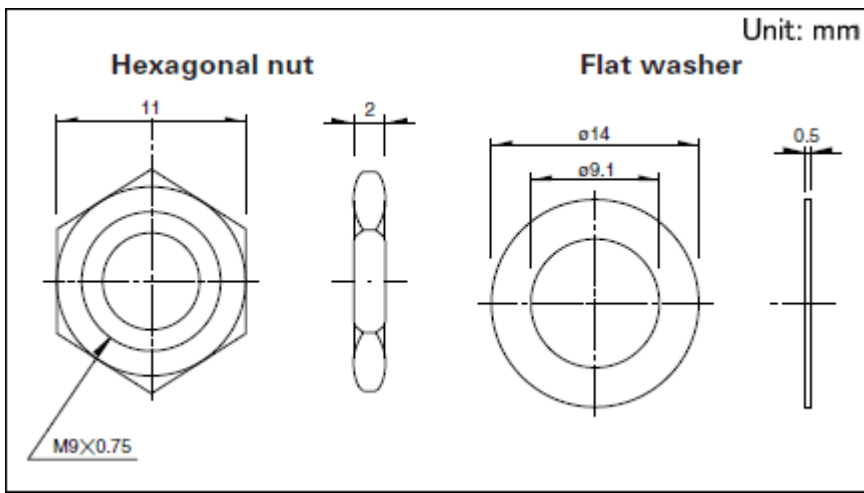
3-positions	⑤ ⑥ ⑦ ⑧ ⑨
--------------------	-----------

Packing Specifications

Bulk

Number of packages 1 case / Japan (pcs.)	165
1 case / export packing	330
Export package measurements (mm)	400×270×185

Attached Parts



The following parts are included with the product.

Soldering Conditions

Reference for Dip Soldering

Items	Preheating temperature	-
	Preheating time	-
Dip soldering	Soldering temperature	260±5°C
	Duration of immersion	10±1s

Reference for Hand Soldering

Soldering temperature	350±10°C
Soldering time	3+1/0s

Notes are common to this series/models.

1. This site catalog shows only outline specifications. When using the products, please obtain formal specifications for supply.
2. Please place purchase orders per minimum order unit (integer).
3. Products other than those listed in the above chart are also available. Please contact us for details.
4. This products can be used in vehicles.

Although these products are designed to perform over a wide operating temperature range, please ensure that you receive and read the formal delivery specifications before use.