



## 8.5(H)mm, 2.0mm-travel Type SSSF Series

Travel		2mm
Actuator directions		Vertical
Actuator length		6mm
Poles		2
Positions		2
Operating force		Refer to the dimensions.
Mounting method		Snap-in (t1.6)
Changeover timing		Non shorting
Soldering		Manual, Dip
Operating temperature range		-40°C to +85°C
Rating (max.)/(min.) (Resistive load)		0.1A 30V DC/10μA 1V DC
Electrical performance	Contact resistance (Initial performance/After lifetime)	25mΩ max./65mΩ max.
	Insulation resistance	100MΩ min. 500V DC
	Voltage proof	500V AC for 1 minute
Mechanical performance	Terminal strength	5N for 1 minute
	Actuator strength	Operating direction 30N
		Pulling direction 30N
Durability	Operating life without load	10,000 cycles 45mΩ max.
	Operating life with load (at max. rated load)	10,000 cycles 65mΩ max.
Environmental performance	Cold	-40°C 500h

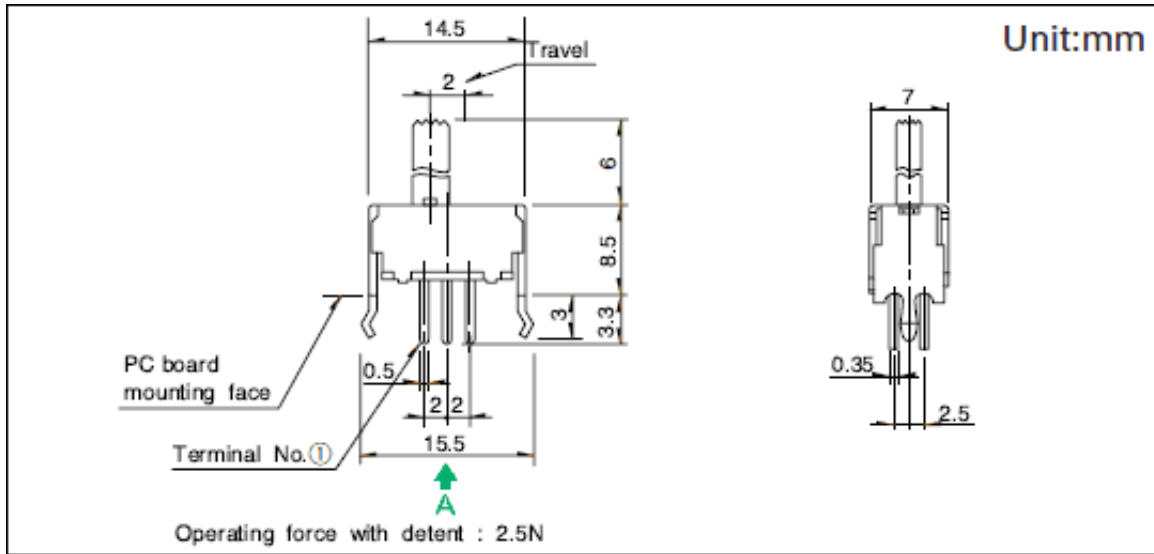
Dry heat 85°C 500h

Damp heat 60°C, 90 to 95%RH 500h

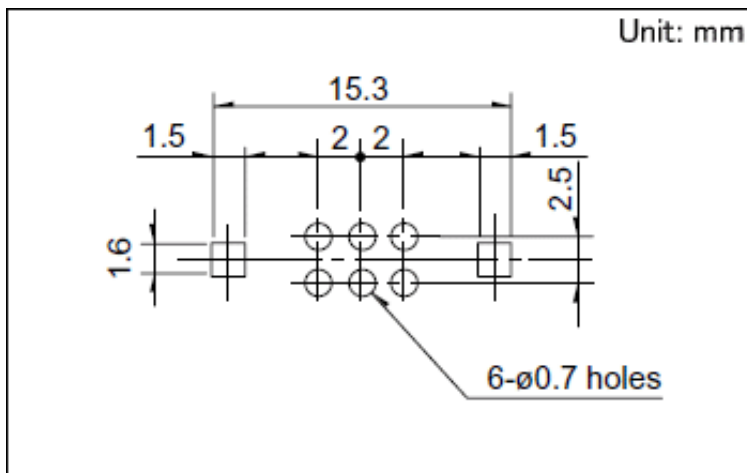
Minimum order unit (pcs.) Japan 800

Export 4,000

### Dimensions

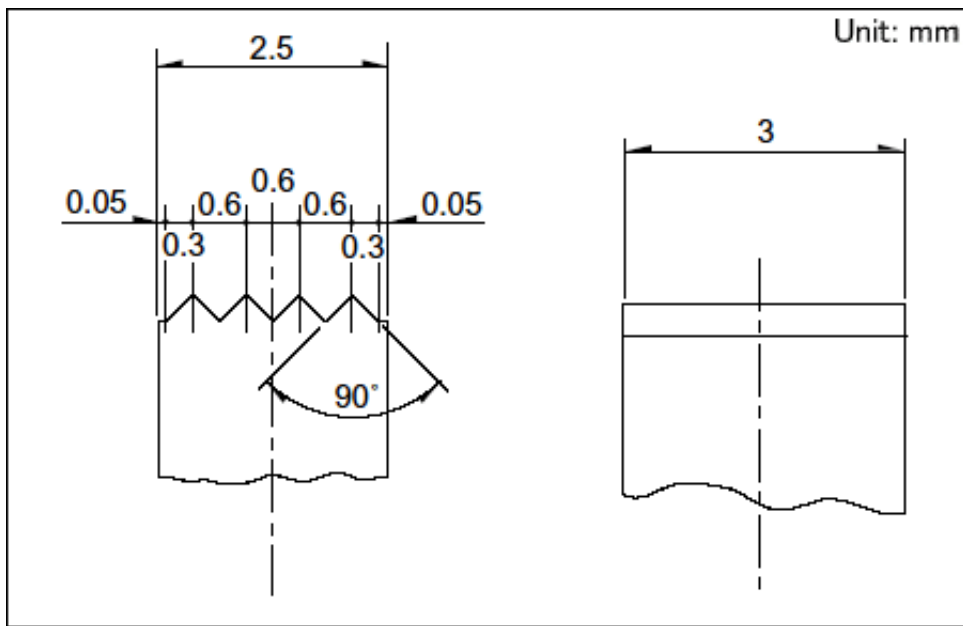


### Mounting Hole Dimensions

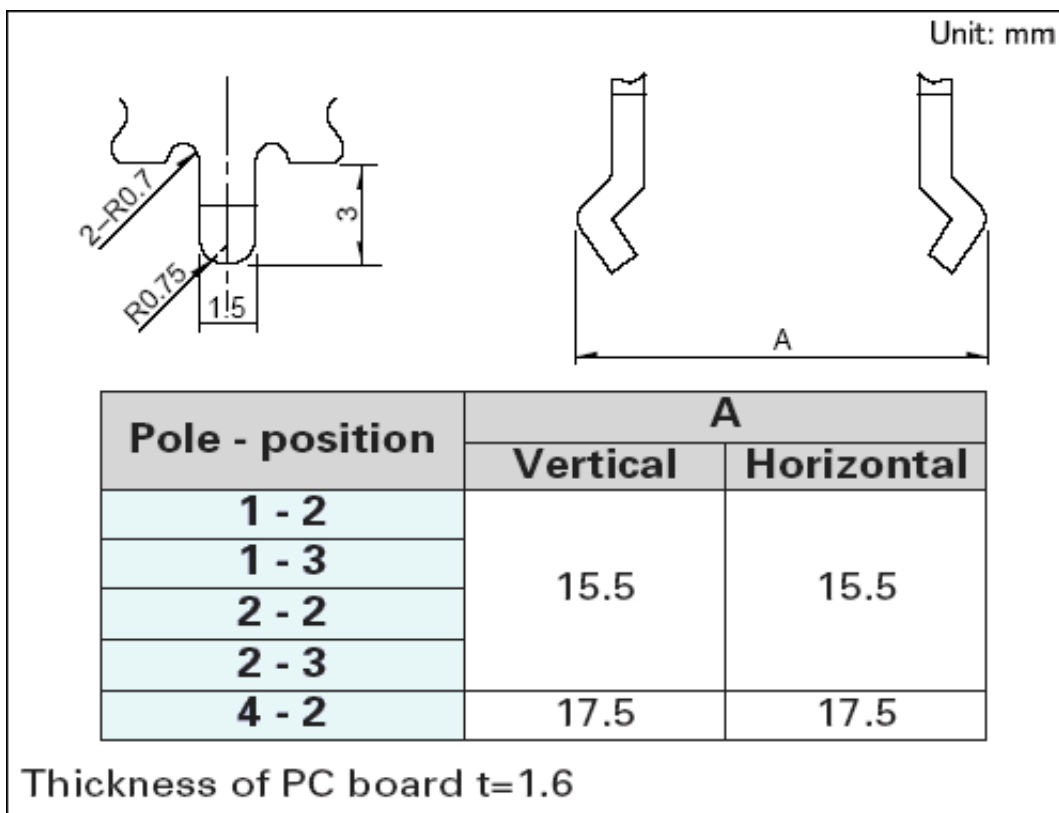


Viewed from direction A in the dimensions.

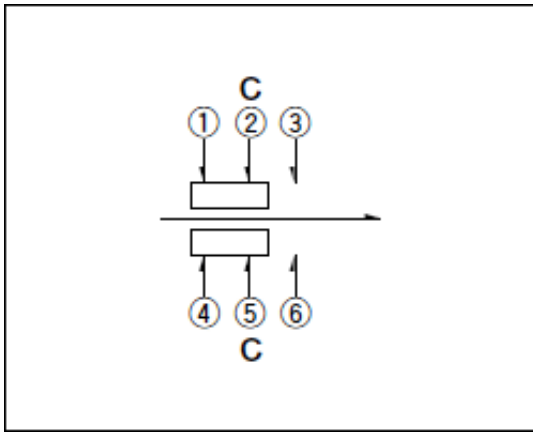
### Actuator Configuration



Shape of Frame Leg



Circuit Diagram



## Packing Specifications

### Bulk

Number of packages (pcs.)	1 case / Japan	800
	1 case / export packing	4,000
Export package measurements (mm)		400×270×290

## Soldering Conditions

### Reference for Dip Soldering

Items	Preheating temperature	100°C max.
	Preheating time	60s max.
Dip soldering	Soldering temperature	260±5°C
	Duration of immersion	10±1s

### Reference for Hand Soldering

Soldering temperature	350±10°C
Soldering time	3+1/0s

## Notes are common to this series/models.

1. This site catalog shows only outline specifications. When using the products, please obtain formal specifications for supply.
2. Please place purchase orders per minimum order unit (integer).
3. Products other than those listed in the above chart are also available. Please contact us for details.