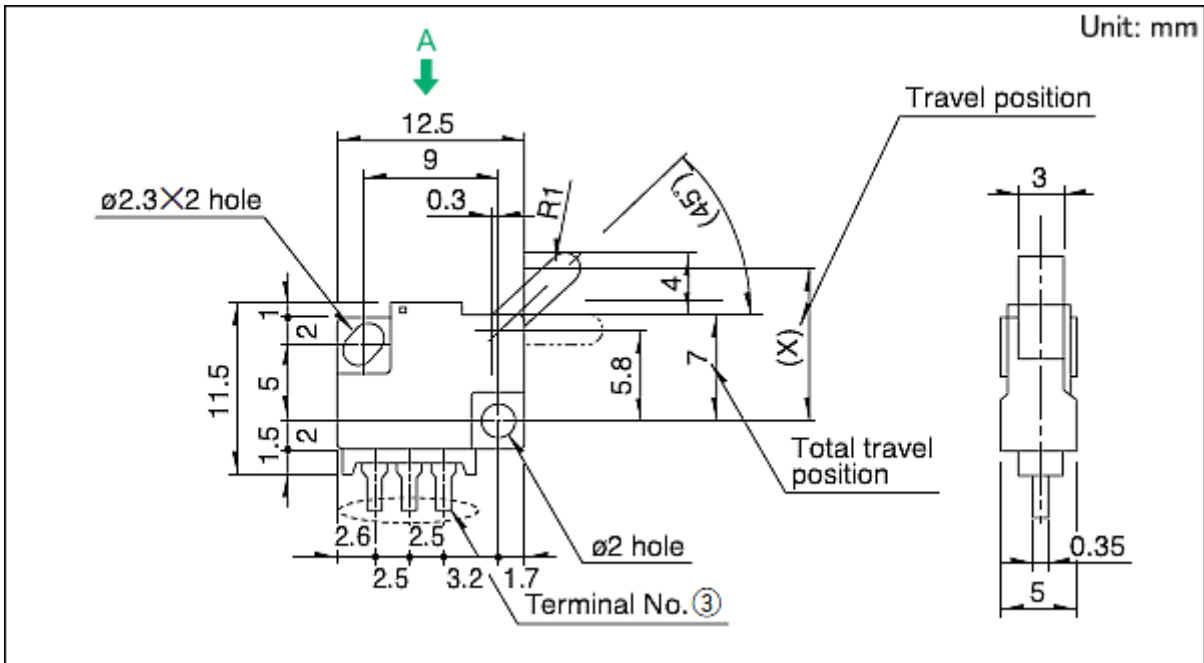




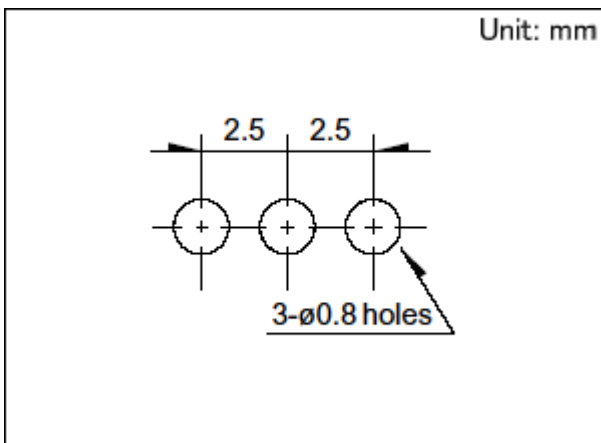
Micro Switch Type SSCT Series

Poles		1
Positions		2
Changeover timing		Non shorting
Operation part shape		Lever
Terminal type		For PC board
Operating force		0.7±0.3N
Operating temperature range		-40°C to +85°C
Rating (max.)/(min.) (Resistive load)		0.1A 12V DC/50μA 3V DC
Electrical performance	Contact resistance (Initial/After operating life)	200mΩ max./500mΩ max.
	Insulation resistance	100MΩ min. 250V DC
	Voltage proof	250V AC for 1 minute
Mechanical performance	Terminal strength	3N for 1 minute
	Actuator strength	20N
Durability	Operating life without load	10,000 cycles 500mΩ max.
	Operating life with load Rating (max.) (Resistive load)	10,000 cycles 500mΩ max.
Environmental performance	Cold	-40°C 500h
	Dry heat	85°C 500h
	Damp heat	60°C, 90 to 95%RH 500h
Minimum order unit (pcs.)	Japan	1,000
	Export	5,000

Dimensions

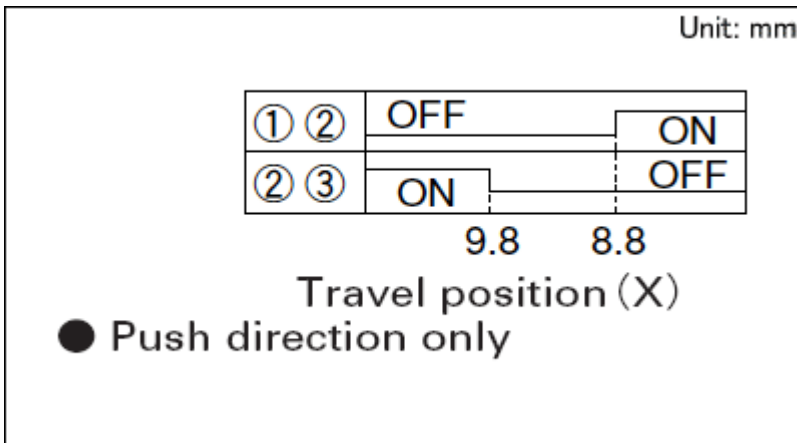


Mounting Hole Dimensions

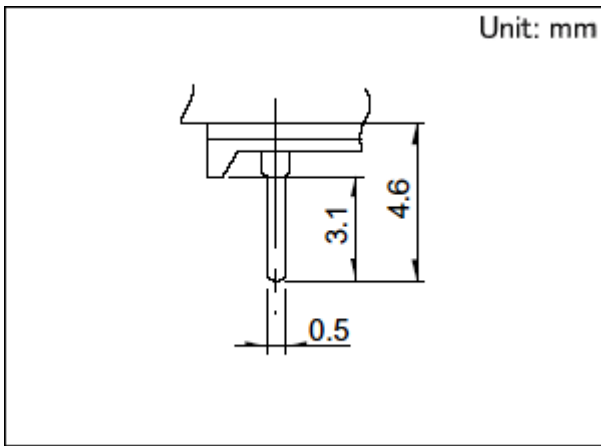


Viewed from direction A in the dimensions.

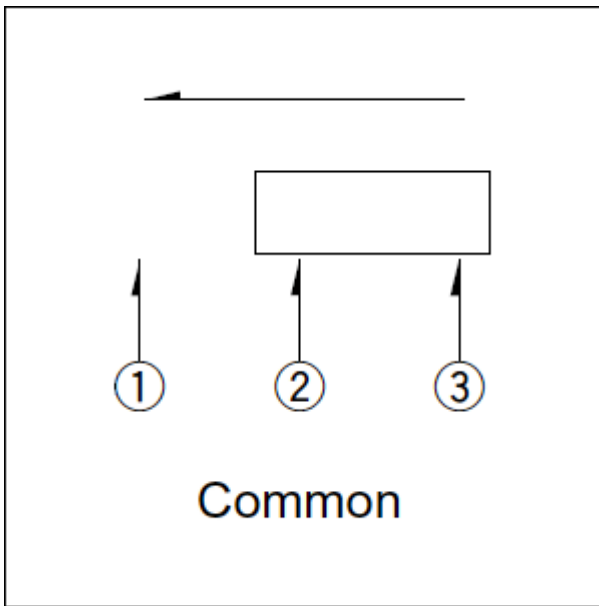
Timing Lag Diagram



Terminal Style



Circuit Diagram



Packing Specifications

Bulk

Number of packages (pcs.)	1 case / Japan	1,000
---------------------------	----------------	-------

	1 case / export packing	5,000
--	-------------------------	-------

Export package measurements (mm)	400×270×290
----------------------------------	-------------

Soldering Conditions

Reference for Dip Soldering

Items	Preheating temperature	100±10°C
-------	------------------------	----------

	Preheating time	60s max.
--	-----------------	----------

Dip soldering	Soldering temperature	260±5°C
---------------	-----------------------	---------

	Duration of immersion	5±1s
--	-----------------------	------

Reference for Hand Soldering

Soldering temperature	350±5°C
-----------------------	---------

Soldering time	3s max.
----------------	---------

Notes are common to this series/models.

1. This site catalog shows only outline specifications. When using the products, please obtain formal specifications for supply.
2. Please place purchase orders per minimum order unit (integer).
3. This products can be used in vehicles.
Although these products are designed to perform over a wide operating temperature range, please ensure that you receive and read the formal delivery specifications before use.