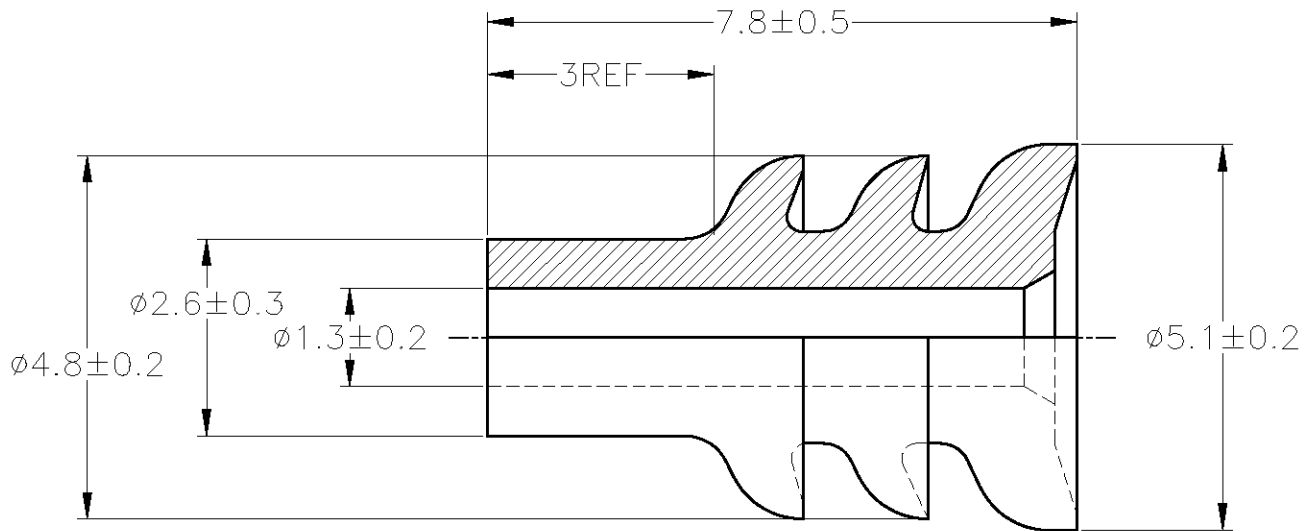


LOC J	DIST —	REVISIONS			
P	LTR	DESCRIPTION	DATE	DWN	APVD
	A1	REDRAWN W/CHANGE	ECR-11-013107	23JUL11	TS KB



- ① OIL COATED TYPE
- ② RECOMMENDED PROCESS : AUTOMATIC MACHINE
- ③ RECOMMENDED PROCESS : MANUAL

- ① オイル塗布タイプ
- ② 推奨工程：自動機械
- ③ 推奨工程：手動

WIRE RANGE 0.2~0.5 (AV, AVS) mm <sup>2</sup> (AWG#24-#20)	INSULATION DIA. 1.4~2.4 mmφ
---	--------------------------------

②	NBR	黒 BLACK	9-172746-1
③	NBR ①	黒 BLACK	172746-1
	材料 MATERIAL	色 COLOR	型番 PART NUMBER

THIS DRAWING IS UNPUBLISHED.

COPYRIGHT - By Tyco Electronics Japan G.K. ALL RIGHTS RESERVED.

DIMENSIONS: mm	DWN T.SHINOHARA 23JUN11	MATERIAL SEE TABLE	FINISH —
	CHK K.BETSUI 23JUN11	<b>STE</b> TE Connectivity	
TOLERANCES UNLESS OTHERWISE SPECIFIED:	APVD K.BETSUI 23JUN11		
0 PLC ± -	PRODUCT SPEC —	NAME	RESTRICTED TO
1 PLC ± -	APPLICATION SPEC —	SIZE	—
2 PLC ± -	WEIGHT —	CAGE CODE	—
3 PLC ± -		DRAWING NO	—
4 PLC ± -		172746	—
ANGLES ± -			—
		SCALE	10:1
CUSTOMER DRAWING		SHEET	1 OF 1
		REV	A1