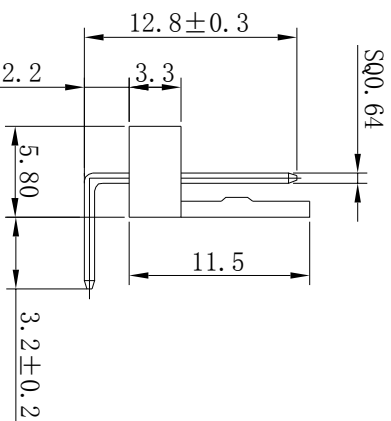
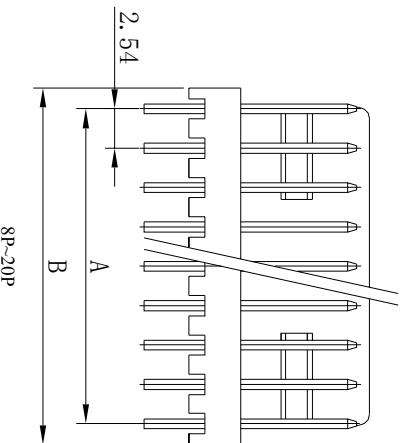
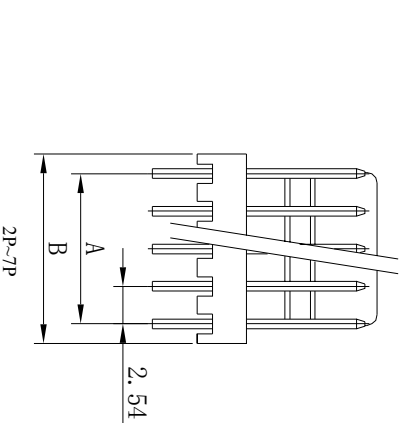


SPECIFICATIONS

Current rating: 3A AC/DC
 Voltage rating: 250V AC/DC
 Contact resistance: 20mΩ max.
 Withstand voltage: 1000V AC/min
 Insulation resistance: 1000MΩ/min.
 Temperature range: -25°C~+85°C


Material:

Part No: 2~20
 Post: Brass. Tin/plated
 Base: Nylon66 UL94V-2



Circuits	Part NO	Dimension(mm)	
		A	B
2	2510R-2P	2.54	5.08
3	2510R-3P	5.08	7.62
4	2510R-4P	7.62	10.16
5	2510R-5P	10.16	12.70
6	2510R-6P	12.70	15.24
7	2510R-7P	15.24	17.78
8	2510R-8P	17.78	20.32
9	2510R-9P	20.32	22.86
10	2510R-10P	22.86	25.40
11	2510R-11P	25.40	27.94
12	2510R-12P	27.94	30.48
13	2510R-13P	30.48	33.02
14	2510R-14P	33.02	35.56
15	2510R-15P	35.56	38.10
16	2510R-16P	38.10	40.64
17	2510R-17P	40.64	43.18
18	2510R-18P	43.18	45.72
19	2510R-19P	45.72	48.26
20	2510R-20P	48.26	50.82

APPROVED:	DATE:	TITLE: 2510R-XP			
CHECKED:	DATE:	CLIENT	P/N	SCALE	free
DRAWN: Juli-Liu	DATE: 2016-11-24	UNIT	mm	REV.	A
TOLERANCE TABLE		FILE NO.	/	WD00	
.0	±0.20				
.00	±0.15				
.000	±0.05				


 深圳市灿科盟实业有限公司
 CHANKLEMENT INDUSTRYCO., LTD