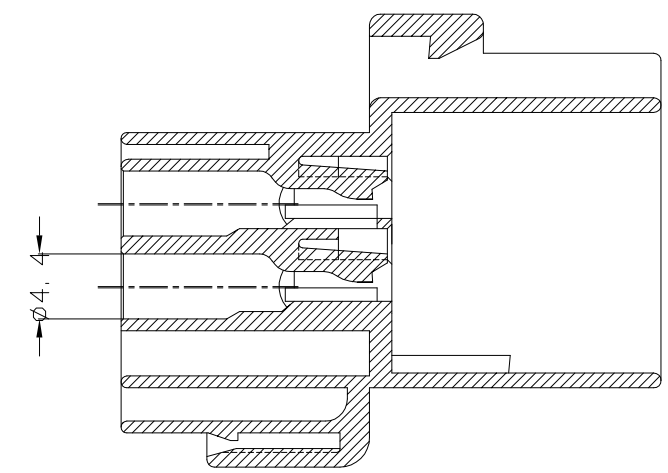
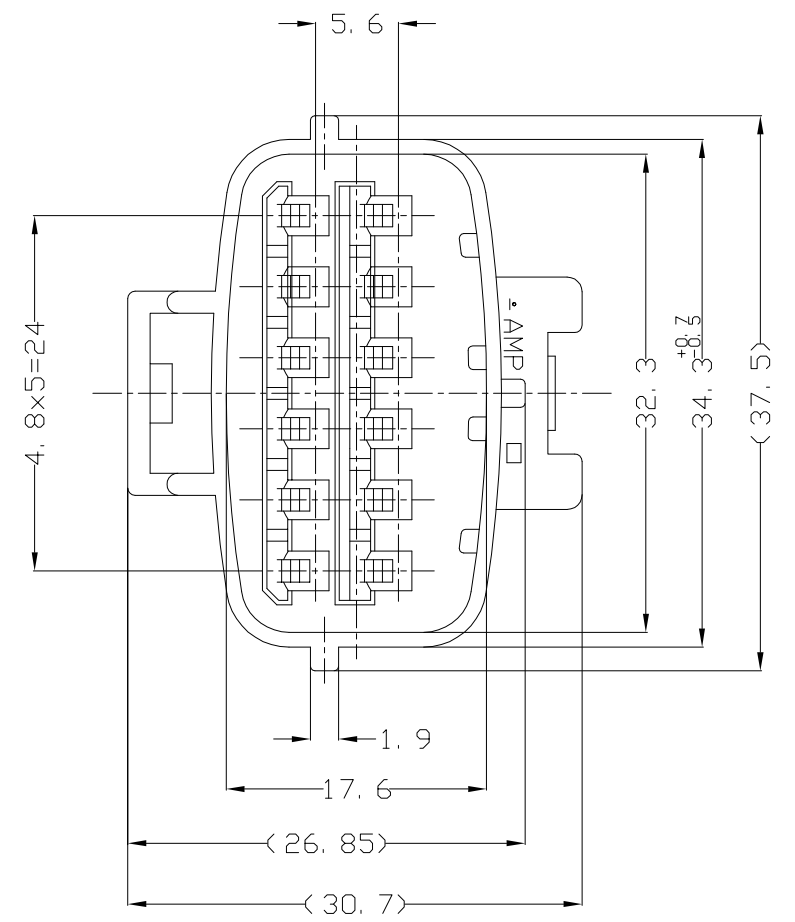
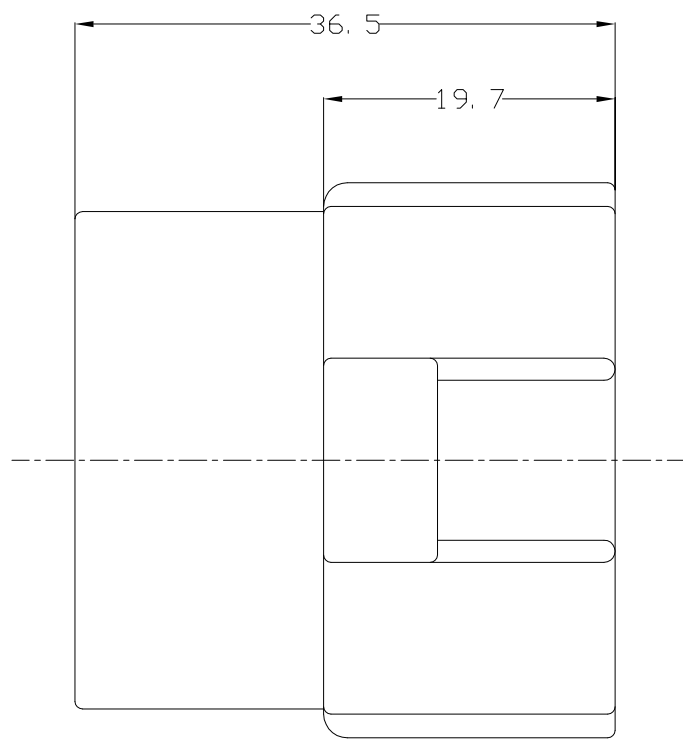
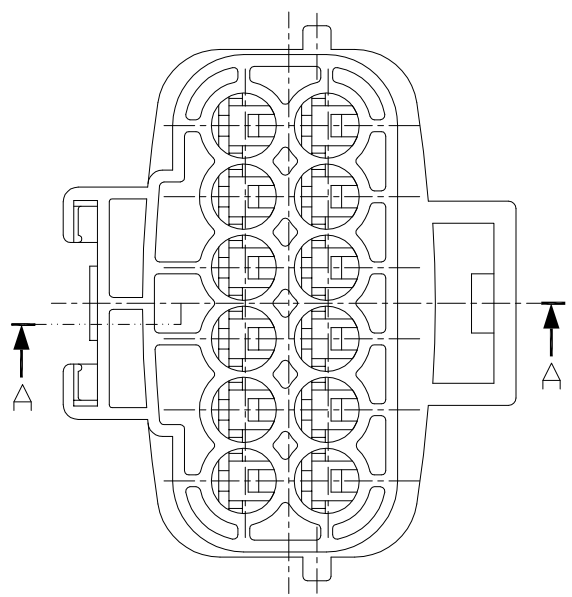
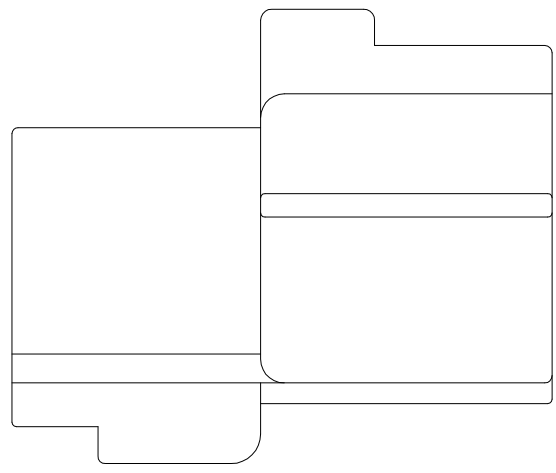


REVISIONS					
P	LTR	DESCRIPTION	DATE	DWN	APVD
	□	RELEASE ECN(FC00-0062-99)	19/MAY/'99	JW	CS
	A	REVISED (ECR-14-002001)	28. MAR. '14	JM	HG



SECTION A-A



- NOTE :
- FOR PLUG HOUSING (P/N 174660)
 - THIS PART MUST BE USED WITH DOUBLE PLATE (P/N 174664)

④ 0-368537-1	PBT	BLACK
PART NO.	MATERIAL	COLOR

THIS DRAWING IS CONTROLLED DOCUMENT FOR AMP INCORPORATED. IT IS SUBJECT TO CHANGE AND THE CONTROLLING ENGINEERING ORGANIZATION SHOULD BE CONTACTED FOR THE LATEST REVISION.		DWN JM JEON	TE Connectivity		
DIMENSIONS: MM TOLERANCES UNLESS OTHERWISE SPECIFIED: 0 <XX<10 ± 0.2 10<XX<30 ± 0.25 30<XX ± 0.3 ANGLES ± 3°		CHK JW JUNG			
3rd ANGLE PROJECTION		APVD HG CHD	NAME		
MATERIAL PBT		PRODUCT SPEC ---	12POS. CAP HOUSING ECONOSEAL J-MKII CONNECTOR		
FINISH		APPLICATION SPEC ---	SIZE A3	CAGE CODE 00779	DRAWING NO. 368537
		WEIGHT ---	SCALE 2:1 SHEET 1 OF 1 REV A		