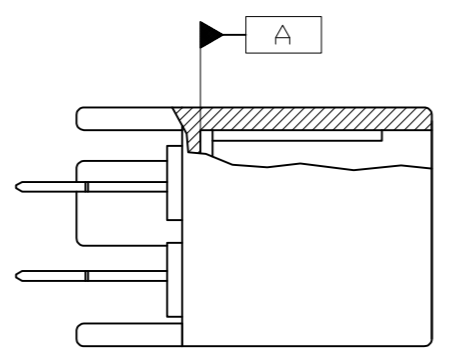
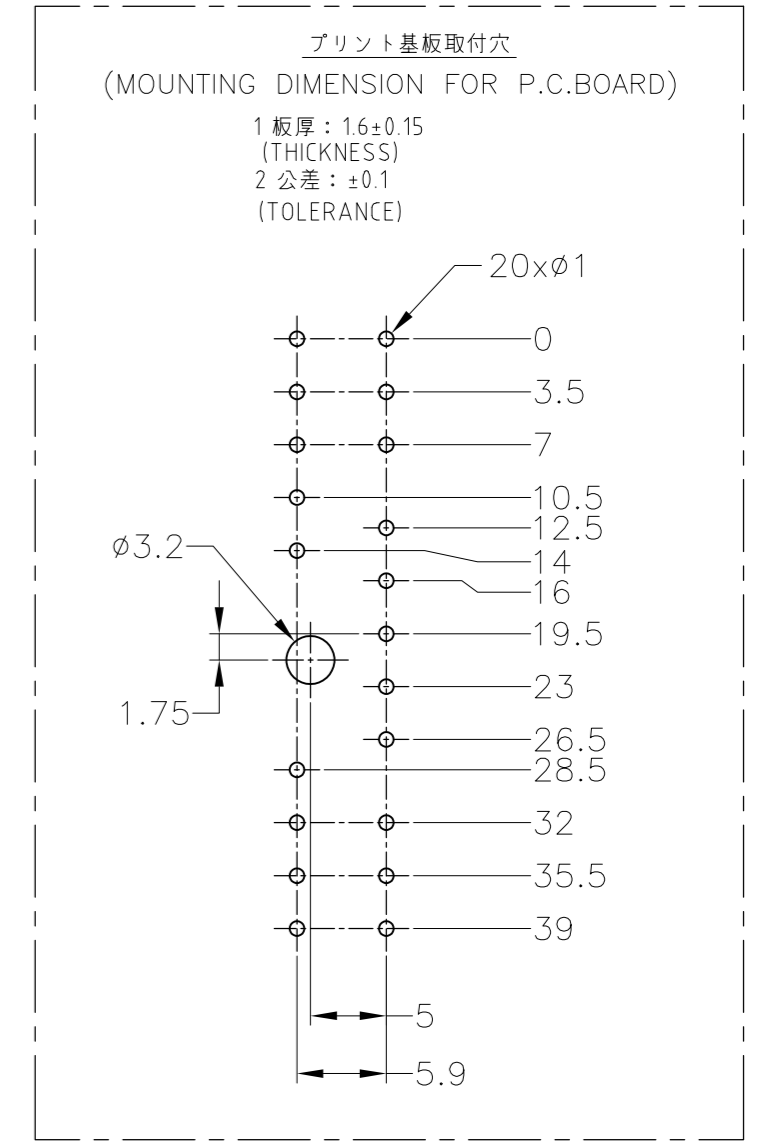
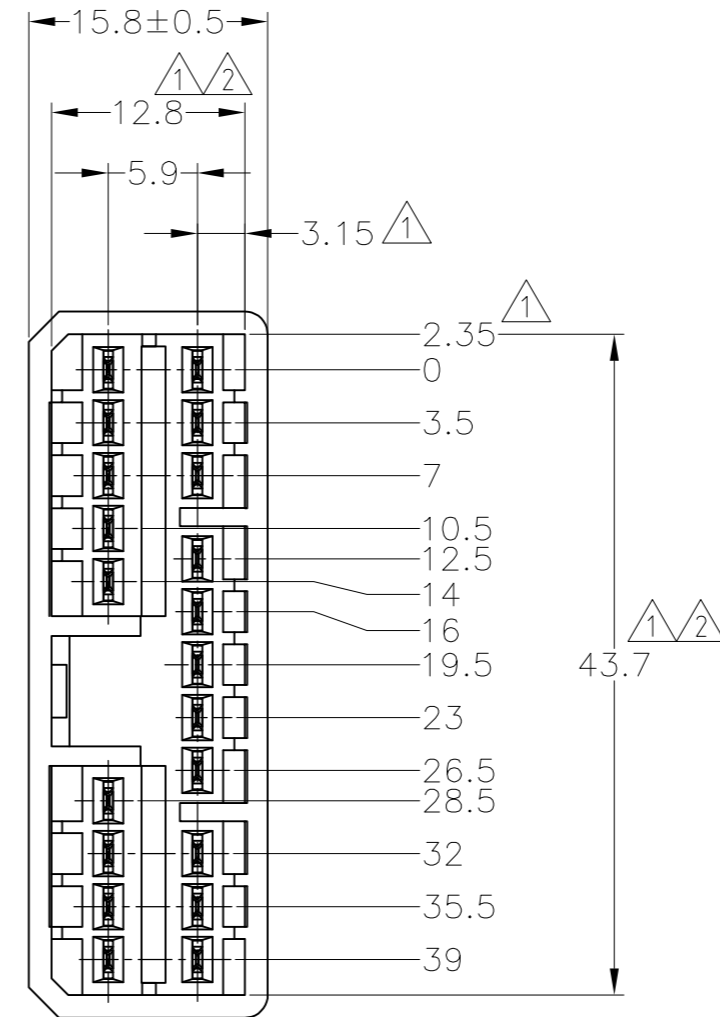
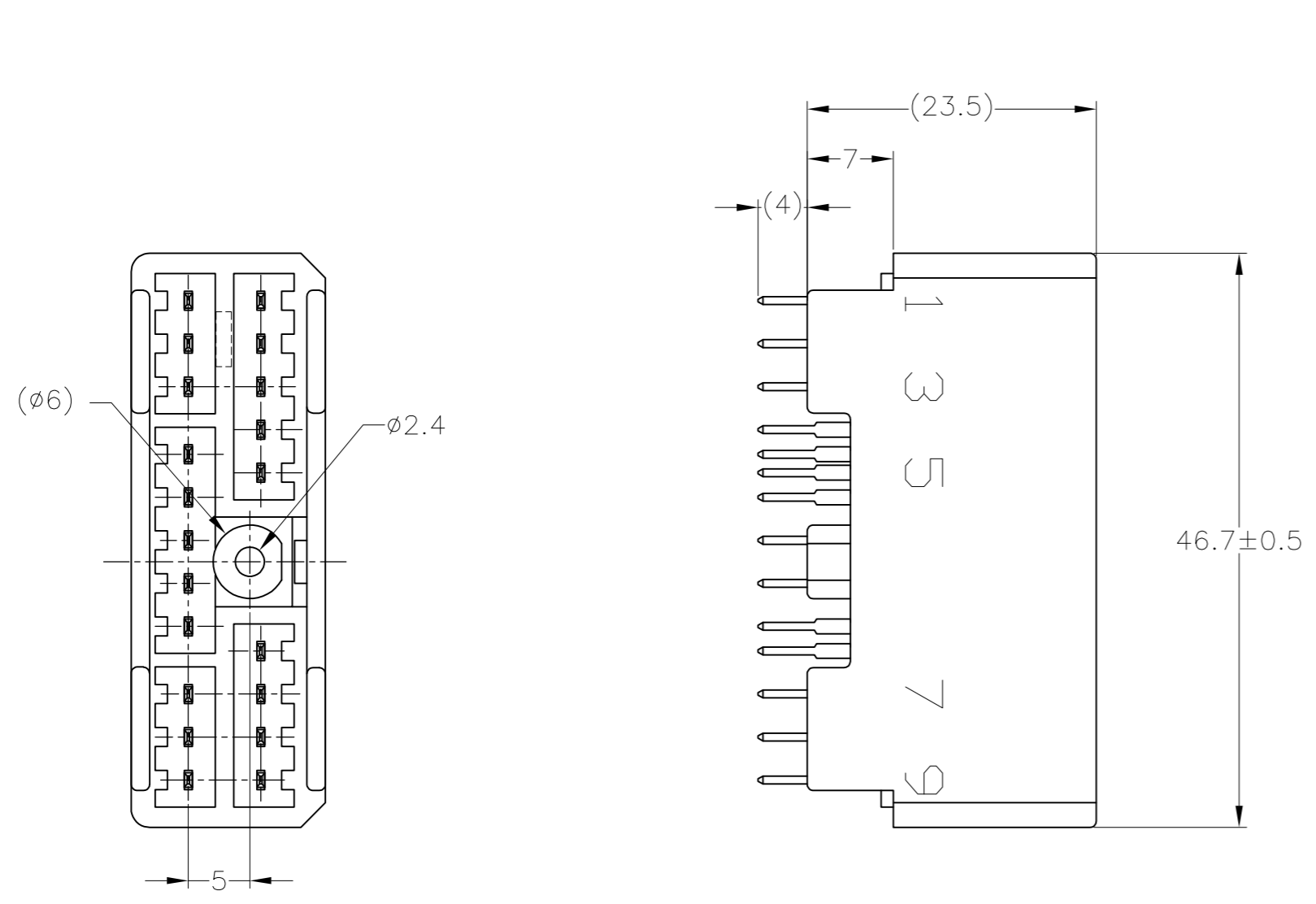


THIS DRAWING IS UNPUBLISHED. RELEASED FOR PUBLICATION
 © COPYRIGHT - By - ALL RIGHTS RESERVED.

LOC	DIST	REVISIONS					
		P	LTR	DESCRIPTION	DATE	DWN	APVD
J	-	E3		REVISED ECR-15-005789	15APR15	KF	RK



- △ A 面より2mmの範囲で測定。
- △ 相手ハウジングと所定の機能を満たして嵌合できること。
- 3. プリント基板への取付けは、JIS B1115又は1122, M3×6ナベ (2種又は4種)のタッピンネジで締付けた後ハンダ付けする。
- 4. 嵌合相手ハウジング型番：174952
- △ TO BE MEASURED BETWEEN [A] AND 2.
- △ TO BE MATED WITH PLUG HSG SMOOTHLY.
- 3. TO BE USE M3 TAPPING SCREW JIS B1115 OR 1122 (TYPE2 OR 4) BEFORE SOLDER.
- 4. APPLIDE PLUG HOUSING PART NUMBER : 174952

OBSOLETE	SELECTIVE-TIN (MATTE)	SELECTIVE GOLD x 20	NATURAL 自然色	2-5174960-1
	SELECTIVE-TIN	PRE-TIN x 20	NATURAL 自然色	3-174960-1
	TIN-LEAD	SELECTIVE GOLD x 20	NATURAL 自然色	2-174960-1
		PRE-TIN x 20	YELLOW 黄色	1-174960-7
		PRE-TIN x 20	GRAY 灰色	1-174960-6
		PRE-TIN x 20	NATURAL 自然色	1-174960-1
SOLDERING SIDE 半田付け面		CONTACT SIDE 接触部側		
CONTACT FINISH コンタクト仕上			COLOR 色	PART NUMBER 製品型番

TOLERANCE UNLESS OTHERWISE SPECIFIED: 一般公差

0 <= x <= 10 : ±0.2
 10 <= x <= 30 : ±0.25
 30 <= x <= 100 : ±0.3
 ANGLE : ±3°

THIS DRAWING IS A CONTROLLED DOCUMENT.

DIMENSIONS: 単位: 寸 mm

TOLERANCES UNLESS OTHERWISE SPECIFIED: 一般公差

0 PLC ±
 1 PLC ± -
 2 PLC ± -
 3 PLC ± -
 4 PLC ± -
 ANGLES ± -

MATERIAL 材料 HOUSING: PBT CONTACT: BRASS

FINISH 仕上 -

DWN T.SHINOHARA 26JUN07
 CHK K.BETSUI 26JUN07
 APVD K.BETSUI 26JUN07

PRODUCT SPEC 製品規格 108-5216
 APPLICATION SPEC 取付適用規格 412-5520

WEIGHT 10.6 g

CUSTOMER DRAWING

TE Connectivity

.070 SERIES MULTI-LOCK I/O CONN
 20POSITION CAP HSG ASSEMBLY
 VERTICAL TYPE

SIZE A2 CAGE CODE 00779 DRAWING NO 番号 C=174960 RESTRICTED TO -

SCALE 尺度 2:1 SHEET 1 OF 1 REV E3