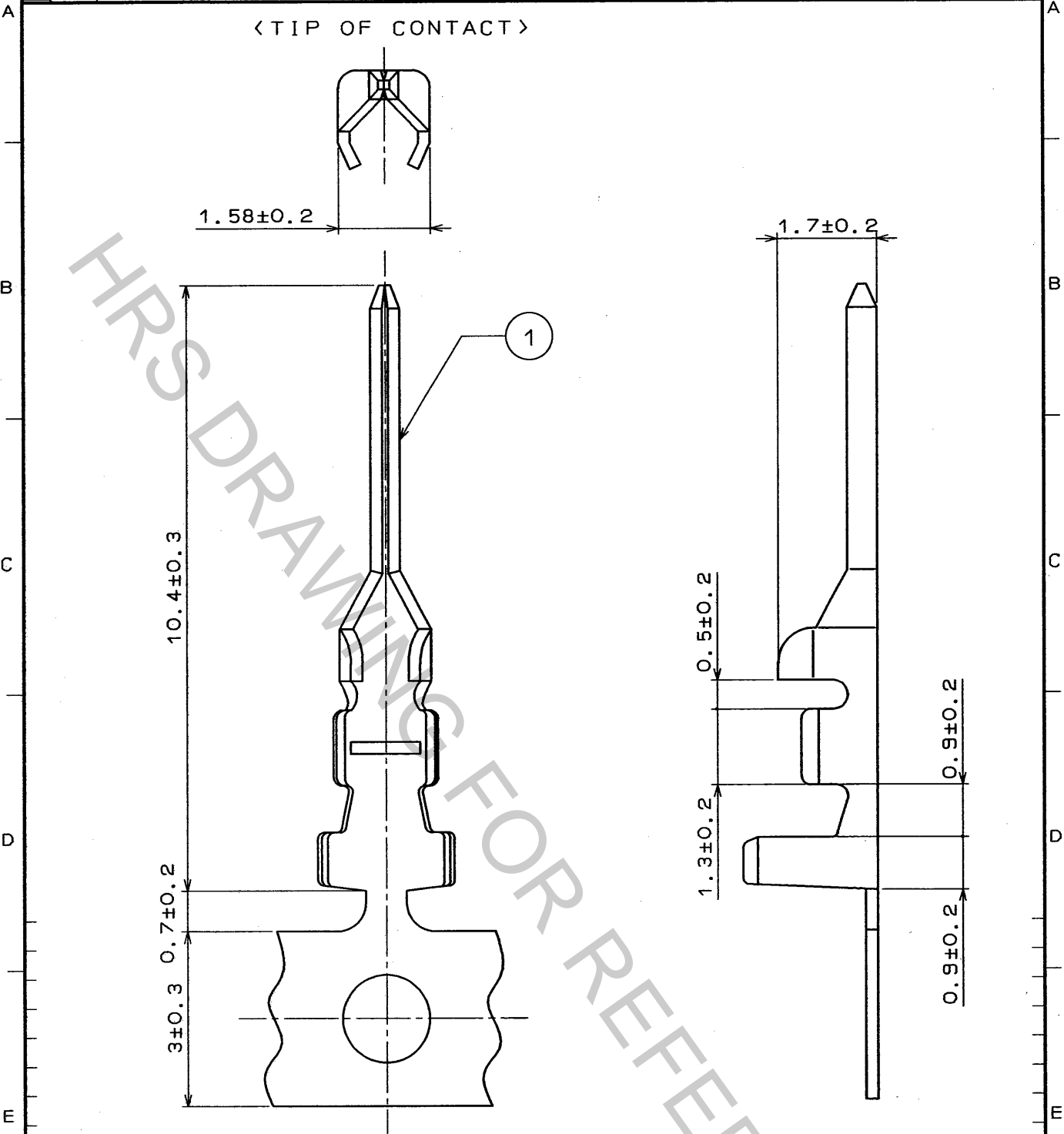


| 1 | 2 | 3 | 4 | | | | | | |
|-------|--------------------------|----|------|------|-------|--------------------------|----|------|------|
| COUNT | DESCRIPTION OF REVISIONS | BY | CHKD | DATE | COUNT | DESCRIPTION OF REVISIONS | BY | CHKD | DATE |
| △ | | | | .. | △ | | | | .. |
| △ | | | | .. | △ | | | | .. |
| △ | | | | .. | △ | | | | .. |



NOTE1. ONE REEL HAS 10000 PIECES OF CONTACTS.

| | | | | | | | | | | | |
|----------------|--|---------------------------|--|--------------------|--|------------------|--|------------------|--|-----------------|--|
| NO. | | MATERIAL | | FINISH, REMARKS | | NO. | | MATERIAL | | FINISH, REMARKS | |
| | | 1 | | PHOSPHOR BRONZE | | | | TIN PLATED | | | |
| CODE NO. (OLD) | | DRAWN | | DESIGNED | | CHECKED | | APPROVED | | RELEASED | |
| | | <i>T. Miyazaki</i> | | <i>T. Miyazaki</i> | | <i>C. Hanami</i> | | <i>H. Yamano</i> | | | |
| | | 94.9.29 | | 94.9.29 | | 94.10.3 | | 94.10.5 | | | |
| DRAWING NO. | | PART NO. | | CODE NO. | | | | | | | |
| EDC4-083343-02 | | DF11-EP2428PCF | | CL543-0615-4 | | | | | | | |
| UNITS | | HIROSE ELECTRIC CO., LTD. | | | | | | | | 1/1 | |
| mm | | HRS | | | | | | | | INC | |

| |
|----|
| TO |
| |
| |
| |