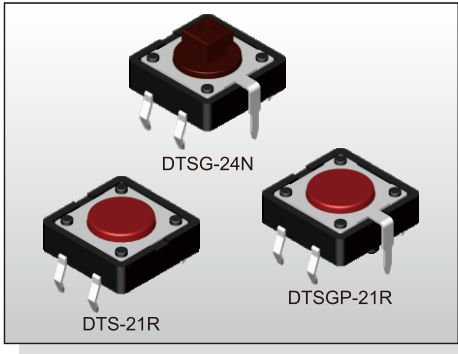


TACT SWITCH DTS(G)(P)-2 SERIES

12x12 Through Hole
With Ground Terminal Type



FEATURES

- ※ Snap in type with ground pin
- ※ Guide bosses available
- ※ Cap options

APPLICATION

- ※ Audio, OA equipment
- ※ Instrumentation
- ※ Industrial

SPECIFICATION

Contact Rating	50mA, 12V DC
Contact Resistance	100mΩ max.
Insulation Resistance	100MΩ min. 500V DC
Dielectric Strength	250V AC/1 minute
Operating Force	130±50gf, Black(K) 160±50gf, Brown(N) 260±50gf, Red(R) 320±80gf, Salmon(S) 520±130gf, Yellow(Y)
Travel	0.35mm
Operating Life	Phosphor Bronze Dome 100,000 cycles for 520/320/260gf 200,000 cycles for 160gf
	Stainless Steel Dome 300,000 cycles for 520/320gf 500,000 cycles for 260gf 1,000,000 cycles for 160gf 10,000,000 cycles for 130gf
Operating Temp.	-25°C ~ +70°C
Storage Temp.	-30°C ~ +80°C

HOW TO ORDER

D T S - **2** - - -

=Without Ground Pin
G=With Ground Pin

=Without Post
P=With Post

Dimension H:
1=4.30mm
3=7.40mm
4=7.30(SQ.)x3.80mm
5=8.50mm

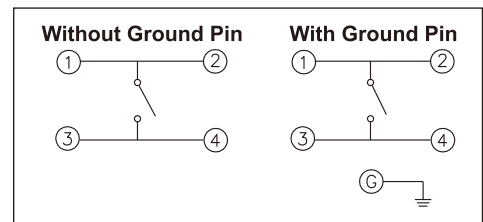
Package:
=Bulk pack
B=Tube (DTS-2 Only)

V=RoHS & Lead Free Solderable
Q=Halogen Free

=Phosphor Bronze Dome(Except 130gf)
S=Stainless Steel Dome

Operating Force:
K=Black, 130g
N=Brown, 160gf
R=Red, 260gf
S=Salmon, 320gf
Y=Yellow, 520gf

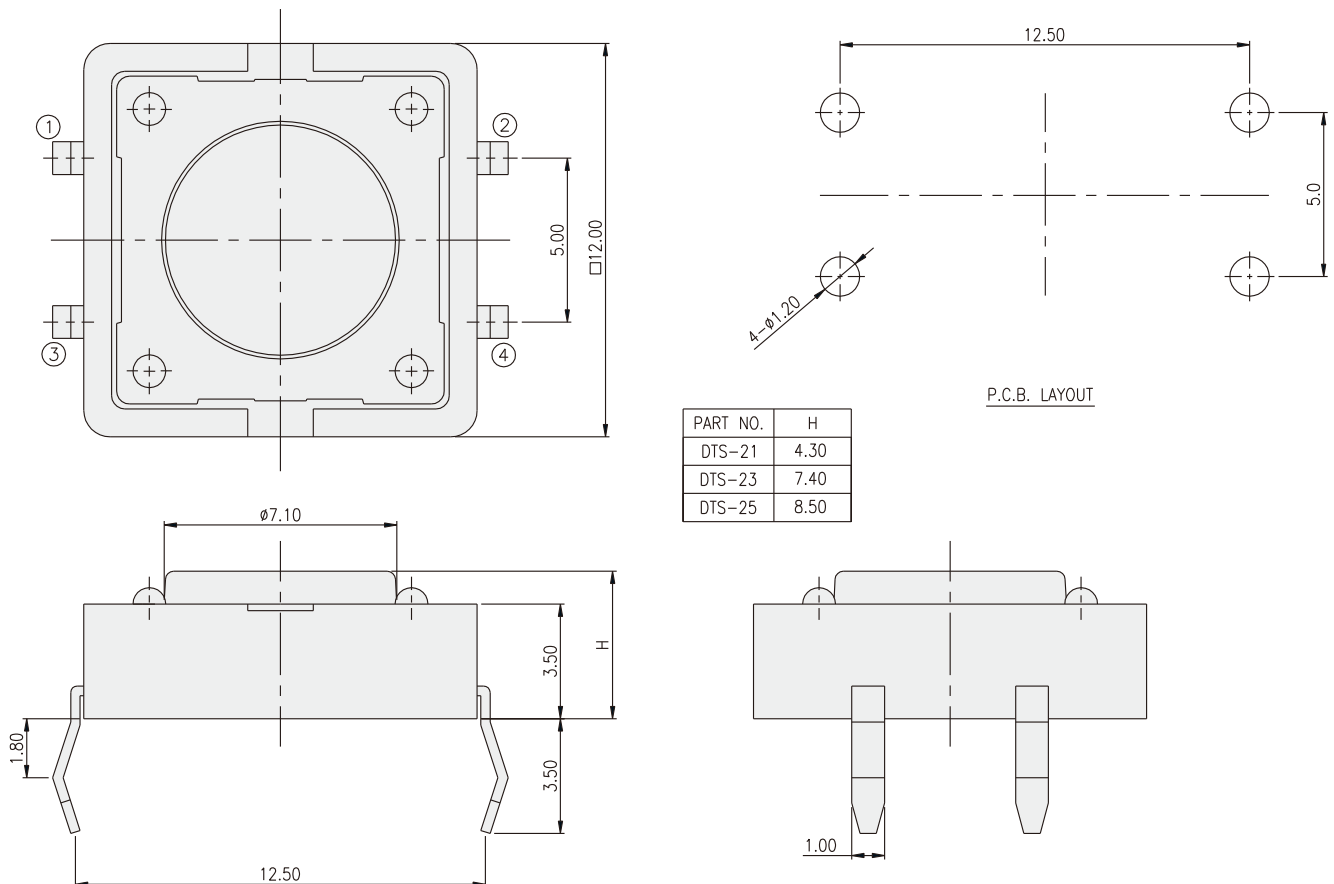
CIRCUIT



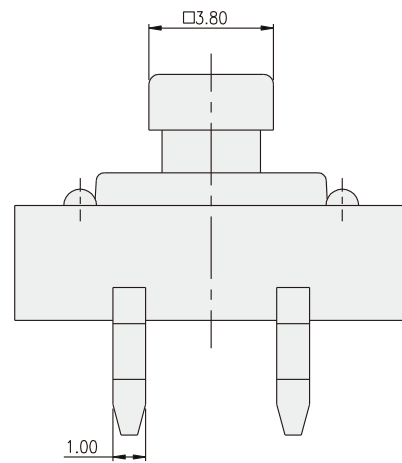
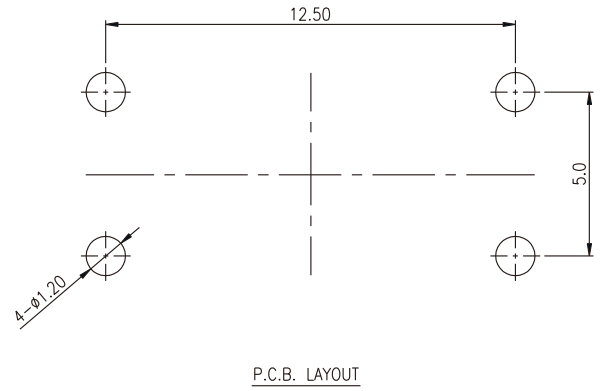
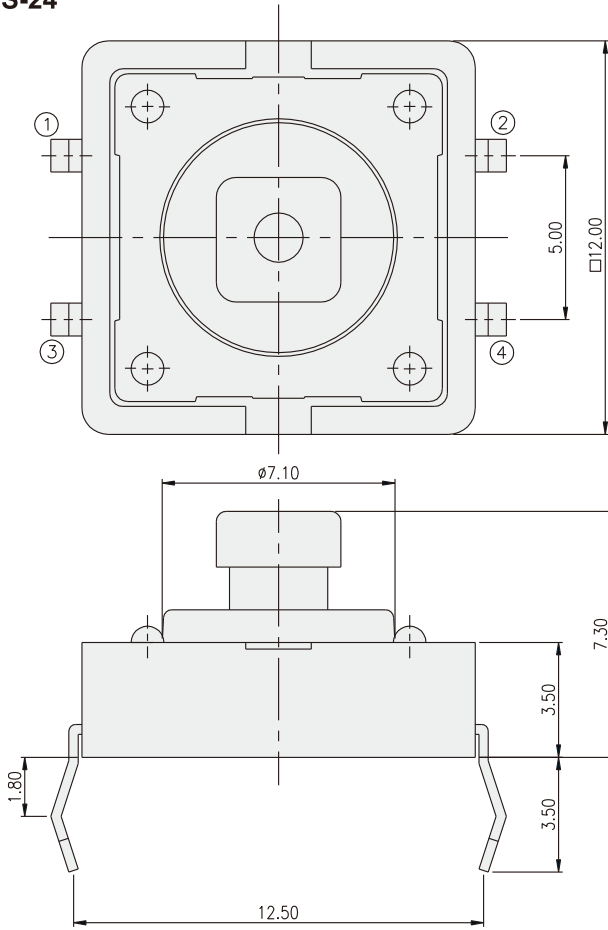
PACKAGE

<Bag>
500 pcs
<Tube>
DTS-2: 40 pcs

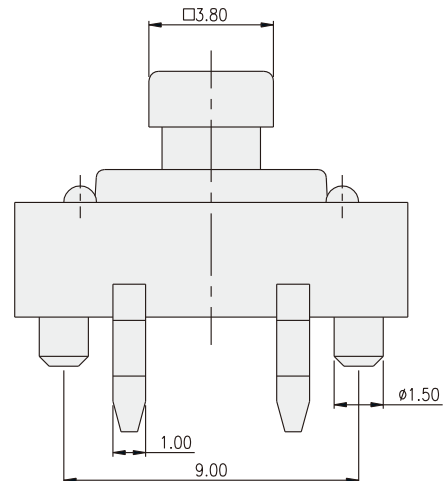
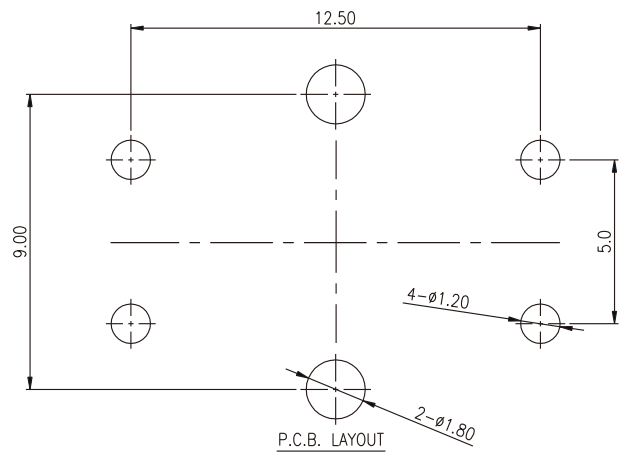
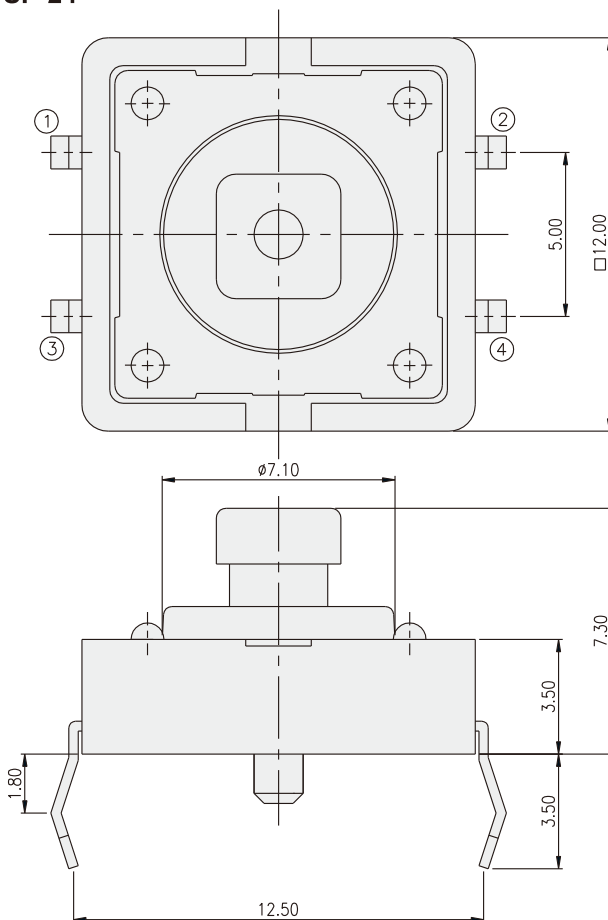
DTS-2



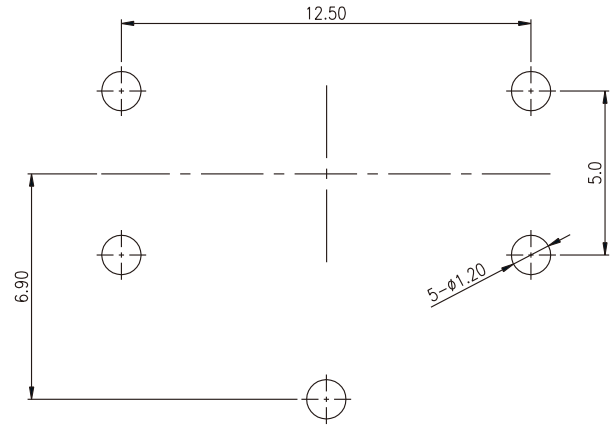
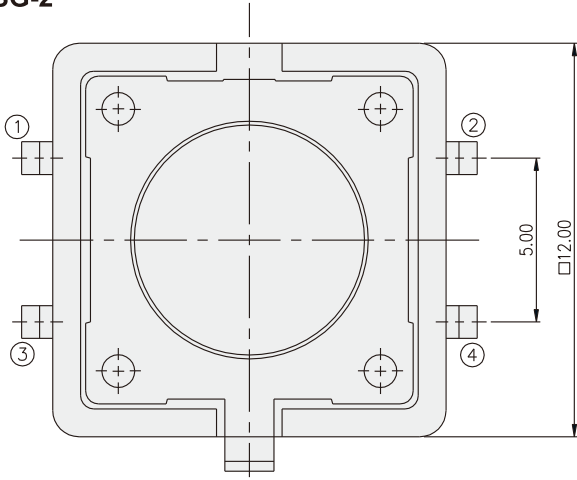
DTS-24



DTSP-24

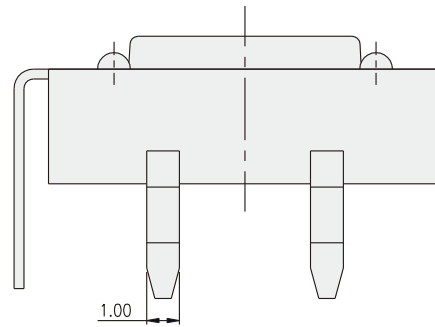
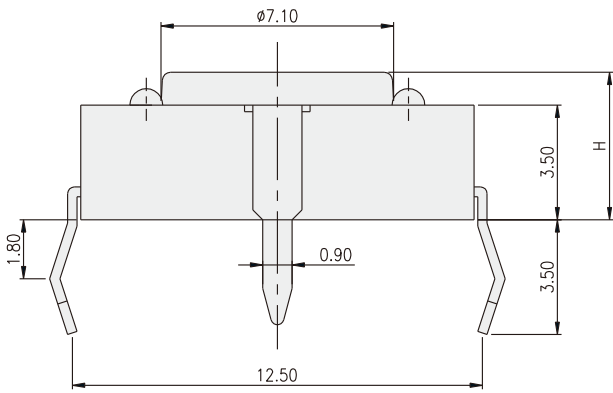


DTSG-2

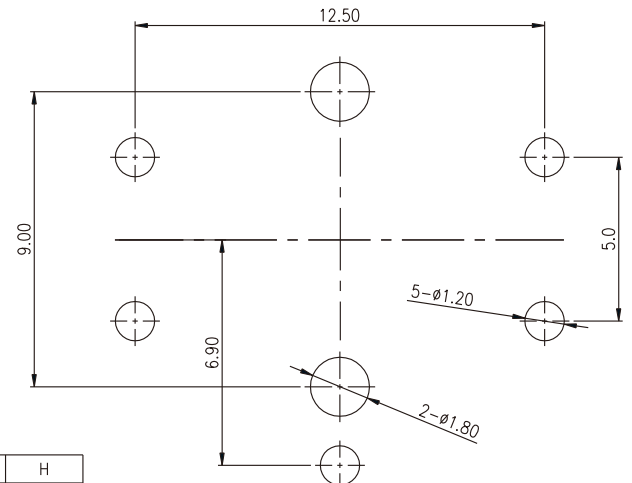
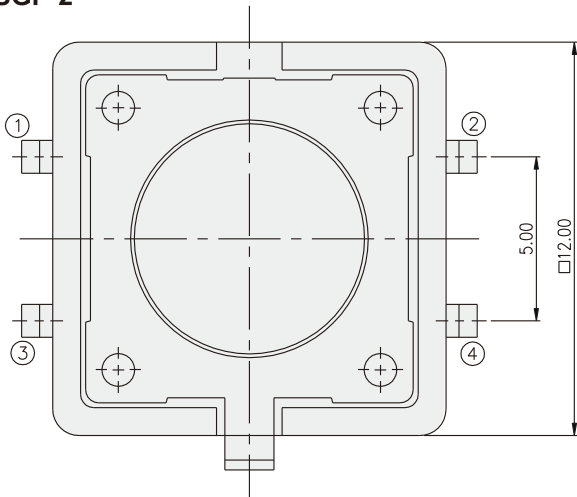


PART NO.	H
DTSG-21	4.30
DTSG-23	7.40
DTSG-25	8.50

P.C.B. LAYOUT



DTSGP-2



PART NO.	H
DTSGP-21	4.30
DTSGP-23	7.40
DTSGP-25	8.50

P.C.B. LAYOUT

