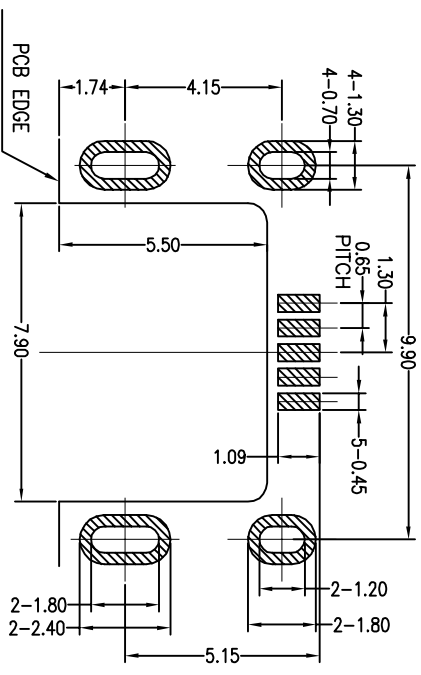
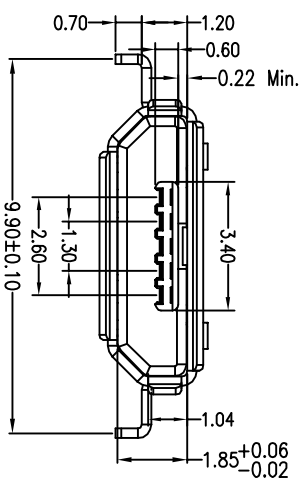
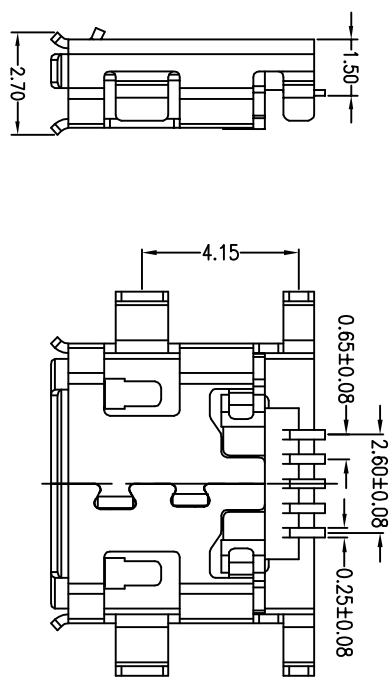
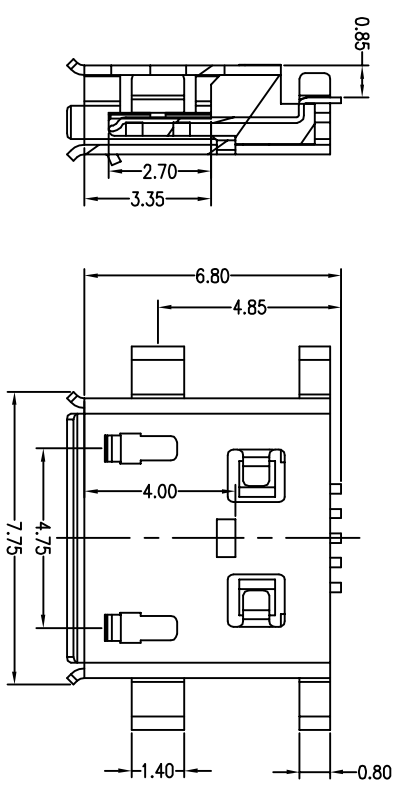
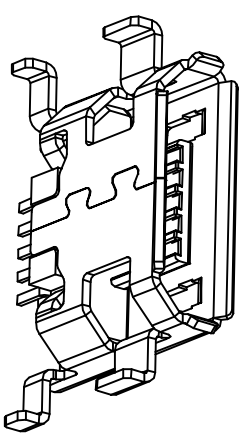
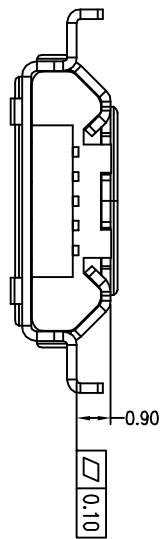


REV.	ECN NO	LOCATIONS	DESCRIPTION	DATE



- Note:
- Material:
 - Housing: High temperature thermoplastic with g.f.Ul94v-0
 - Contact: copper alloy,t=0.20mm
 - Shell: SUS304, t=0.25mm
 - Specification:
 - Current rating:1.5PIN 1.8A Max/2.3,4PIN 1 voltage: 100 V(ac) for 1 min.
 - Dielectric withstanding voltage: 100 V(ac) for 1 min.
 - Contact resistance: 30 mΩ Max.
 - Insulation resistance: 100 MΩ Min.
 - Total mating force: 3.57 Kgf Max.
 - Total unmating force: 1.0 Kgf Min.
 - Temperature range: -30°C~80°C

A 01 S B X X X X X X X X X X XX-289

- ① 外壳材料
 - ② 端子材料
 - ③ 1:100u''
 - ④ 2:20T100u''
 - ⑤ 3:10Au1u''(鍍)
 - ⑥ 4:Au1u''
 - ⑦ 主体电镀
 - ⑧ 05:Au5u''
 - ⑨ 10:Au10u''
 - ⑩ 15:Au15u''
 - ⑪ 30:Au30u''
- 7.SUS304R-1/2H
- 端子电镀 01:Au1u'';02:Au1.5u'';03:Au3u'';05:Au5u'';10:Au10u'';15:Au15u'';30:Au30u''
- 主体电镀 B:黑色
- 主体材料 1:1LP
- 端子材料 4:CS191R-0H

PART NO:	A01SBXXXXXX-289	MATERIAL:	SEE NOTE
MODEL NO:	FD147	FINISH:	SEE NOTE
UNIT:	MM	SIZE:	A4
TOLERANCE UNSPECIFIED		DR:	Xiaoyuhong
.X	0.10	CHK:	
.XX	0.05	APP:	
.XXX	0.03		
Ang	1°		

TITLE:		SCALE:	DATE:	REV:
MICRO USB 5S沉板0.9四脚全插		5:1	2012.06.09	A
DWG NO:		REV:		
A289		A		

深圳市精拓金电子有限公司