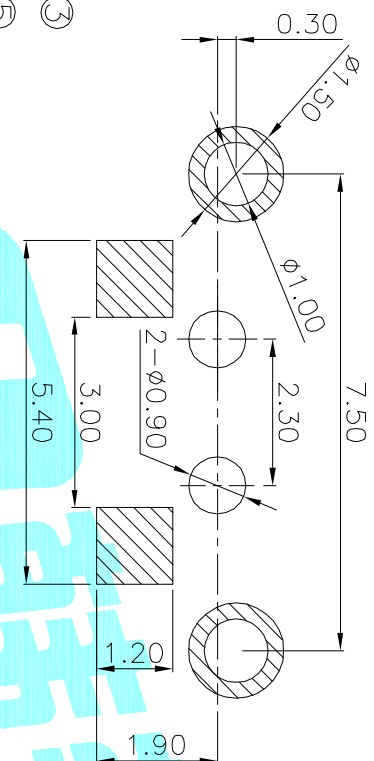
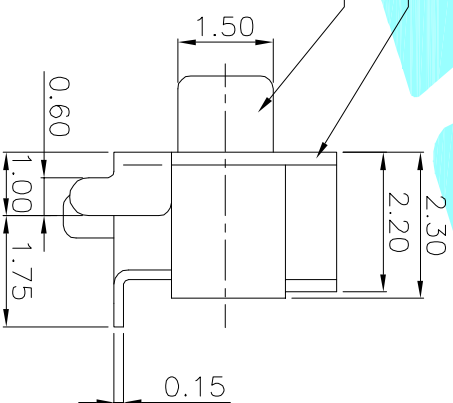
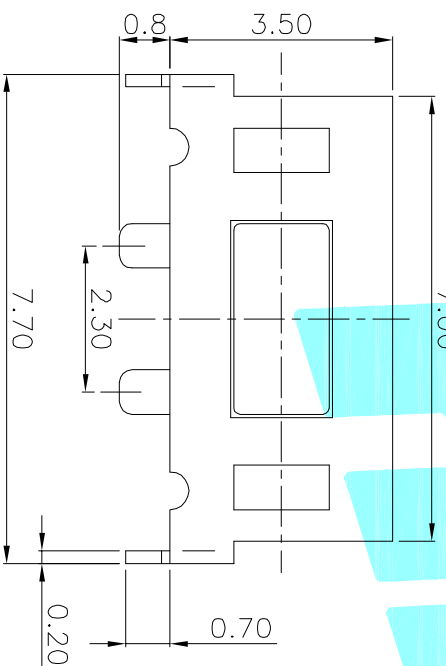
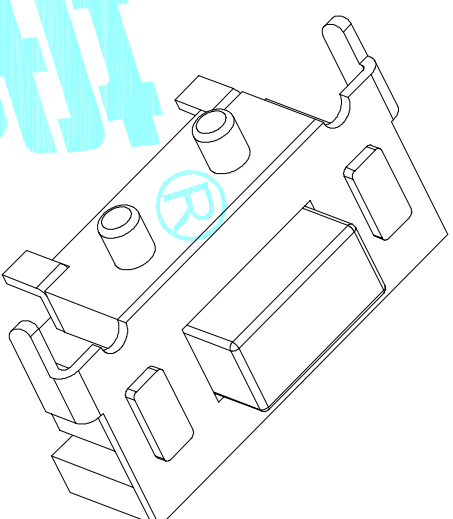


PCB Layout recommended

Circuit diagram



NO.1		NO.3-NO.4	
PART NO	vigor	PART NO	NOTE
1	90±30	01~99	SERIAL NUMBER
2	130±30		
3	180±30		
4	250±30		
5	350±50		

NO.2	
PART NO	MATERIAL/QTY
S	SUS/1PC
D	SUS/2PCS

1	90±30
2	130±30
3	180±30
4	250±30
5	350±50

ITEM	PART NAME	TER'NO.	QTY.	MATERIAL	FINISHING	REMARK
⑤	Terminal	—	2	Phosphor Bronze	Plating silver	
④	Contact	—	1	F.Ag/SUS	Natural	
③	Base	—	1	LCP	White	
②	Cover	—	1	Brass(0.20t)	Plating Nickel	
①	Keystroke	—	1	LCP	Black	

APPROVALS	DATE	TITLE:
DRAWN JKUN.LLU	2015.7.15	TACT SWITCHS

CHECKED	APPROVALS	PART NO.	SCALE:	PROJ:
		K2-1112SW-AD0W-00	1:1	

ECN NO.	REV.	DATE.	DESCRIPTION.	CHANGE.	CHECK.	APPRO.
	A		NEW			

TOLERANCES ARE	±0.30	±0.20	±0.15	±2'	DRAWING NO.	SHEET
30~12.5	10~30	5~10	~5			1 OF 1



ELECTRONICS CO.,LTD