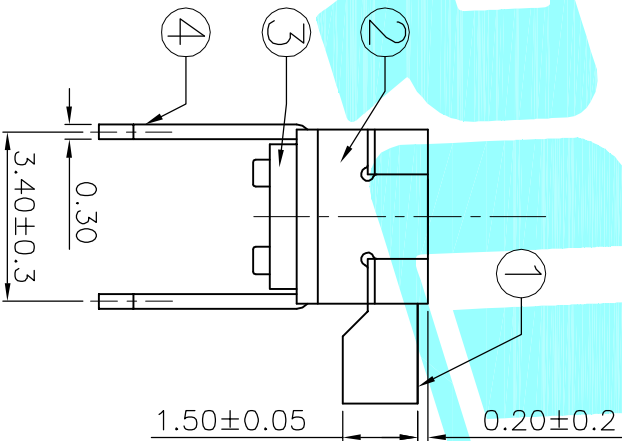
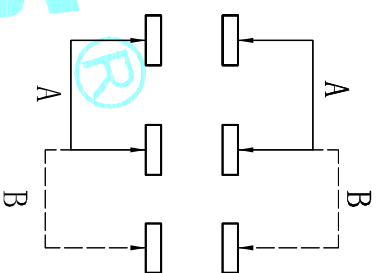


PCB Layout(Pattern side)



Circuit Diagram



PART NO.	L	Operating force
K3-2245D-F2	2	200±100gf
K3-2245D-K2	3	
K3-2245D-L2	4	

ITEM	PART NAME	TER'NO.	QTY.	MATERIAL	FINISHING	REMARK
⑤	Contact Spring	—	2	Beryllium copper	Ag Plated	—
④	Terminal	—	6	Brass Strip	Ag Plated	—
③	Base	—	1	NYLON	Black	—
②	Cover	—	1	SUS	Natural	—
①	KNOB	—	1	NYLON	White	—

APPROVALS		DATE
DRAWN	J.X.Zhang	2013/9/25

APPROVALS		TITLE:	PART NO.
CHECKED		TOGGLE SWITCHES	
APPROVALS			
TOLERANCES ARE		SCALE: 1:1	PROJ:
30~12.5	±0.30	ANGLE	
10~30	±0.20	UNIT: mm	
5~10	±0.15	DRAWING NO.	
~5	±0.10		SHEET 1 OF 1

ECN NO.	REV.	DATE.	DESCRIPTION.	CHANGE.	CHECK.	APPRO.
	A		NEW			



ELECTRONICS CO.,LTD