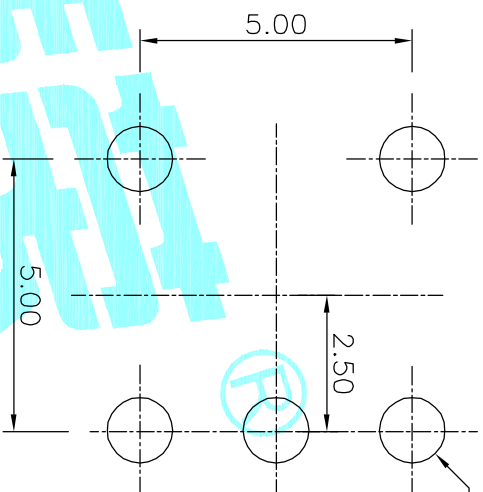
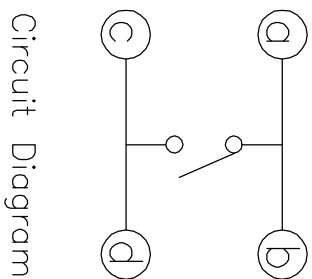
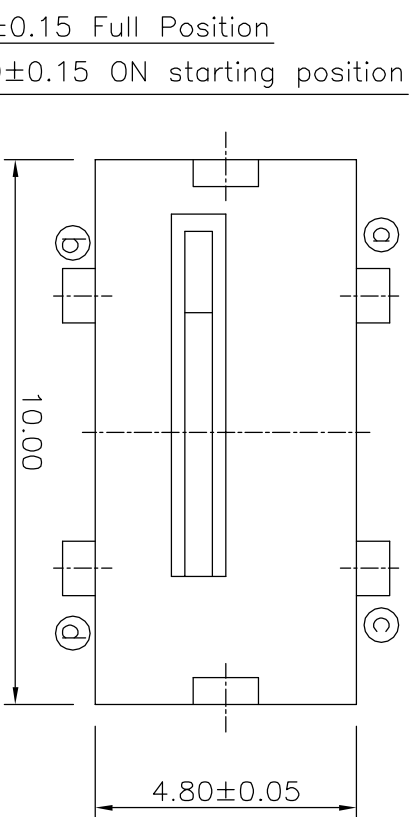
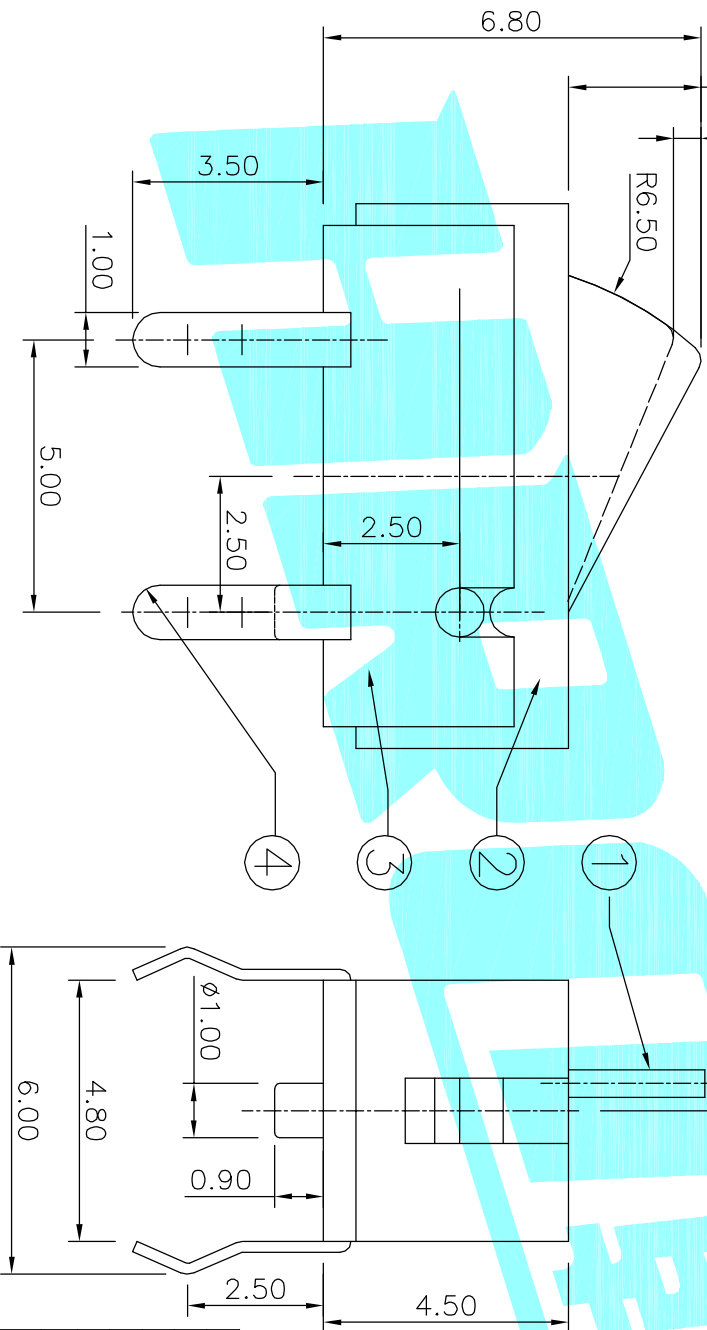


5- ϕ 1.20
Holes



PCB Layout(Pattern side)

NOTE:
Rating: DC 30V 0.1A
Operating Force: 30±10gf
Lifetime: 50,000 Cycles



PART NO.	
K5-1631DA-01	K5-1631DN-01

ITEM	PART NAME	TER'NO.	QTY.	MATERIAL	FINISHING	REMARK
⑤	Contact Spring	—	1	Be Alloy	Ag Plated	—
④	Terminal	—	4	Brass	Ag Plated	—
③	Housing	—	1	PA46	Black	—
②	Cover	—	1	PA46	Black	—
①	Slider	—	1	PA46	Black	—

APPROVALS		DATE
DRAWN	J.X.Zhang	2013/8/27
CHECKED		

APPROVALS		TITLE:	PART NO.	SCALE:	PROJ:
APPROVALS		DETECTOR SWITCHES	K5-1631D□-01	1:1	PROJ:
TOLERANCES ARE		30 ^{±0.15}	±0.30	ANGLE	
10 ^{±0.30}		±0.20		UNIT: mm	
5 ^{±0.10}		±0.15		DRAWING NO.	
~5		±0.10			SHEET 1 OF 1

ECN NO.	REV.	DATE.	DESCRIPTION.	CHANGE.	CHECK.	APPRO.
	A		NEW			