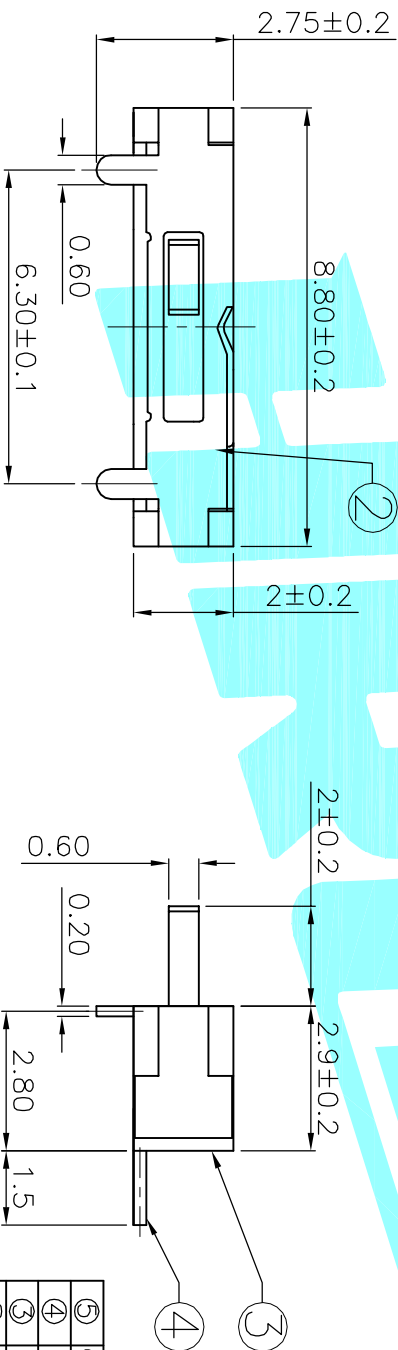


Circuit Diagram

PCB Layout (Pattern side)



NOTE:  
Operating force: 120±50gf

ITEM	PART NAME	TER'NO.	QTY.	MATERIAL	FINISHING	REMARK
⑤	Contact Spring	—	1	Beryllium copper	Ag Plated	—
④	Terminal	—	3	Brass Strip	Ag Plated	—
③	Base	—	1	NYLON	Black	—
②	Cover	—	1	SUS	Natural	—
①	KNOB	—	1	NYLON	White	—

APPROVALS		DATE
DRAWN	J.X.Zhang	2013/9/25

CHECKED		TITLE:	PART NO.	SCALE:	PROJ:
		TOGGLE SWITCHES	K3-1270S-F2	1:1	④
APPROVALS		ELECTRONICS CO.,LTD			
TOLERANCES ARE		30±0.15	±0.30	ANGLE	
10~30	±0.20			UNIT: mm	
5~10	±0.15	±2'		SCALE: 1:1	
~5	±0.10			DRAWING NO.	
				SHEET 1 OF 1	

ECN NO.	REV.	DATE.	DESCRIPTION.	CHANGE.	CHECK.	APPRO.
	A		NEW			