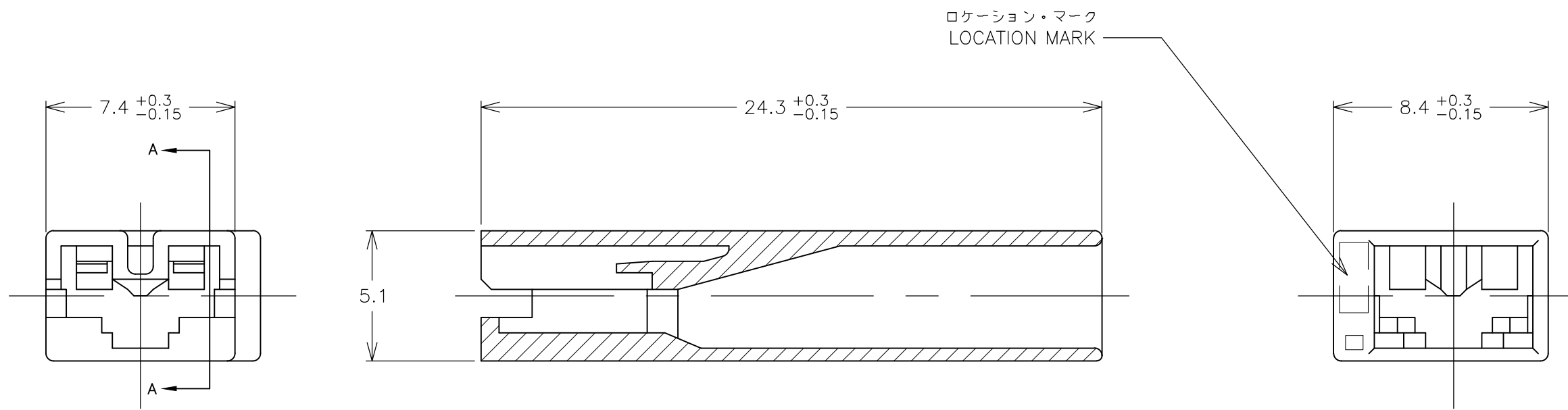


THIS DRAWING IS UNPUBLISHED. RELEASED FOR PUBLICATION FEB 2002.
 © COPYRIGHT 2002 By Tyco Electronics Japan G.K. ALL RIGHTS RESERVED.

REVISIONS 変更				
P	LTR	DESCRIPTION	DATE	APVD
	K4	REVISED PER ECR-17-018693	09MAY2018	SC BH



断面 A-A
(SECT. A-A)

- 注；
- 適用製品規格；108-5126
 - 本ハウジングに適用するコンタクトは 170324,170325,170326である。
 - 適用タブ寸法については CP78-26022 を参照のこと。
- ④ 材料：6/6ナイロン(UL94V-0)
 - ⑤ 材料：4/6ナイロン(UL94V-2)
 - ⑥ 材料：6/6ナイロンガラス入り(UL94V-0)

- NOTES;
- PRODUCT SPECIFICATION ; 108-5126
 - APPLICABLE CONTACT
P/N; 170324,170325,170326
 - SEE CP78-26022,ABOUT APPLICABLE TAB.
- ④ MATERIAL:6/6NYLON(UL94V-0)
 - ⑤ MATERIAL:4/6NYLON(UL94V-2)
 - ⑥ MATERIAL:6/6NYLON GLASS FILLED(UL94V-0)
- △ COMPLY WITH GLOW WIRE REQUIREMENT FOR PARTS OF NON-METALLIC MATERIAL SUPPORTING A CURRENT - CARRYING CONNECTION DETAILED IN IEC 60335-1, SECTION 30 (GWT)
- ⊕ PRELIMINARY- NOT FOR PRODUCTION
 - ⊖ MATERIAL : PA66, UL 94 V-0, GWIT 775°C

④	④	3-173974-7	RED
④	④	3-173974-6	BLUE
④	④	3-173974-1	NATURAL
④	④⑤	7-173974-1	(NATURAL)自然色
④		2-173974-6	(BLUE)青
④		2-173974-4	(YELLOW)黄
④		2-173974-1	(NATURAL)自然色
④		1-173974-1	(NATURAL)自然色
④		173974-7	(RED)赤
④		173974-6	(BLUE)青
④		173974-5	(GREEN)緑
④		173974-4	(YELLOW)黄
④		173974-2	(BLACK)黒
④		173974-1	(NATURAL)自然色
材料 (MATERIAL)		型番 (P/N)	色調 (COLOR)

THIS DRAWING IS A CONTROLLED DOCUMENT.		DWN M.SUZUKI 06FEB2002	STE TE Connectivity Ltd.	
DIMENSIONS: 単位： 耗 mm		CHK M.SHINDO 06FEB2002		
TOLERANCES UNLESS OTHERWISE SPECIFIED: 一般公差		APVD M.SHINDO 06FEB2002	NAME 名称	
0 PLQ ±		PRODUCT SPEC 製品規格	187 SERIES 1Pos. POSITIVE LOCK MARK-II HOUSING	
1 PLC ±		APPLICATION SPEC 取付適用規格	187シリーズ 1極 ポジティブロック(マークII)ハウジング	
2 PLC ± 0.3		WEIGHT	SIZE	CAGE CODE
3 PLC ±		CUSTOMER DRAWING	A3	00779
4 PLG ±			SCALE	SHEET
ANGLES ± 3°		FINISH 仕上	5:1	1 OF 1
MATERIAL 材料 SEE TABLE			DRAWING NO 番号 C-173974	RESTRICTED TO —