

# LM5161-Q1 Wide Input 100-V, 1-A Synchronous Buck/Fly-Buck™ Converter

## 1 Features

- Qualified for Automotive Applications
- AEC-Q100 Qualified With the Following Results:
  - Device Temperature Grade 1: –40°C to 125°C Ambient Operating Temperature Range
  - Device HBM ESD Classification Level 2
  - Device CDM ESD Classification Level C5
- Wide 4.5-V to 100-V Input Voltage Range
- Integrated High-Side and Low-Side Switches
  - No Schottky Diode Required
- 1-A Maximum Load Current
- Constant ON-Time Control
  - No External Loop Compensation
  - Fast Transient Response
- Selectable DCM Buck Operation at Light Load
- CCM Option Supports Multi-Output Fly-Buck™
- No External Ripple circuit needed (at FPWM = 0)
- Nearly Constant Switching Frequency
- Frequency Adjustable Up to 1 MHz
- Programmable Soft-Start Time
- Prebias Start-Up
- Peak Current Limiting Protection
- Adjustable Input UVLO and Hysteresis
- ±1% Feedback Voltage Reference
- Thermal Shutdown Protection
- Create a Custom Design Using the LM5161-Q1 With the [WEBENCH® Power Designer](#)

## 2 Applications

- Industrial Programmable Logic Controller
- IGBT Gate Drive Bias Supply
- Telecom DC/DC Primary/Secondary Side Bias
- E-Meter Power Line Communication
- Low-Power (<12W), Isolated DC-DC (Fly-Buck)
- Automotive Electronics

## 3 Description

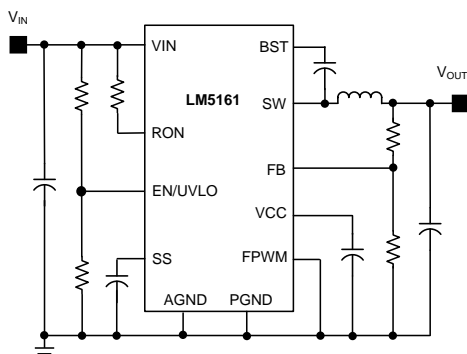
The LM5161-Q1 is a 100-V, 1-A synchronous step-down converter with integrated high-side and low-side MOSFETs. The constant-ON-time control scheme requires no loop compensation and supports high step-down ratios with fast transient response. An internal feedback amplifier maintains ±1% output voltage regulation over the entire operating temperature range. The ON-time varies inversely with input voltage resulting in nearly constant switching frequency. Peak and valley current limit circuits protect against overload conditions. The undervoltage lockout (EN/UVLO) circuit provides independently adjustable input undervoltage threshold and hysteresis. The FPWM input pin in LM5161-Q1 selects either the forced continuous conduction mode (CCM) under all load levels or the discontinuous conduction mode (DCM) under light or no load conditions. When operating in forced CCM, the LM5161-Q1 supports the multiple output and isolated Fly-Buck applications. When programmed for the DCM operation, the LM5161-Q1 provides a tightly regulated buck output without any additional external feedback ripple circuit.

### Device Information<sup>(1)</sup>

| PART NUMBER | PACKAGE     | BODY SIZE (NOM)   |
|-------------|-------------|-------------------|
| LM5161-Q1   | HTSSOP (14) | 4.40 mm x 5.00 mm |

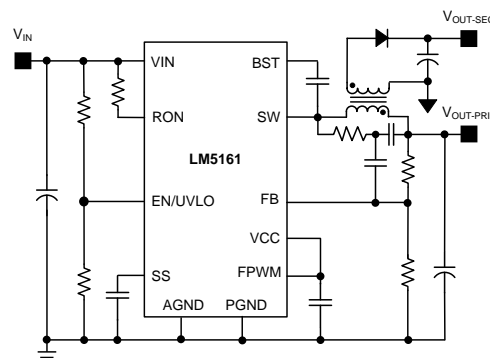
(1) For all available packages, see the orderable addendum at the end of the datasheet.

### Typical Buck Application Circuit



Copyright © 2016, Texas Instruments Incorporated

### Typical Fly-Buck Application Circuit



Copyright © 2016, Texas Instruments Incorporated



## Table of Contents

|  |           |  |           |
|--|-----------|--|-----------|
| <b>1 Features</b> .....                        | <b>1</b>  | <b>8 Applications and Implementation</b> .....                   | <b>18</b> |
| <b>2 Applications</b> .....                    | <b>1</b>  | 8.1 Application Information .....                                | 18        |
| <b>3 Description</b> .....                     | <b>1</b>  | 8.2 Typical Applications .....                                   | 18        |
| <b>4 Revision History</b> .....                | <b>2</b>  | 8.3 Do's and Don'ts .....  | 28        |
| <b>5 Pin Configuration and Functions</b> ..... | <b>3</b>  | <b>9 Power Supply Recommendations</b> .....                      | <b>29</b> |
| <b>6 Specifications</b> .....                  | <b>4</b>  | <b>10 Layout</b> .....   | <b>29</b> |
| 6.1 Absolute Maximum Ratings .....             | 4         | 10.1 Layout Guidelines .....                                     | 29        |
| 6.2 ESD Ratings .....                          | 4         | 10.2 Layout Example .....  | 30        |
| 6.3 Recommended Operating Conditions .....     | 4         | <b>11 Device and Documentation Support</b> .....                 | <b>31</b> |
| 6.4 Thermal Information .....                  | 4         | 11.1 Device Support .....  | 31        |
| 6.5 Electrical Characteristics .....           | 5         | 11.2 Related Documentation .....                                 | 31        |
| 6.6 Switching Characteristics .....            | 6         | 11.3 Trademarks .....  | 31        |
| 6.7 Typical Characteristics .....              | 7         | 11.4 Receiving Notification of Documentation Updates .....       | 31        |
| <b>7 Detailed Description</b> .....            | <b>11</b> | 11.5 Community Resources .....                                   | 31        |
| 7.1 Overview .....                             | 11        | 11.6 Electrostatic Discharge Caution .....                       | 31        |
| 7.2 Functional Block Diagram .....             | 11        | 11.7 Glossary .....  | 32        |
| 7.3 Feature Description .....                  | 12        | <b>12 Mechanical, Packaging, and Orderable Information</b> ..... | <b>32</b> |
| 7.4 Device Functional Modes .....              | 16        |  |           |

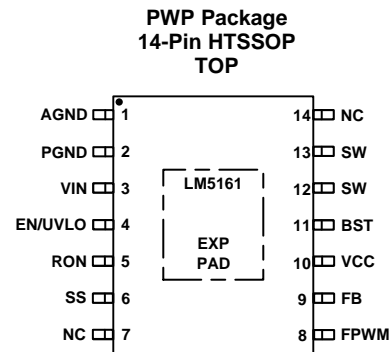
## 4 Revision History

### Changes from Original (August 2016) to Revision A

**Page**

|   |           |
|---|-----------|
| • Added WEBENCH links to the data sheet .....                                       | <b>1</b>  |
| • Deleted the lead temperature from the <i>Absolute Maximum Ratings</i> table ..... | <b>4</b>  |
| • Moved <i>Ripple Configuration</i> to the <i>Feature Description</i> section ..... | <b>15</b> |

## 5 Pin Configuration and Functions



Copyright © 2016, Texas Instruments Incorporated

### Pin Functions

| PIN     |        | I/O | DESCRIPTION  |
|---------|--------|-----|--|
| NAME    | HTSSOP |     |  |
| AGND    | 1      | -   | Analog Ground. Ground connection of internal control circuits.   |
| PGND    | 2      | -   | Power Ground. Ground connection of the internal synchronous rectifier FET.   |
| VIN     | 3      | I   | Input supply connection. Operating input range is 4.5-V to 100-V.  |
| EN/UVLO | 4      | I   | Precision enable. Input pin of undervoltage lockout (UVLO) comparator.   |
| RON     | 5      | I   | On-time programming pin. A resistor between this pin and VIN sets the switch ON-time as a function of input voltage.   |
| SS      | 6      | I   | Softstart. Connect a capacitor from SS to AGND to control output rise time and limit overshoot.  |
| FPWM    | 8      | I   | Forced PWM logic input pin. Connect to AGND for discontinuous conduction mode (DCM) with light loads. Connect to VCC for continuous conduction mode (CCM) at all loads and Fly-Buck configuration. |
| FB      | 9      | I   | Feedback input of voltage regulation comparator.   |
| VCC     | 10     | O   | Internal high voltage start-up regulator bypass capacitor pin.   |
| BST     | 11     | I   | Bootstrap capacitor pin. Connect a capacitor between BST and SW to bias gate driver of high-side buck FET.   |
| SW      | 12,13  | O   | Switch node. Source connection of high side buck FET and drain connection of low-side synchronous rectifier FET.   |
| NC      | 7,14   |     | No Connection.   |
| EP      | -      |     | Exposed Pad. Connect to AGND and printed-circuit board ground plane to improve power dissipation.  |

## 6 Specifications

### 6.1 Absolute Maximum Ratings<sup>(1)(2)</sup>

|   |                              | MIN  | MAX | UNIT |
|---|------------------------------|------|-----|------|
| Input voltage                               | VIN to AGND                  | –0.3 | 100 | V    |
|   | EN/UVLO to AGND              | –0.3 | 100 |      |
|   | RON to AGND                  | –0.3 | 100 |      |
|   | BST to AGND                  | –0.3 | 114 |      |
|   | VCC to AGND                  | –0.3 | 14  |      |
|   | FPWM to AGND                 | –0.3 | 14  |      |
|   | SS to AGND                   | –0.3 | 7   |      |
|   | FB to AGND                   | –0.3 | 7   |      |
| Output voltage                              | BST to SW                    | –0.3 | 14  | V    |
|   | BST to VCC                   |      | 100 |      |
|   | SW to AGND                   | –1.5 | 100 |      |
|   | SW to AGND (20-ns transient) | –3   |     |      |
| Maximum junction temperature <sup>(3)</sup> |                              | –40  | 150 | °C   |
| Storage temperature T <sub>stg</sub>        |                              | –65  | 150 | °C   |

- (1) Stresses beyond those listed under *Absolute Maximum Ratings* may cause permanent damage to the device. These are stress ratings only, which do not imply functional operation of the device at these or any other conditions beyond those indicated under *Recommended Operating Conditions*. Exposure to absolute-maximum-rated conditions for extended periods may affect device reliability.
- (2) If Military/Aerospace specified devices are required, please contact the Texas Instruments Sales Office/ Distributors for availability and specifications.
- (3) High junction temperatures degrade operating lifetimes. Operating lifetime is de-rated for junction temperatures greater than 125°C.

### 6.2 ESD Ratings

|  |   | VALUE | UNIT |
|--|---|-------|------|
| V <sub>(ESD)</sub> Electrostatic discharge | Human-body model (HBM), per AEC Q100-002 <sup>(1)</sup> | ±2000 | V    |
|  | Charged-device model (CDM), per AEC Q100-011            | ±750  |      |

- (1) AEC Q100-002 indicates that HBM stressing shall be in accordance with the ANSI/ESDA/JEDEC JS-001 specification.

### 6.3 Recommended Operating Conditions<sup>(1)</sup>

Over operating free-air temperature range (unless otherwise noted)

|   | MIN | NOM | MAX | UNIT |
|---|-----|-----|-----|------|
| V <sub>IN</sub> input voltage                 | 4.5 |     | 100 | V    |
| I <sub>O</sub> output current                 |     |     | 1   | A    |
| External V <sub>CC</sub> bias voltage         | 9   |     | 13  | V    |
| Operating junction temperature <sup>(2)</sup> | –40 |     | 150 | °C   |

- (1) *Recommended Operating Conditions* are conditions under the device is intended to be functional. For specifications and test conditions, see [Electrical Characteristics](#)
- (2) High junction temperatures degrade operating lifetimes. Operating lifetime is de-rated for junction temperatures greater than 125°C.

### 6.4 Thermal Information<sup>(1)</sup>

| THERMAL METRIC      |   | LM5161-Q1    | UNIT |
|---------------------|---|--------------|------|
|                     |   | PWP (HTSSOP) |      |
|                     |   | 14 PINS      |      |
| R <sub>θJA</sub>    | Junction-to-ambient thermal resistance <sup>(1)</sup>       | 39.3         | °C/W |
| R <sub>θJcbot</sub> | Junction-to-case (bottom) thermal resistance <sup>(1)</sup> | 2.0          | °C/W |
| ψ <sub>JB</sub>     | Junction-to-board thermal characteristic parameter          | 19.3         | °C/W |
| R <sub>θJB</sub>    | Junction-to-board thermal resistance                        | 19.6         | °C/W |

- (1) For more information about traditional and new thermal metrics, see the [Semiconductor and IC Package Thermal Metrics](#) application report.

**Thermal Information<sup>(1)</sup> (continued)**

| THERMAL METRIC      |  | LM5161-Q1    | UNIT |
|---------------------|--|--------------|------|
|                     |  | PWP (HTSSOP) |      |
|                     |  | 14 PINS      |      |
| R <sub>θJCtop</sub> | Junction-to-case (top) thermal resistance        | 22.8         | °C/W |
| ψ <sub>JT</sub>     | Junction-to-top thermal characteristic parameter | 0.5          | °C/W |

**6.5 Electrical Characteristics**

Typical values correspond to T<sub>J</sub> = 25°C. Minimum and maximum limits apply over T<sub>J</sub> = –40°C to 125°C<sup>(1)(2)</sup> for LM5161-Q1. Unless otherwise stated, V<sub>IN</sub> = 48 V.<sup>(1)(2)</sup>

| PARAMETER  |                                   | TEST CONDITIONS                                       | MIN   | TYP  | MAX   | UNIT |
|--|-----------------------------------|---|-------|------|-------|------|
| <b>SUPPLY CURRENT</b>                              |                                   |   |       |      |       |      |
| I <sub>SD</sub>                                    | Input shutdown current            | V <sub>IN</sub> = 48 V, EN/UVLO = 0 V                 |       | 50   | 90    | μA   |
| I <sub>OP</sub>                                    | Input operating current           | V <sub>IN</sub> = 48 V, FB = 3 V, Non-switching       |       | 2.3  | 2.8   | mA   |
| <b>VCC SUPPLY</b>                                  |                                   |   |       |      |       |      |
| V <sub>CC</sub>                                    | Bias regulator output             | V <sub>IN</sub> = 48 V, I <sub>CC</sub> = 20 mA       | 6.3   | 7.3  | 8.5   | V    |
| V <sub>CC</sub>                                    | Bias regulator current limit      | V <sub>IN</sub> = 48 V                                | 30    |      |       | mA   |
| V <sub>CC(UV)</sub>                                | VCC undervoltage threshold        | V <sub>CC</sub> rising                                |       | 3.98 | 4.1   | V    |
| V <sub>CC(HYS)</sub>                               | VCC undervoltage hysteresis       | V <sub>CC</sub> falling                               |       | 185  |       | mV   |
| V <sub>CC(LDO)</sub>                               | VIN - VCC dropout voltage         | V <sub>IN</sub> = 4.5 V, I <sub>CC</sub> = 20 mA      |       | 200  | 340   | mV   |
| <b>HIGH-SIDE FET</b>                               |                                   |   |       |      |       |      |
| R <sub>DS(ON)</sub>                                | High-side on resistance           | V <sub>(BST - SW)</sub> = 7 V, I <sub>SW</sub> = 0.5A |       | 0.58 |       | Ω    |
| BST <sub>(UV)</sub>                                | Bootstrap gate drive UV           | V <sub>(BST - SW)</sub> rising                        |       | 2.93 | 3.6   | V    |
| BST <sub>(HYS)</sub>                               | Gate drive UV hysteresis          | V <sub>(BST - SW)</sub> falling                       |       | 200  |       | mV   |
| <b>LOW-SIDE FET</b>                                |                                   |   |       |      |       |      |
| R <sub>DS(ON)</sub>                                | Low-side on resistance            | I <sub>SW</sub> = 0.5 A                               |       | 0.24 |       | Ω    |
| <b>HIGH-SIDE CURRENT LIMIT</b>                     |                                   |   |       |      |       |      |
| I <sub>LIM(HS)</sub>                               | High-side current limit threshold |   | 1.3   | 1.61 | 1.9   | A    |
| T <sub>RES</sub>                                   | Current limit response time       | I <sub>LIM(HS)</sub> threshold detect to FET turn-off |       | 100  |       | ns   |
| T <sub>OFF</sub>                                   | Current limit forced off-time     | FB = 0 V, V <sub>IN</sub> = 72 V                      | 13    | 16.5 | 21    | μs   |
| T <sub>OFF1</sub>                                  | Current limit forced off-time     | FB = 0.1 V, V <sub>IN</sub> = 72 V                    | 10    | 13   | 17    | μs   |
| T <sub>OFF2</sub>                                  | Current limit forced off-time     | FB = 1 V, V <sub>IN</sub> = 72 V                      | 2     | 2.7  | 4.1   | μs   |
| <b>LOW-SIDE CURRENT LIMIT</b>                      |                                   |   |       |      |       |      |
| I <sub>SOURCE(LS)</sub>                            | Sourcing current limit            |   | 1.3   | 1.6  | 1.9   | A    |
| I <sub>SINK(LS)</sub>                              | Sinking current limit             |   |       | 3    |       |      |
| <b>DIODE EMULATION</b>                             |                                   |   |       |      |       |      |
| V <sub>FPWM(LOW)</sub>                             | FPWM input logic low              | V <sub>IN</sub> = 48 V                                |       |      | 1     | V    |
| V <sub>FPWM(HIGH)</sub>                            | FPWM input logic high             | V <sub>IN</sub> = 48 V                                | 3     |      |       |      |
| I <sub>ZX</sub>                                    | Zero cross detect current         | FPWM = 0 (Diode emulation)                            |       | 22.5 |       | mA   |
| <b>REGULATION COMPARATOR</b>                       |                                   |   |       |      |       |      |
| V <sub>REF</sub>                                   | FB regulation level               | V <sub>IN</sub> = 48 V                                | 1.975 | 2    | 2.015 | V    |
| I <sub>(BIAS)</sub>                                | FB input bias current             | V <sub>IN</sub> = 48 V                                |       |      | 100   | nA   |
| <b>ERROR CORRECTION AMPLIFIER &amp; SOFT-START</b> |                                   |   |       |      |       |      |
| G <sub>M</sub>                                     | Error amp transconductance        | FB = V <sub>REF</sub> (±) 10 mV                       |       | 100  |       | μA/V |
| I <sub>EA(SOURCE)</sub>                            | Error amp source current          | FB = 1 V, SS = 1 V                                    | 7.5   | 10   | 12.5  | μA   |
| I <sub>EA(SINK)</sub>                              | Error amp sink current            | FB = 5 V, SS = 2.25 V                                 | 7.5   | 10   | 12.5  |      |

- All minimum and maximum limits are specified by correlating the electrical characteristics to process and temperature variations and applying statistical process control.
- The junction temperature (T<sub>J</sub> in °C) is calculated from the ambient temperature (T<sub>A</sub> in °C) and power dissipation (P<sub>D</sub> in Watts) as follows: T<sub>J</sub> = T<sub>A</sub> + (P<sub>D</sub> • R<sub>θJA</sub>) where R<sub>θJA</sub> (in °C/W) is the package thermal impedance provided in the Thermal Information section.

## Electrical Characteristics (continued)

Typical values correspond to  $T_J = 25^\circ\text{C}$ . Minimum and maximum limits apply over  $T_J = -40^\circ\text{C}$  to  $125^\circ\text{C}^{(1)(2)}$  for LM5161-Q1. Unless otherwise stated,  $V_{IN} = 48\text{ V}$ .<sup>(1)(2)</sup>

| PARAMETER               |                                 | TEST CONDITIONS                               | MIN   | TYP  | MAX   | UNIT             |
|-------------------------|---------------------------------|---|-------|------|-------|------------------|
| $V_{(SS-FB)}$           | $V_{SS} - V_{FB}$ clamp voltage | $FB = 1.75\text{ V}$ , $C_{SS} = 1\text{ nF}$ |       | 135  |       | mV               |
| $I_{SS}$                | Softstart charging current      | $SS = 0.5\text{ V}$                           | 7.5   | 10   | 12.5  | $\mu\text{A}$    |
| <b>ENABLE/UVLO</b>      |                                 |   |       |      |       |                  |
| $V_{UVLO(TH)}$          | UVLO threshold                  | EN/UVLO rising                                | 1.195 | 1.24 | 1.272 | V                |
| $I_{UVLO(HYS)}$         | UVLO hysteresis current         | EN/UVLO = 1.4 V                               | 15    | 20   | 25    | $\mu\text{A}$    |
| $V_{SD(TH)}$            | Shutdown mode threshold         | EN/UVLO falling                               | 0.29  | 0.35 |       | V                |
| $V_{SD(HYS)}$           | Shutdown threshold hysteresis   | EN/UVLO rising                                |       | 50   |       | mV               |
| <b>THERMAL SHUTDOWN</b> |                                 |   |       |      |       |                  |
| $T_{SD}$                | Thermal shutdown threshold      |   |       | 175  |       | $^\circ\text{C}$ |
| $T_{SD(HYS)}$           | Thermal shutdown hysteresis     |   |       | 20   |       | $^\circ\text{C}$ |

## 6.6 Switching Characteristics<sup>(1)</sup>

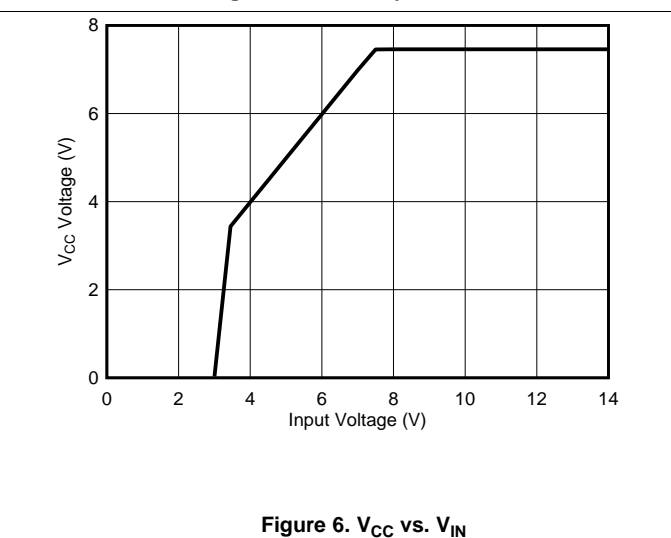
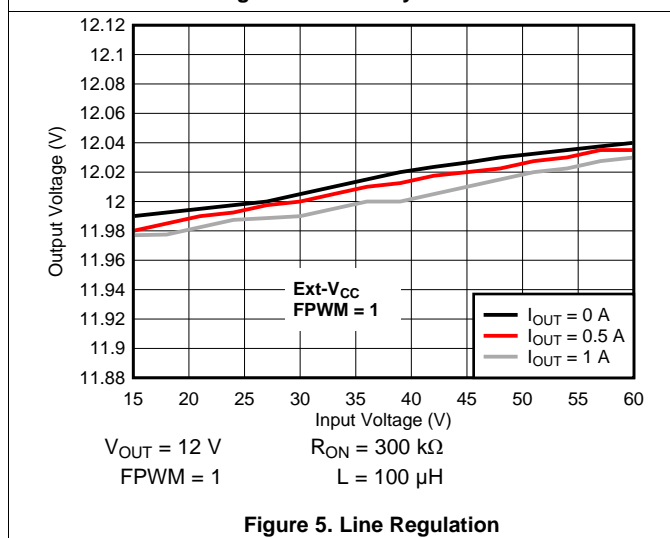
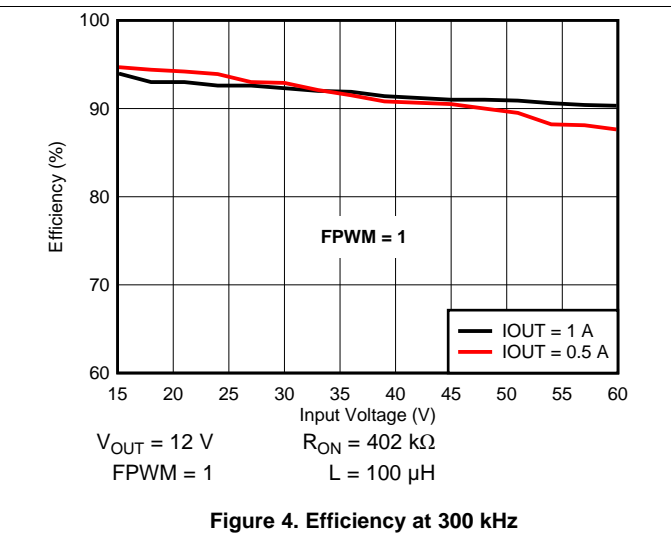
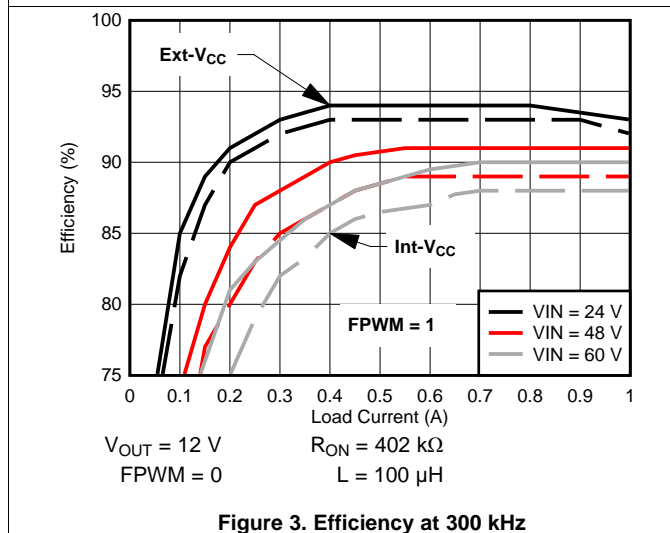
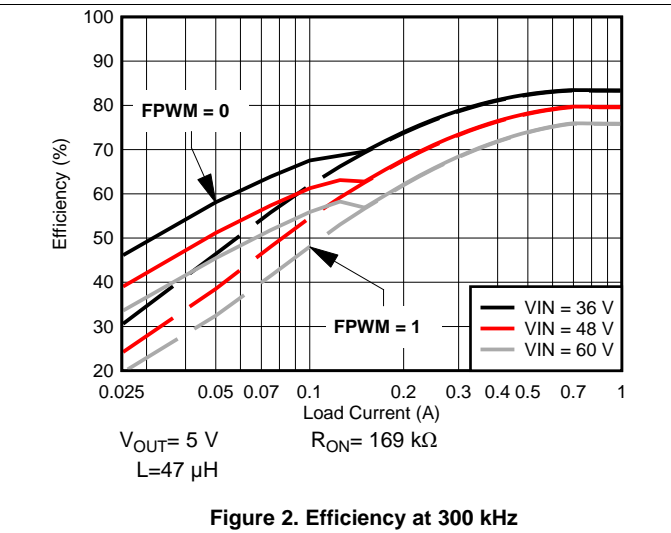
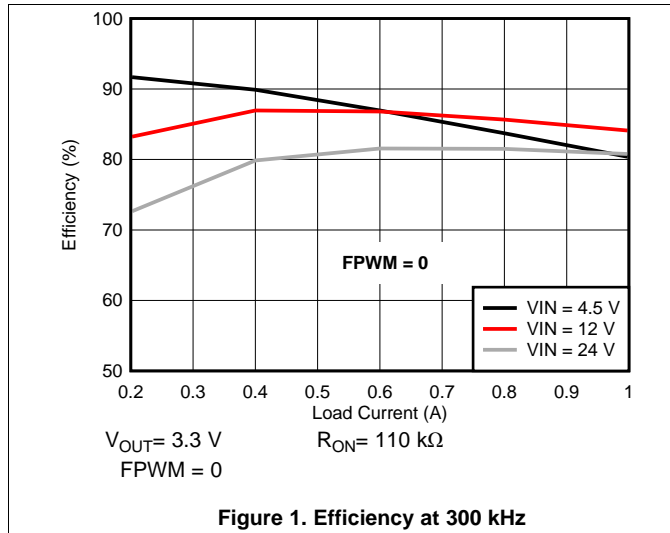
Typical values correspond to  $T_J = 25^\circ\text{C}$ . Minimum and maximum limits apply over  $T_J = -40^\circ\text{C}$  to  $125^\circ\text{C}$  for LM5161-Q1. Unless otherwise stated,  $V_{IN} = 48\text{ V}$ .

| PARAMETER                |   | TEST CONDITIONS | MIN  | TYP  | MAX  | UNIT |
|--------------------------|---|-----------------|------|------|------|------|
| <b>MINIMUM OFF-TIME</b>  |   |                 |      |      |      |      |
| $T_{OFF-MIN}$            | Minimum off-Time, $FB = 0\text{ V}$                           |                 |      | 170  |      | ns   |
| $T_{OFF-MIN}$            | Minimum off-Time, $FB = 0\text{ V}$ , $V_{IN} = 4.5\text{ V}$ |                 |      | 200  |      | ns   |
| <b>ON-TIME GENERATOR</b> |   |                 |      |      |      |      |
| $T_{ON}$ Test 1          | $V_{IN} = 24\text{ V}$ , $R_{ON} = 100\text{ k}\Omega$        |                 | 420  | 540  | 665  | ns   |
| $T_{ON}$ Test 2          | $V_{IN} = 48\text{ V}$ , $R_{ON} = 100\text{ k}\Omega$        |                 |      | 270  |      | ns   |
| $T_{ON}$ Test 3          | $V_{IN} = 8\text{ V}$ , $R_{ON} = 100\text{ k}\Omega$         |                 | 1150 | 1325 | 1500 | ns   |
| $T_{ON}$ Test 4          | $V_{IN} = 72\text{ V}$ , $R_{ON} = 150\text{ k}\Omega$        |                 |      | 285  |      | ns   |

- (1) All minimum and maximum limits are specified by correlating the electrical characteristics to process and temperature variations and applying statistical process control.

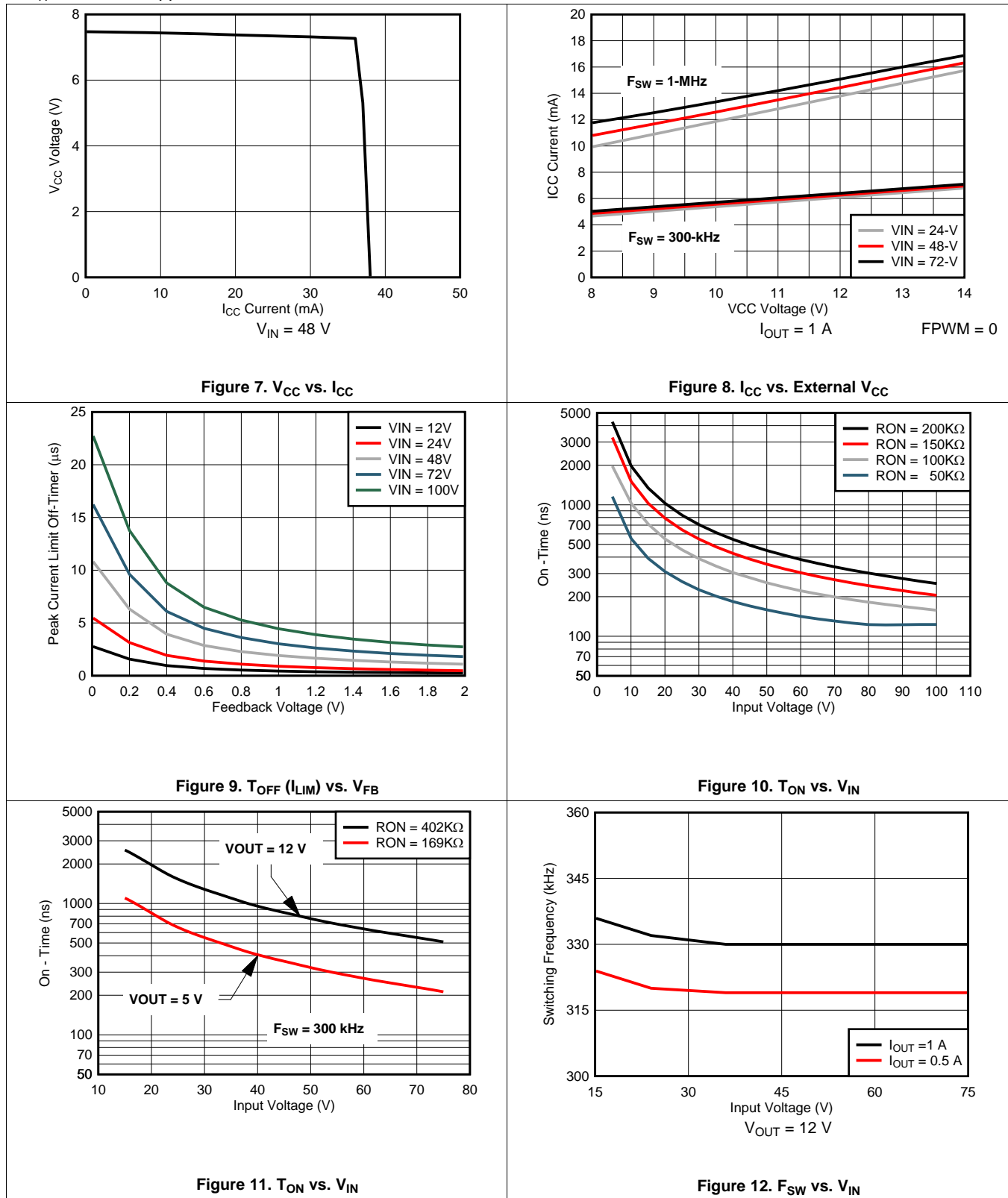
## 6.7 Typical Characteristics

At  $T_A = 25^\circ\text{C}$  and applicable to LM5161-Q1 unless otherwise noted.



Typical Characteristics (continued)

At  $T_A = 25^\circ\text{C}$  and applicable to LM5161-Q1 unless otherwise noted.





Typical Characteristics (continued)

At  $T_A = 25^\circ\text{C}$  and applicable to LM5161-Q1 unless otherwise noted.

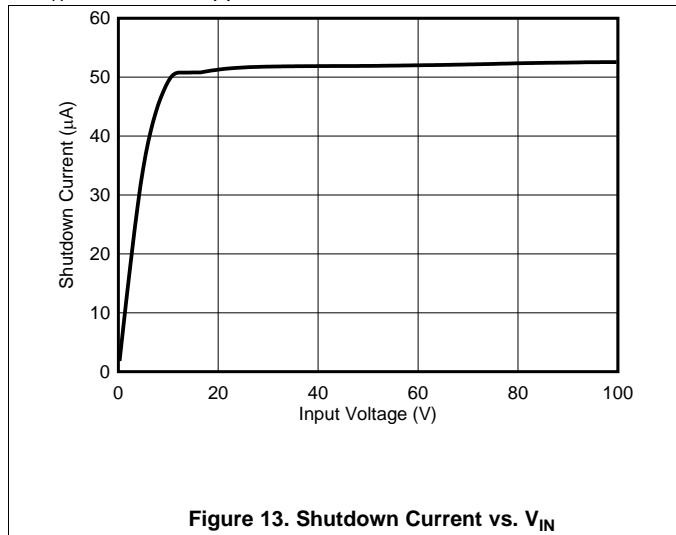


Figure 13. Shutdown Current vs.  $V_{IN}$

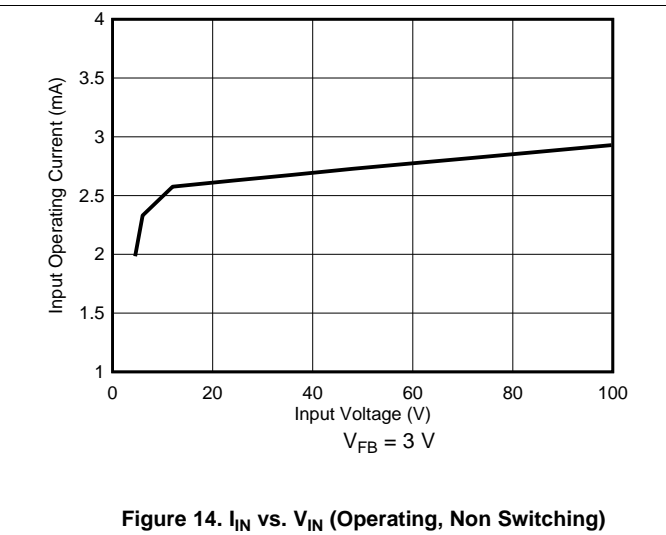


Figure 14.  $I_{IN}$  vs.  $V_{IN}$  (Operating, Non Switching)

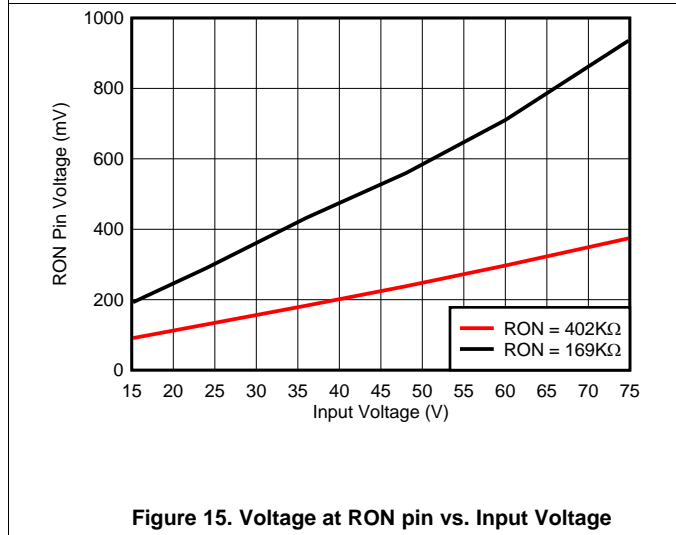


Figure 15. Voltage at RON pin vs. Input Voltage

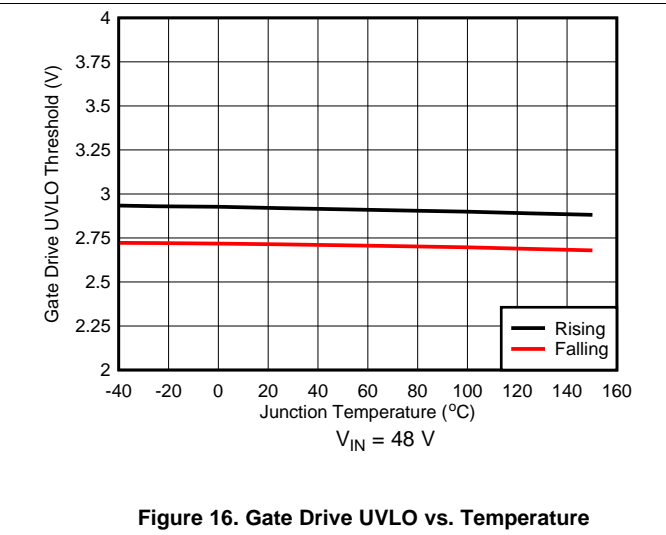


Figure 16. Gate Drive UVLO vs. Temperature

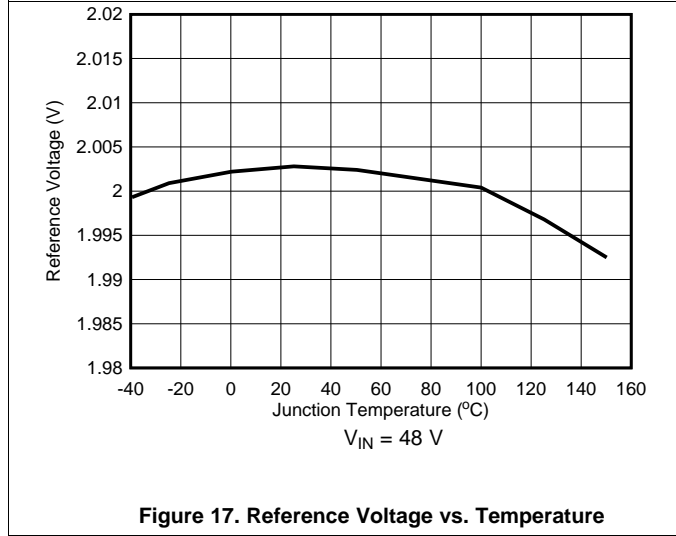


Figure 17. Reference Voltage vs. Temperature

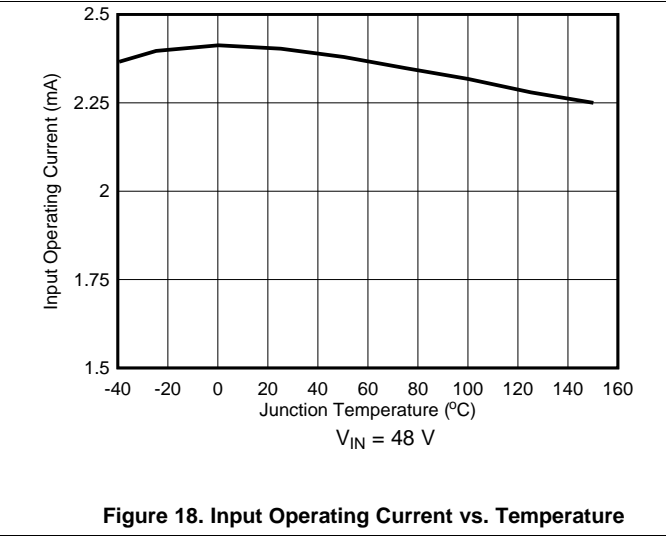


Figure 18. Input Operating Current vs. Temperature

Typical Characteristics (continued)

At  $T_A = 25^\circ\text{C}$  and applicable to LM5161-Q1 unless otherwise noted.

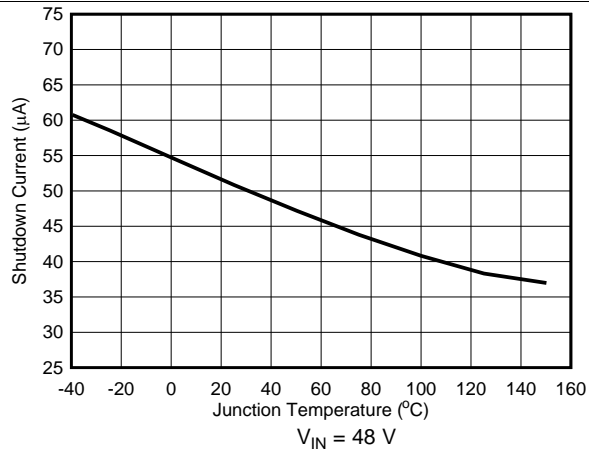


Figure 19. Input Shutdown Current vs. Temperature

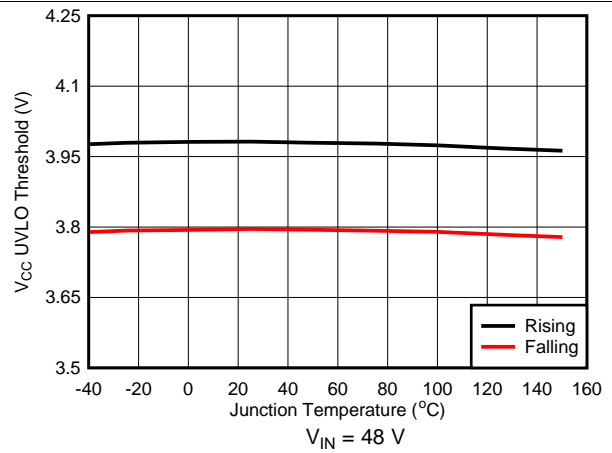


Figure 20.  $V_{CC}$  UVLO vs. Temperature

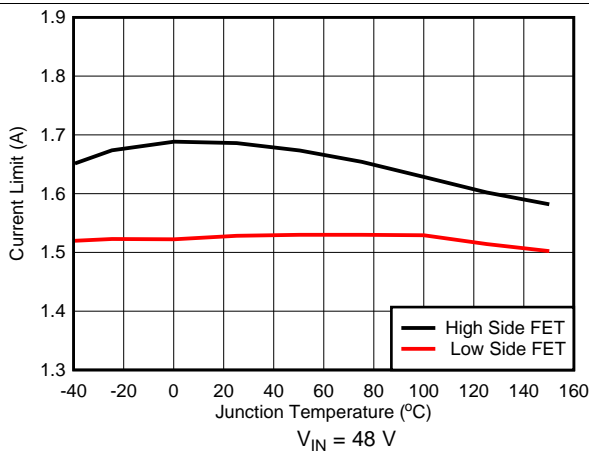


Figure 21. Current Limit vs. Temperature

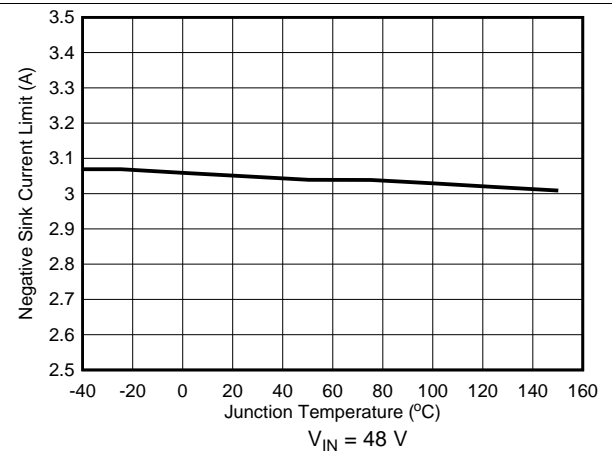


Figure 22. Sink Current Limit vs. Temperature

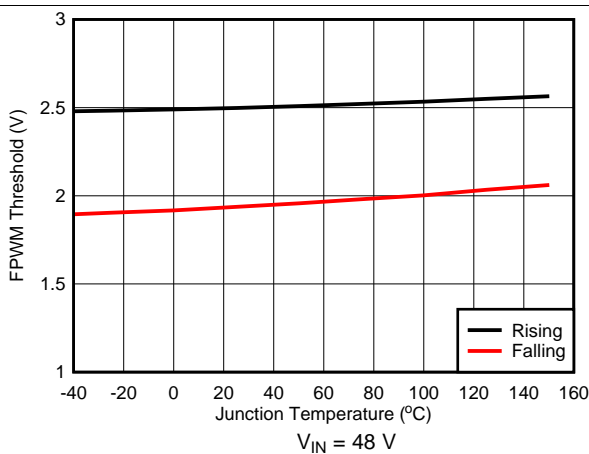


Figure 23. FPWM Threshold vs. Temperature

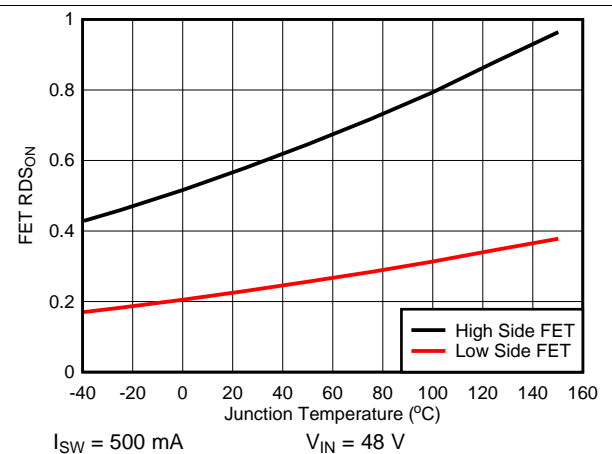


Figure 24. Switch Resistance vs. Temperature

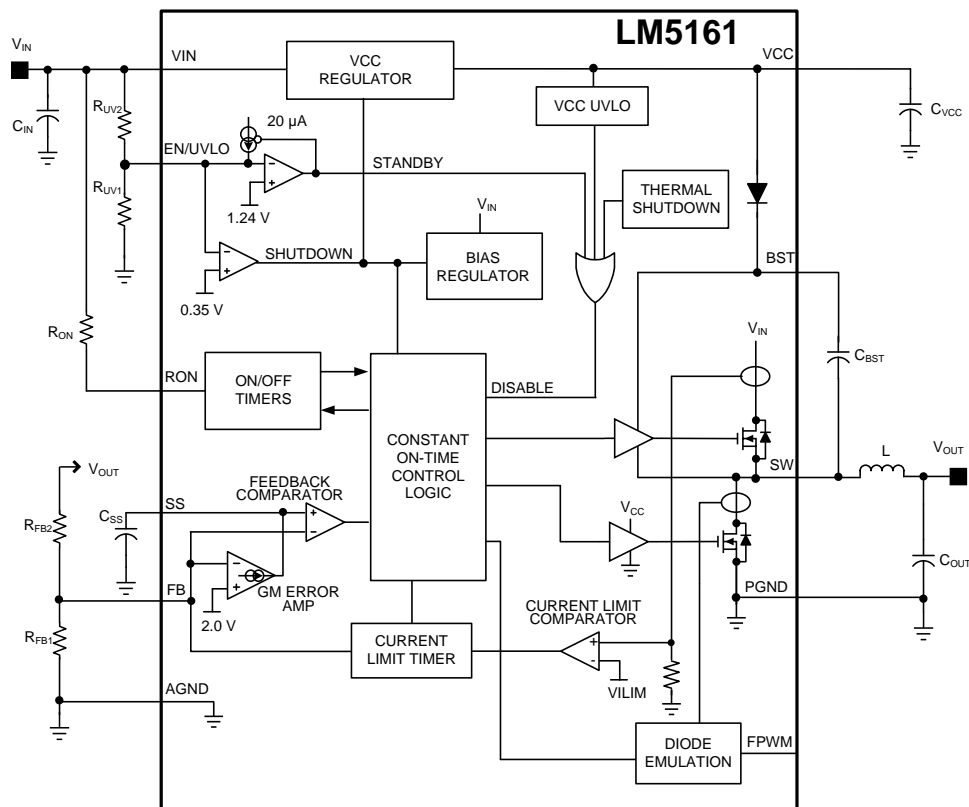
## 7 Detailed Description

### 7.1 Overview

The LM5161-Q1 step-down switching regulator features all the functions needed to implement a low-cost, efficient buck converter capable of supplying 1-A to the load. This high voltage regulator contains 100-V N-channel buck and synchronous rectifier switches and is available in the 14-pin HTSSOP package. The regulator operation is based on constant ON-time control where the ON-time is inversely proportional to input voltage  $V_{IN}$ . This feature maintains a relatively constant operating frequency with load and input voltage variations. A constant on-time switching regulator requires no loop compensation resulting in fast load transient response. Peak current limit detection circuit is implemented with a forced OFF-time during current limiting which is inversely proportional to voltage at the feedback pin,  $V_{FB}$  and directly proportional to  $V_{IN}$ . Varying the current limit OFF-time with  $V_{FB}$  and  $V_{IN}$  ensures short circuit protection with minimal current limit foldback. The LM5161-Q1 can be applied in numerous end equipment systems requiring efficient step-down regulation from higher input voltages. This regulator is well suited for 24 V industrial systems as well as for 48 V telecom and PoE voltage ranges. The LM5161-Q1 integrates an undervoltage lockout (EN/UVLO) circuit to prevent faulty operation of the device at low input voltages and features intelligent current limit and thermal shutdown to protect the device during overload or short circuit.

All instances of the LM5161 device name used throughout this document, in block diagrams and application schematics, are valid for LM5161-Q1 as well, unless stated otherwise.

### 7.2 Functional Block Diagram



Copyright © 2016, Texas Instruments Incorporated

## 7.3 Feature Description

### 7.3.1 Control Circuit

The LM5161-Q1 step-down switching regulator employs a control principle based on a comparator and a one-shot ON-timer, with the output voltage feedback (FB) compared to the voltage at the Soft-Start (SS) pin ( $V_{SS}$ ). If the FB voltage is below  $V_{SS}$ , the internal buck switch is turned on for a time period determined by the input voltage and one-shot programming resistor ( $R_{ON}$ ). Following the ON-time, the buck switch must remain off for the minimum OFF-time forced by the minimum OFF-time one-shot. The buck switch remains off until the FB voltage falls below  $V_{SS}$  again, when it turns on for another ON-time one-shot period.

During a rapid start-up or when the load current increases suddenly, the regulator operates with minimum off-time per cycle. When regulating the output in steady state operation, the off-time automatically adjusts to produce the SW pin duty cycle required for output voltage regulation.

When in regulation, the LM5161-Q1 operates in continuous conduction mode at heavy load currents. If the FPWM pin is connected to ground or left floating, the regulator operates in discontinuous conduction mode at light load with the synchronous rectifier FET emulating a diode. With sufficient load, the LM5161-Q1 operates in continuous conduction mode with the inductor current never reaching zero during the OFF-time of the high-side FET. In this mode the operating frequency remains relatively constant with load and line variations. The minimum load current for continuous conduction mode is one-half the inductor's ripple current amplitude. The operating frequency (in Hz) is programmed by the RON pin resistor and can be calculated from [Equation 1](#) with  $R_{ON}$  expressed in ohms.

$$F_{SW} = \frac{V_{OUT}}{1.008 \times 10^{-10} \times R_{ON}} \text{ Hz} \quad (1)$$

In discontinuous conduction mode, current through the inductor ramps up from zero to a peak value during the ON-time, then ramps back to zero before the end of the OFF-time. The next ON-time period starts when the voltage at FB falls below  $V_{SS}$ . When the inductor current is zero during the high side FET off-time, the load current is supplied by the output capacitor. In this mode, the operating switching frequency is lower than the continuous conduction mode switching frequency and the frequency varies with load. The discontinuous conduction mode maintains higher conversion efficiency at light loads since the switching losses decrease with the decrease in load and frequency.

The output voltage is set by two external resistors ( $R_{FB1}$ ,  $R_{FB2}$ ). The regulated output voltage is calculated from [Equation 2](#), where  $V_{REF} = 2 \text{ V}$  (typical) is the feedback reference voltage.

$$V_{OUT} = \frac{V_{REF} \times (R_{FB2} + R_{FB1})}{R_{FB1}} \text{ V} \quad (2)$$

### 7.3.2 VCC Regulator

The LM5161-Q1 contains an internal high voltage linear regulator with a nominal output voltage of 7.3 V (typical). The VCC regulator is internally current limited to 30 mA (minimum). This regulator supplies power to internal circuit blocks including the synchronous FET gate driver and the logic circuits. When the voltage on the VCC pin reaches the undervoltage lockout ( $V_{CC(UV)}$ ) threshold of 3.98 V (typical), the IC is enabled. An external capacitor at the VCC pin stabilizes the regulator and supplies transient VCC current to the gate drivers. An internal diode connected from VCC to the BST pin replenishes the charge in the high-side gate drive bootstrap capacitor when the SW pin is low.

In high input voltage applications, the power dissipated in the regulator is significant and can limit the efficiency and maximum achievable output power. The LM5161-Q1 allows the internal VCC regulator power loss to be reduced by supplying the VCC voltage via a diode from an external voltage source regulated between 9 V and 13 V. The external VCC bias can be supplied from the LM5161-Q1 converter output rail if the regulation voltage is within this range. When the VCC pin of the LM5161-Q1 is raised above the regulation voltage (7.3 V typical), the internal regulator is disabled and the power dissipation in the IC is reduced.

## Feature Description (continued)

### 7.3.3 Regulation Comparator

The feedback voltage at the FB pin is compared to the SS pin voltage  $V_{SS}$ . In normal operation when the output voltage is in regulation, an ON-time period is initiated when the voltage at FB pin falls below  $V_{SS}$ . The high-side buck switch stays on for the ON-time one-shot period causing the FB voltage to rise. After the on-time period expires, the high-side switch will remain off until the FB voltage falls below  $V_{SS}$ . During start-up, the FB voltage is below  $V_{SS}$  at the end of each on-time period and the high-side switch turns on again after the minimum forced off-time of 170 ns (typical). When the output is shorted to ground (FB = 0 V), the high side peak current limit is triggered, the high-side FET is turned off, and remains off for a period determined by the current limit OFF-time one-shot. See the [Current Limit](#) section for additional information.

### 7.3.4 Soft-Start

The soft-start feature of the LM5161-Q1 allows the converter to gradually reach a steady-state operating point, thereby reducing start-up stresses and current surges. When the EN/UVLO pin is above the EN/UVLO standby threshold  $V_{UVLO(TH)} = 1.24$  V (typical) and VCC exceeds the VCC undervoltage  $V_{CC(UV)} = 3.98$  V (typical) threshold, an internal 10- $\mu$ A current source charges the external capacitor at the SS pin ( $C_{SS}$ ) from 0 V to 2 V. The voltage at the SS pin is connected to the noninverting input of the internal FB comparator. The soft-start interval ends when the SS capacitor is charged to the 2 V reference level. The ramping voltage at the SS pin produces a controlled, monotonic output voltage start-up. A minimum 1-nF soft-start capacitor must be used in all applications.

### 7.3.5 Error Transconductance ( $G_M$ ) Amplifier

The LM5161-Q1 provides a trans-conductance ( $G_M$ ) error amplifier that minimizes the difference between the reference voltage ( $V_{REF}$ ) and the average feedback (FB) voltage. This amplifier reduces the load and line regulation errors that are common in constant-on-time regulators. The soft-start capacitor ( $C_{SS}$ ) provides compensation for this error correction loop. The soft-start capacitor should be greater than 1 nF to ensure stability.

### 7.3.6 On-Time Generator

The ON-time of the LM5161-Q1 high-side FET is determined by the  $R_{ON}$  resistor and is inversely proportional to the input voltage ( $V_{IN}$ ). The inverse relationship with  $V_{IN}$  results in a nearly constant frequency as  $V_{IN}$  is varied. The ON-time can be calculated from [Equation 3](#) with  $R_{ON}$  expressed in ohms.

$$T_{ON} = \frac{1.008 \times 10^{-10} \times R_{ON}}{V_{IN}} \text{ s} \quad (3)$$

To set a specific continuous conduction mode switching frequency ( $F_{SW}$  expressed in Hz), the  $R_{ON}$  resistor is determined from [Equation 4](#):

$$R_{ON} = \frac{V_{OUT}}{1.008 \times 10^{-10} \times F_{SW}} \Omega \quad (4)$$

$R_{ON}$  must be selected for a minimum on-time (at maximum  $V_{IN}$ ) greater than 150 ns for proper operation. This minimum ON-time requirement limits the maximum switching frequency of applications with relatively high  $V_{IN}$  and low  $V_{OUT}$ .

### 7.3.7 Current Limit

The LM5161-Q1 provides an intelligent current limit OFF-timer that adjusts the OFF-time to reduce foldback of the current limit. If the peak value of the current in the buck switch exceeds 1.6 A (typical) the present ON-time period is immediately terminated, and a non-resettable OFF-timer is initiated. The length of the OFF-time is controlled by the FB voltage and the input voltage  $V_{IN}$ . As an example, when  $V_{FB} = 0.1$ -V and  $V_{IN} = 72$ -V, the OFF-time is set to 13  $\mu$ s (typical). This condition would occur if the output is shorted or during the initial phase of start-up. In cases of output overload where the FB voltage is greater than zero volts (a soft short), the current limit OFF-time is reduced. Reducing the OFF-time during less severe overloads reduces the current limit foldback, overload recovery time, and start-up time. The current limit off-time,  $T_{OFF(CL)}$  is calculated from [Equation 5](#):

## Feature Description (continued)

$$T_{\text{OFF(CL)}} = \frac{V_{\text{IN}}}{20 V_{\text{FB}} + 4.35} \mu\text{s} \quad (5)$$

### 7.3.8 N-Channel Buck Switch and Driver

The LM5161-Q1 integrates an N-channel buck switch and associated floating high-side gate driver. The gate driver circuit works in conjunction with an external bootstrap capacitor and an internal high voltage bootstrap diode. A 10-nF or larger ceramic capacitor connected between the BST pin and the SW pin provides the voltage to the high-side driver during the buck switch ON-time. During the OFF-time, the SW node is pulled down to approximately 0 V and the bootstrap capacitor charges from VCC through the internal bootstrap diode. The minimum OFF-time of 170 ns (typical) provides a minimum time each cycle to recharge the bootstrap capacitor.

### 7.3.9 Synchronous Rectifier

The LM5161-Q1 provides an internal low-side synchronous rectifier N-channel FET. This low-side FET provides a low resistance path for the inductor current when the high-side FET is turned off.

With the FPWM pin connected to ground or left floating, the LM5161-Q1 synchronous rectifier operates in diode emulation mode. Diode emulation enables the pulse-skipping during light load conditions. This leads to a reduction in the average switching frequency at light loads. Switching losses and FET gate driver losses, both of which are proportional to switching frequency, are significantly reduced and efficiency is improved. This pulse-skipping mode also reduces the circulating inductor currents and losses associated with a continuous conduction mode (CCM). When the FPWM pin is grounded or left floating, an internal ripple injection circuit is enabled. With the internal ripple injection enabled, the typical external feedback ripple injection circuit is no longer required. This feature reduces the component count in the buck applications. For more details see [Forced Pulse Width Modulation \(FPWM\) Mode](#).

When the FPWM pin is pulled high, diode emulation is disabled. The inductor current can flow in either direction through the low-side FET resulting in CCM operation with nearly constant switching frequency. A negative sink current limit circuit limits the current that can flow into the SW pin and through the low-side FET to ground. In a buck regulator application, large negative current will only flow from V<sub>OUT</sub> to the SW pin if V<sub>OUT</sub> is lifted above the output regulation set-point.

### 7.3.10 Enable / Undervoltage Lockout (EN/UVLO)

The LM5161-Q1 contains a dual level undervoltage lockout (EN/UVLO) circuit. When the EN/UVLO pin voltage is below 0.35 V (typical), the regulator is in a low current shutdown mode. When the EN/UVLO pin voltage is greater than 0.35 V (typical) but less than 1.24 V (typical), the regulator is in standby mode. In standby mode, the VCC bias regulator is active but converter switching remains disabled. When the voltage at the VCC pin exceeds the VCC rising threshold V<sub>CC(UV)</sub> = 3.98 V (typical) and the EN/UVLO pin voltage is greater than 1.24 V, normal switching operation begins. An external resistor voltage divider from VIN to GND can be used to set the minimum operating voltage of the regulator.

EN/UVLO hysteresis is accomplished with an internal 20-μA (typical) current source (I<sub>UVLO(HYS)</sub>) that is switched on or off into the impedance of the EN/UVLO pin resistor divider. When the EN/UVLO threshold is exceeded, the current source is activated to effectively raise the voltage at the EN/UVLO pin. The hysteresis is equal to the value of this current times the upper resistance of the resistor divider, (R<sub>UV2</sub>) (See [Functional Block Diagram](#)).

### 7.3.11 Thermal Protection

The LM5161-Q1 must be operated such that the junction temperature does not exceed 150°C during normal operation. An internal thermal shutdown circuit is provided to protect the LM5161-Q1 in the event of a higher than normal junction temperature. When activated, typically at 175°C, the controller is forced into a low-power reset state, disabling the high side buck switch and the VCC regulator. This feature prevents catastrophic failures due to device overheating. When the junction temperature falls below 155°C (typical hysteresis = 20°C), the VCC regulator is enabled, and operation resumes.

## Feature Description (continued)

### 7.3.12 Ripple Configuration

LM5161-Q1 uses a Constant-On-Time (COT) control scheme, in which the ON-time is terminated by a one-shot, and the OFF-time is terminated by the feedback voltage ( $V_{FB}$ ) falling below the reference voltage. Therefore, for stable operation, the feedback voltage must decrease monotonically and in phase with the inductor current during the OFF-time. Furthermore, this change in feedback voltage ( $V_{FB}$ ) during OFF-time must be large enough to dominate any noise present at the feedback node.

Table 1 presents three different methods for generating appropriate voltage ripple at the feedback node. Type 1 and Type 2 ripple circuits couple the ripple from the output of the converter to the feedback node (FB). The output voltage ripple has two components:

1. Capacitive ripple caused by the inductor current ripple charging or discharging the output capacitor.
2. Resistive ripple caused by the inductor current ripple flowing through the ESR of the output capacitor and  $R_3$ .

The capacitive ripple is out-of-phase with the inductor current. As a result, the capacitive ripple does not decrease monotonically during the OFF-time. The resistive ripple is in phase with the inductor current and decreases monotonically during the OFF-time. The resistive ripple must exceed the capacitive ripple at output ( $V_{OUT}$ ) for stable operation. If this condition is not satisfied unstable switching behavior is observed in COT converters, with multiple ON-time bursts in close succession followed by a long OFF-time.

Type 3 ripple method uses a ripple injection circuit with  $R_A$ ,  $C_A$  and the switch node (SW) voltage to generate a triangular ramp. This triangular ramp is then AC-coupled into the feedback node (FB) using the capacitor  $C_B$ . Since this circuit does not use the output voltage ripple, it is suited for applications where low output voltage ripple is imperative. See application note [Controlling Output Ripple and Achieving ESR Independence in Constant On-Time \(COT\) Regulator Designs](#) (SNVA166) for more details for each ripple generation method.

Table 1. Ripple Configuration

| TYPE 1   | TYPE 2   | TYPE 3  |
|--|--|---|
| Lowest Cost  | Reduced Ripple   | Minimum Ripple  |
|  |  |   |
| Copyright © 2016, Texas Instruments Incorporated                                     | Copyright © 2016, Texas Instruments Incorporated   | Copyright © 2016, Texas Instruments Incorporated  |
| $R_3 \geq \frac{25 \text{ mV} \times V_O}{V_{REF} \times \Delta I_{L1, \text{min}}}$ | $C_{ff} \geq \frac{5}{F_{SW} \times (R_{FB2} \parallel R_{FB1})}$ $R_3 \geq \frac{25 \text{ mV}}{\Delta I_{L1, \text{min}}}$ | $R_A C_A \leq \frac{(V_{IN, \text{min}} - V_O) \times T_{ON(@ V_{IN, \text{min}})}}{25 \text{ mV}}$ |
| (6)  | (7)  | (8)   |

## Feature Description (continued)

### 7.4 Device Functional Modes

#### 7.4.1 Forced Pulse Width Modulation (FPWM) Mode

The [Synchronous Rectifier](#) section gives a brief introduction to the LM5161-Q1 diode emulation feature. The FPWM pin allows the power supply designer to select either CCM or DCM mode of operation at light loads. When the FPWM pin is connected to ground or left floating (FPWM = 0), a pulse-skipping mode and the zero-cross current detector circuit is enabled. The zero-cross detector turns off the low-side FET when the inductor current falls close to zero ( $I_{ZX}$ , see [Electrical Characteristics](#)). This feature allows the LM5161-Q1 regulator to operate in DCM mode at light loads. In the DCM state, the switching frequency decreases with lighter loads.

When the FPWM pin is left open or shorted to ground, the user can take the advantage of the internal ripple injection circuit, enabled in this mode, for a typical Buck application circuit. This feature is applicable over the entire load and input voltage ranges. It eliminates the need for an external feedback ripple injection circuit.

For wide VIN applications where  $V_{IN} > 72\text{ V}$ , an external VCC supply is commonly used to minimize the power dissipation in the IC. In such applications at  $T_J > 125^\circ\text{C}$ , it is recommended to add a BST resistor ( $> 3\Omega$ ) in series with the BST capacitor, in order to protect the internal VCC-BST diode during a full load transient operation. The addition of the external resistor will reduce the fast (dv/dt) of the switch node that can impact the normal IC operation.

If the FPWM pin is pulled high, the LM5161-Q1 will operate in CCM mode regardless of the load conditions. The CCM operation reduces efficiency at light load but improves the output transient response to step load changes and provides nearly constant switching frequency. Moreover, the Fly-Buck topology always requires the continuous conduction mode during its operation.

The internal ripple injection circuit is disabled in the CCM mode. An external ripple injection circuit or an additional ESR resistor in series with the output capacitor is required to generate the optimal ripple at the FB node. Also, there is no need to add any BST resistor in series with the BST capacitor in either forced CCM Buck or Fly-Buck application.

**Table 2. FPWM Pin Mode Summary**

| FPWM PIN CONNECTION      | LOGIC STAGE | DESCRIPTION   |
|--------------------------|-------------|---|
| GND or Floating (High Z) | 0           | The FPWM pin is grounded or left floating. DCM enabled at light loads. Internal Ripple circuit is enabled. No external ripple circuit/ addition required.       |
| V <sub>CC</sub>          | 1           | The FPWM pin is connected to VCC. The LM5161-Q1 then operates in CCM mode at light loads. Internal ripple injection disabled. External ripple injection needed. |

#### 7.4.2 Undervoltage Detector

The following table summarizes the dual threshold levels of the undervoltage lockout (EN/UVLO) circuit explained in [Enable / Undervoltage Lockout \(EN/UVLO\)](#).

**Table 3. UVLO Pin Mode Summary**

| EN/UVLO PIN VOLTAGE | VCC REGULATOR                         | MODE      | DESCRIPTION  |
|---------------------|---------------------------------------|-----------|--|
| < 0.35 V            | Off                                   | Shutdown  | V <sub>CC</sub> regulator disabled. High and low side FETs disabled. |
| 0.35 V to 1.24 V    | On                                    | Standby   | V <sub>CC</sub> regulator enabled. High and low side FETs disabled.  |
| > 1.24 V            | V <sub>CC</sub> < V <sub>CC(UV)</sub> | Standby   | V <sub>CC</sub> regulator enabled. High and low side FETs disabled.  |
|                     | V <sub>CC</sub> > V <sub>CC(UV)</sub> | Operating | V <sub>CC</sub> regulator enabled. Switching enabled.                |



If an EN/UVLO setpoint is not required, the EN/UVLO pin can be driven by a logic signal as an enable input or connected directly to the VIN pin. If the EN/UVLO is directly connected to the VIN pin, the regulator will begin switching when the  $V_{CC}$  UVLO is satisfied.

## 8 Applications and Implementation

---

### NOTE

Information in the following applications sections is not part of the TI component specification, and TI does not warrant its accuracy or completeness. TI's customers are responsible for determining suitability of components for their purposes. Customers should validate and test their design implementation to confirm system functionality.

---

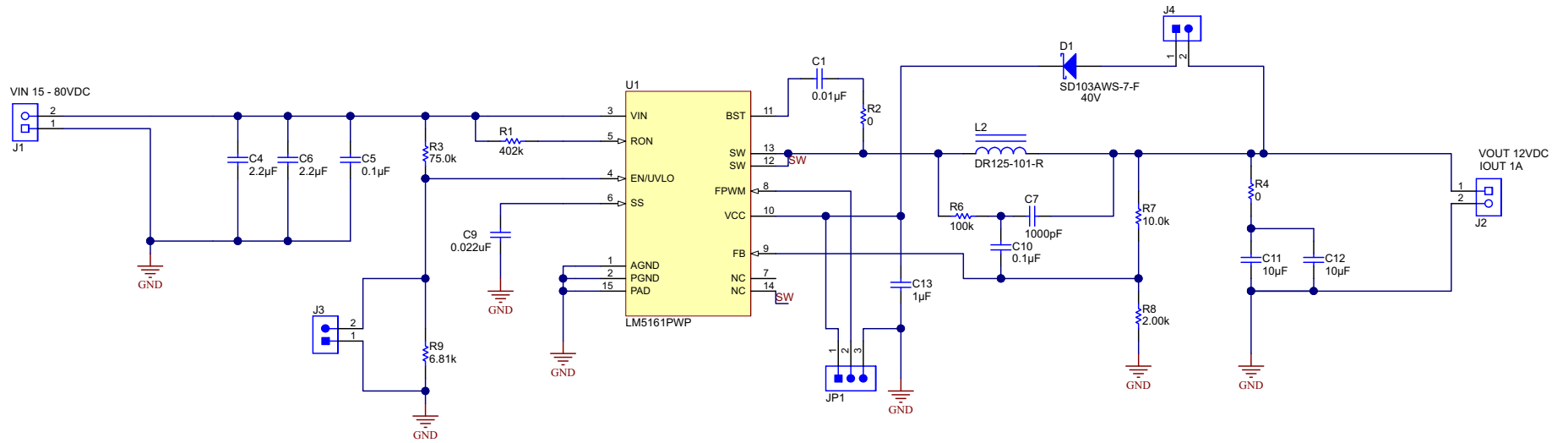
### 8.1 Application Information

The LM5161-Q1 is a synchronous-buck regulator converter designed to operate over a wide input voltage and output current range. Spreadsheet based Quick-Start Calculator tools, available on the [www.ti.com](http://www.ti.com) product website, can be used to design a single output synchronous buck converter or an isolated dual output Fly-Buck converter using the LM5161-Q1. See application note [Designing an Isolated Buck \(Fly-Buck\) Converter](#) for a detailed design guide for the Fly-Buck converter. Alternatively, the online WEBENCH® Tool can be used to create a complete buck or Fly-Buck designs and generate the bill of materials, estimated efficiency, solution size, and cost of the complete solution. [Typical Applications](#) describes a few application circuits using the LM5161-Q1 with detailed, step-by-step design procedures.

### 8.2 Typical Applications

#### 8.2.1 LM5161-Q1 Synchronous Buck (15-V to 95-V Input, 12-V Output, 1-A Load)

A typical application example is a synchronous buck converter operating from a wide input voltage range of 15 V to 95 V and providing a stable 12 V output voltage with maximum output current capability of 1 A. The complete schematic for a typical buck application circuit with LM5161-Q1 in diode emulation is shown in [Figure 25](#). In the application schematic below, the components are labeled by their respective component numbers instead of the descriptive name used in the previous sections. For example, R1 represents  $R_{ON}$  and so on.



Copyright © 2016, Texas Instruments Incorporated

Figure 25. Synchronous Buck Application Circuit

### 8.2.1.1 Design Requirements

A typical synchronous-buck application introduced in [LM5161-Q1 Synchronous Buck \(15-V to 95-V Input, 12-V Output, 1-A Load\)](#), [Table 4](#) summarizes the operating parameters:

**Table 4. Design Parameters**

| DESIGN PARAMETER            | EXAMPLE VALUE      |
|-----------------------------|--------------------|
| Input voltage range         | 15-V to 80-V       |
| output                      | 12-V               |
| Full load current           | 1-A                |
| Nominal switching frequency | 300 kHz            |
| Light load operating mode   | CCM, FPWM=1        |
| Jumper JP1                  | Pins 1-2 connected |

### 8.2.1.2 Detailed Design Procedure

#### 8.2.1.2.1 Custom Design With WEBENCH® Tools

[Click here](#) to create a custom design using the LM5161-Q1 device with the WEBENCH® Power Designer.

1. Start by entering the input voltage ( $V_{IN}$ ), output voltage ( $V_{OUT}$ ), and output current ( $I_{OUT}$ ) requirements.
2. Optimize the design for key parameters such as efficiency, footprint, and cost using the optimizer dial.
3. Compare the generated design with other possible solutions from Texas Instruments.

The WEBENCH Power Designer provides a customized schematic along with a list of materials with real-time pricing and component availability.

In most cases, these actions are available:

- Run electrical simulations to see important waveforms and circuit performance
- Run thermal simulations to understand board thermal performance
- Export customized schematic and layout into popular CAD formats
- Print PDF reports for the design, and share the design with colleagues

Get more information about WEBENCH tools at [www.ti.com/WEBENCH](http://www.ti.com/WEBENCH).

#### 8.2.1.2.2 Output Resistor Divider Selection

With the required output voltage set point at 12 V and  $V_{FB} = 2$  V (typical), the ratio of R8 ( $R_{FB1}$ ) to R7 ( $R_{FB2}$ ) can be calculated using [Equation 9](#):

$$\frac{R_{FB2}}{R_{FB1}} = \frac{V_{OUT}}{V_{REF}} - 1 \quad (9)$$

The resistor ratio calculates to be 5:1. Standard values of R8 ( $R_{FB1}$ ) = 2 k $\Omega$  and R7 ( $R_{FB2}$ ) = 10 k $\Omega$  are chosen. Higher or lower resistor values could be used as long as the ratio of 5:1 is maintained.

#### 8.2.1.2.3 Frequency Selection

The duty cycle required to maintain output regulation at the minimum input voltage restricts the maximum switching frequency of LM5161-Q1. The maximum value of the minimum forced OFF-time  $T_{OFF,min}$  (max), limits the duty cycle and therefore the switching frequency. The maximum frequency that avoids output dropout at minimum input voltage can be calculated from [Equation 10](#).

$$F_{SW,max}(@V_{IN,min}) = \frac{V_{IN,min} - V_{OUT}}{V_{IN,min} \times T_{OFF,min}(ns)} \quad (10)$$

For this design example, the maximum frequency based on the minimum OFF-time limitation for  $T_{OFF,min}$ (typical) = 170 ns is calculated to be  $F_{SW,max}(@V_{IN,min}) = 1.2$  MHz. This value is above 1 MHz, the maximum possible operating frequency of the LM5161-Q1. Therefore, the minimum OFF-time parameter restricts the maximum achievable switching frequency calculation in this application.

At the maximum input voltage, the maximum switching frequency of LM5161-Q1 is restricted by the minimum ON-time,  $T_{ON,min}$  which limits the minimum duty cycle of the converter. The maximum frequency at maximum input voltage can be calculated using [Equation 11](#).

$$F_{SW,max}(@V_{IN,max}) = \frac{V_{OUT}}{V_{IN,max} \times T_{ON,min} (ns)} \quad (11)$$

Using [Equation 11](#) and  $T_{ON,min} (typ) = 150$  ns, the maximum achievable switching frequency is  $F_{SW,max}(@V_{IN,min}) = 1000$  kHz. Taking this value as the maximum possible operational switching frequency over the input voltage range in this application, a nominal switching frequency of  $F_{SW} = 300$  kHz is chosen for this design.

The value of the resistor,  $R_{ON}$  sets the nominal switching frequency based on [Equation 12](#).

$$R_{ON} = \frac{V_{OUT}}{1.008 \times 10^{-10} \times F_{SW}} \Omega \quad (12)$$

For this particular application with  $F_{SW} = 300$  kHz,  $R_{ON}$  calculates to be 396 k $\Omega$ . Selecting a standard value for R1 ( $R_{ON}$ ) = 402 k $\Omega$  ( $\pm 1\%$ ) results in a nominal frequency of 296 kHz. The resistor value may need to be adjusted further in order to achieve the required switching frequency as the switching frequency in Constant ON-Time converters varies slightly ( $\pm 10\%$ ) with input voltage and/or output current. Operation at a lower nominal switching frequency will result in higher efficiency but increase in the inductor and capacitor values leading to a larger total solution size.

#### 8.2.1.2.4 Inductor Selection

The inductor is selected to limit the inductor ripple current to a value between 20 and 40 percent of the maximum load current. The minimum value of the inductor required in this application can be calculated from [Equation 13](#):

$$L_{min} = \frac{V_O \times (V_{IN,max} - V_O)}{V_{IN,max} \times F_{SW} \times I_{O,max} \times 0.4} \quad (13)$$

Based on [Equation 13](#), the minimum value of the inductor is calculated to be 85  $\mu$ H for  $V_{IN} = 80$ -V (max) and inductor current ripple will be 40 percent of the maximum load current. Allowing some margin for inductance variation and inductor saturation, a higher standard value of L1 (L) = 100  $\mu$ H is selected for this design.

The peak inductor current at maximum load must be smaller than the minimum current limit threshold of the high side FET as given in [Electrical Characteristics](#) table. The inductor current ripple at any input voltage is given by:

$$\Delta I_L = \frac{V_O \times (V_{IN} - V_O)}{V_{IN} \times F_{SW} \times L} \quad (14)$$

The peak-to-peak inductor current ripple is calculated to be 81 mA and 341 mA at the minimum and maximum input voltages respectively. The maximum peak inductor current in the buck FET is given by [Equation 15](#):

$$I_{L(peak)} = I_{O,max} + \frac{\Delta I_{L,max}}{2} \quad (15)$$

In this design with maximum output current of 1-A, the maximum peak inductor current is calculated to be approximately 1.17 A at  $V_{IN,max} = 80$  V, which is less than the minimum high-side FET current limit threshold.

The saturation current of the inductor must also be carefully considered. The peak value of the inductor current will be bound by the high side FET current limit during overload or short circuit conditions. Based on the high side FET current limit specification in the [Electrical Characteristics](#), an inductor with saturation current rating above 1.9 A (max) should be selected.

#### 8.2.1.2.5 Output Capacitor Selection

The output capacitor is selected to limit the capacitive ripple at the output of the regulator. Maximum capacitive ripple is observed at maximum input voltage. The output capacitance required for a ripple voltage  $\Delta V_O$  across the capacitor is given by [Equation 16](#).

$$C_{OUT} = \frac{\Delta I_{L,max}}{8 \times F_{SW} \times \Delta V_{O,ripple}} \quad (16)$$

Substituting  $\Delta V_{O, ripple} = 10 \text{ mV}$  gives  $C_{OUT} = 15 \mu\text{F}$ . Two standard  $10 \mu\text{F}$  ceramic capacitors in parallel (C11, C12) are selected. An X7R type capacitor with a voltage rating 25 V or higher should be used for  $C_{OUT}$  (C11, C12) to limit the reduction of capacitance due to dc bias voltage.

#### 8.2.1.2.6 Series Ripple Resistor - $R_{ESR}$ (FPWM = 1)

If the FPWM = 1, i.e. the FPWM pin is pulled high as when connected to  $V_{CC}$ , a series resistor in series with the output capacitor or the external ripple injection circuit must be selected such that sufficient ripple injection ( $> 25\text{mV}$ ) is ensured at the feedback pin FB. The ripple produced by  $R_{ESR}$  is proportional to the inductor current ripple, and therefore,  $R_{ESR}$  should be chosen for minimum inductor current ripple which occurs at minimum input voltage. The  $R_{ESR}$  is calculated by [Equation 17](#).

$$R_{ESR} \geq \frac{25 \text{ mV} \times V_O}{V_{REF} \times \Delta I_{L, min}} \quad (17)$$

With  $V_O = 12 \text{ V}$ ,  $V_{REF} = 2 \text{ V}$  and  $\Delta I_{L, min} = 81 \text{ mA}$  (at  $V_{IN, min} = 15 \text{ V}$ ) as calculated in [Equation 14](#), [Equation 17](#) requires an  $R_{ESR}$  greater than or equal to  $1.87 \Omega$ . Selecting R4 ( $R_{ESR}$ ) =  $2 \Omega$  results in approximately 700 mV of maximum output voltage ripple at  $V_{IN, max}$ . However due to the internal DC Error correction loop, the load and line regulation will be much improved, despite the addition of a large  $R_{ESR}$  in the circuit. For applications which require even lower output voltage ripple, Type 2 or Type 3 ripple injection circuits must be used, as described in [Ripple Configuration](#). In this design example, with the FPWM = 1 (i.e. the FPWM pin is pulled up to  $V_{CC}$ ) a  $0 \Omega$  ESR resistor is selected and the external Type 3 ripple injection circuit is used.

#### 8.2.1.2.7 VCC and Bootstrap Capacitor

The VCC capacitor charges the bootstrap capacitor during the OFF-time of the high-side switch and powers internal logic circuits and the low side sync FET gate driver. The bootstrap capacitor biases the high-side gate driver during the high-side FET ON-time. A good value for C13 ( $C_{VCC}$ ) is  $1 \mu\text{F}$ . A good choice for C1 ( $C_{BST}$ ) is  $10 \text{ nF}$ . Both must be high quality X7R ceramic capacitors.

#### 8.2.1.2.8 Input Capacitor Selection

The input capacitor must be large enough to limit the input voltage ripple to an acceptable level. [Equation 18](#) provides the input capacitance  $C_{IN}$  required for a worst case input ripple of  $\Delta V_{IN, ripple}$ .

$$C_{IN} = \frac{I_{O, max} \times D \times (1 - D)}{\Delta V_{IN, ripple} \times F_{SW}} \quad (18)$$

$C_{IN}$  (C4, C6) supplies most of the switch current during the ON-time to limit the voltage ripple at the VIN pin. At maximum load current, when the buck switch turns on, the current into the VIN pin quickly increases to the valley current of the inductor ripple and then ramps up to the peak of the inductor ripple during the ON-time of the high-side FET. The average current during the ON-time is the output load current. For a worst-case calculation,  $C_{IN}$  must supply this average load current during the maximum ON-time, without letting the voltage at VIN drop more than the desired input ripple. For this design, the input voltage drop is limited to 0.5 V and the value of  $C_{IN}$  is calculated using [Equation 18](#).

Based on [Equation 18](#), the value of the input capacitor is calculated to be approximately  $1.68 \mu\text{F}$  at  $D = 0.5$ . Taking into account the decrease in capacitance over an applied voltage, two standard value ceramic capacitors of  $2.2 \mu\text{F}$  are selected for C4 and C6. The input capacitors should be rated for the maximum input voltage under all operating and transient conditions. A 100-V, X7R dielectric was selected for this design.

A third input capacitor C5 is needed in this design as a bypass path for the high frequency component of the input switching current. The value of C5 is  $0.1 \mu\text{F}$  and this bypass capacitor must be placed directly across VIN and PGND (pin 3 and 2) near the IC. The  $C_{IN}$  values and location are critical to reducing switching noise and transients.

#### 8.2.1.2.9 Soft-Start Capacitor Selection

The capacitor at the SS pin determines the soft-start time, that is the time for the output voltage to reach its final steady state value. The capacitor value is determined from [Equation 19](#):

$$C_{SS} = \frac{I_{SS} \times T_{Startup}}{V_{SS}} \quad (19)$$

With C9 (C<sub>SS</sub>) set at 22 nF and the V<sub>SS</sub> = 2 V, I<sub>SS</sub> = 10 μA, the T<sub>Startup</sub> should measure approximately 4 ms.

### 8.2.1.2.10 EN/UVLO Resistor Selection

The UVLO resistors R3 (R<sub>UV2</sub>) and R9 (R<sub>UV1</sub>) set the input undervoltage lockout threshold and hysteresis according to Equation 20 and Equation 21:

$$V_{IN(HYS)} = I_{UVLO(HYS)} \times R_{UV2} \tag{20}$$

and,

$$V_{IN,UVLO(rising)} = V_{UVLO(TH)} \left( 1 + \frac{R_{UV2}}{R_{UV1}} \right) \tag{21}$$

From the *Electrical Characteristics*, I<sub>UVLO(HYS)</sub> = 20 μA (typical). To design for V<sub>IN</sub> rising threshold (V<sub>IN,UVLO(rising)</sub>) at 15 V and EN/UVLO hysteresis of 1.5 V, Equation 20 and Equation 21 yield R<sub>UV1</sub> = 6.81 kΩ and R<sub>UV2</sub> = 75 kΩ. Selecting 1% standard value of R9 (R<sub>UV1</sub>) = 6.81 kΩ and R3 (R<sub>UV2</sub>) = 75 kΩ results in UVLO threshold (rising) and hysteresis of 14.9 V and 1.5 V respectively.

### 8.2.1.3 Application Curves

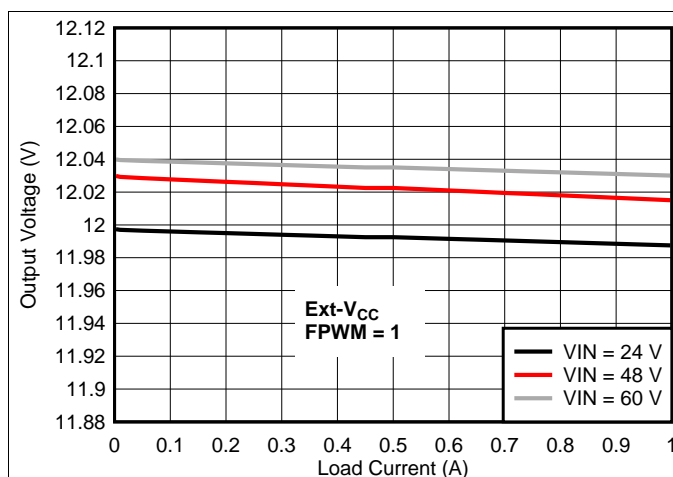


Figure 26. Load Regulation

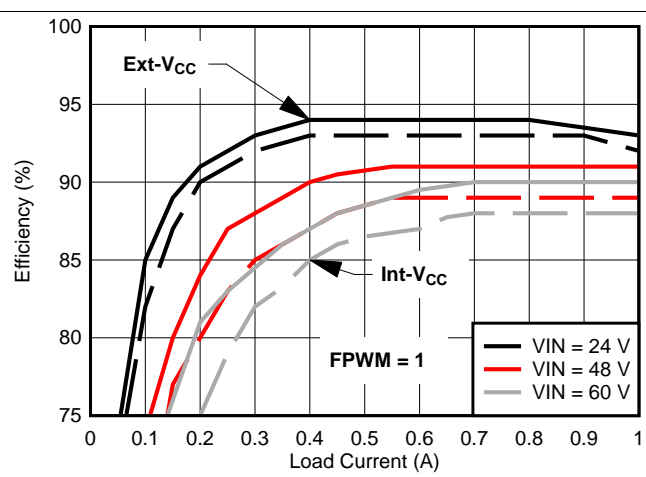


Figure 27. Efficiency vs I<sub>OUT</sub> (FPWM = 1)

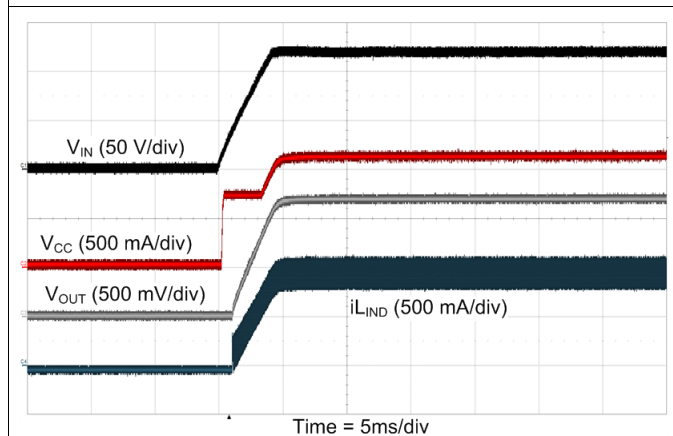


Figure 28. EN/UVLO Startup at V<sub>IN</sub> = 48 V and I<sub>OUT</sub> = 1 A

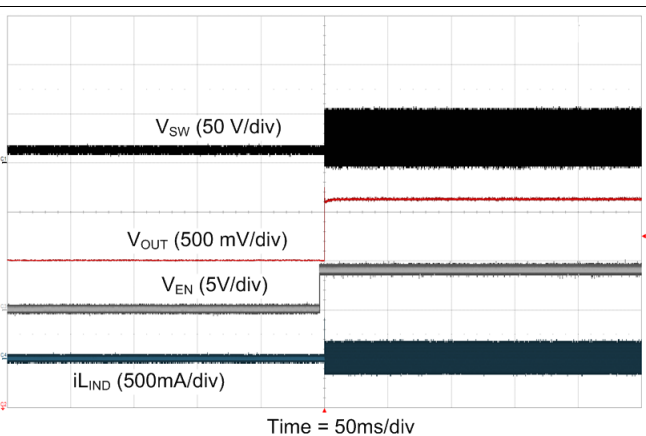


Figure 29. Pre-Bias (11.5 V) Startup at V<sub>IN</sub> = 48 V at No Load & FPWM = 1

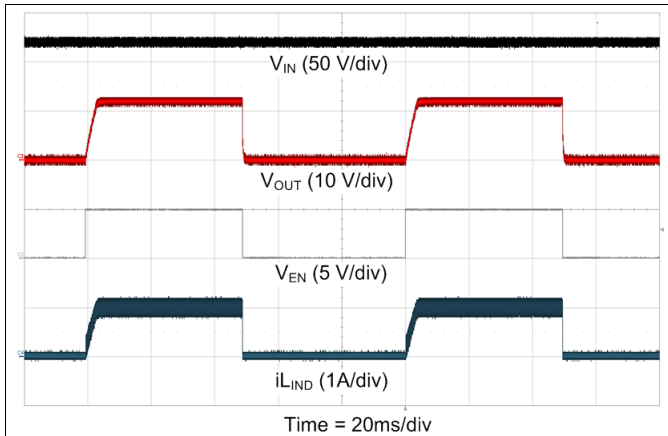


Figure 30. EN/UVLO Startup at  $V_{IN} = 48\text{ V}$  and  $R_{LOAD} = 12\ \Omega$  at FPWM = 1

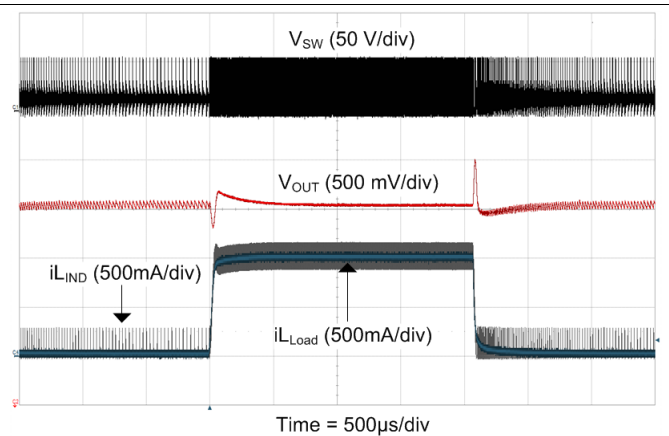


Figure 31. Load Transient (0 A - 1 A) at  $V_{IN} = 48\text{ V}$  at FPWM = 0

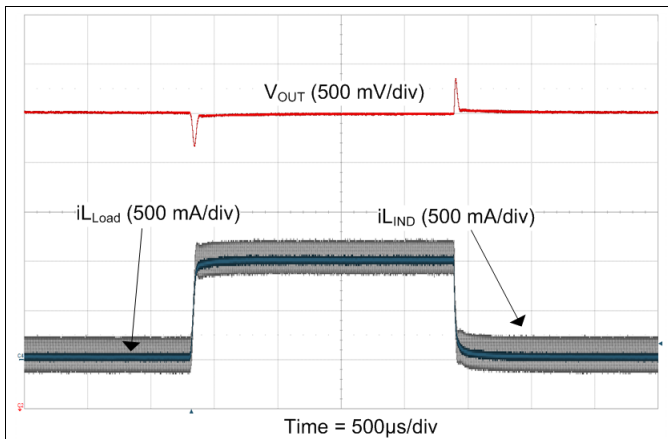


Figure 32. Load Transient (0 A - 1 A) at  $V_{IN} = 48\text{ V}$  at FPWM = 1

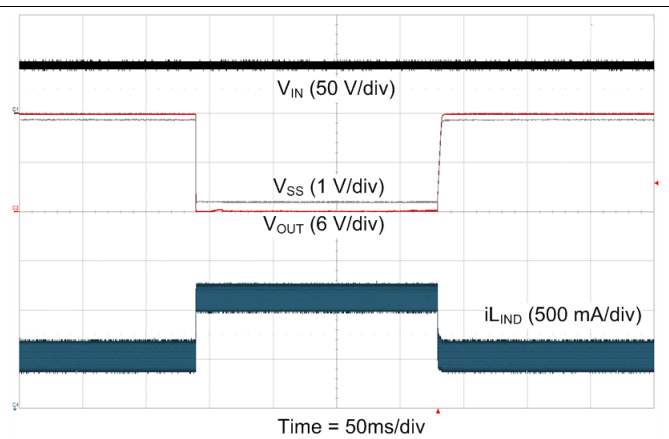
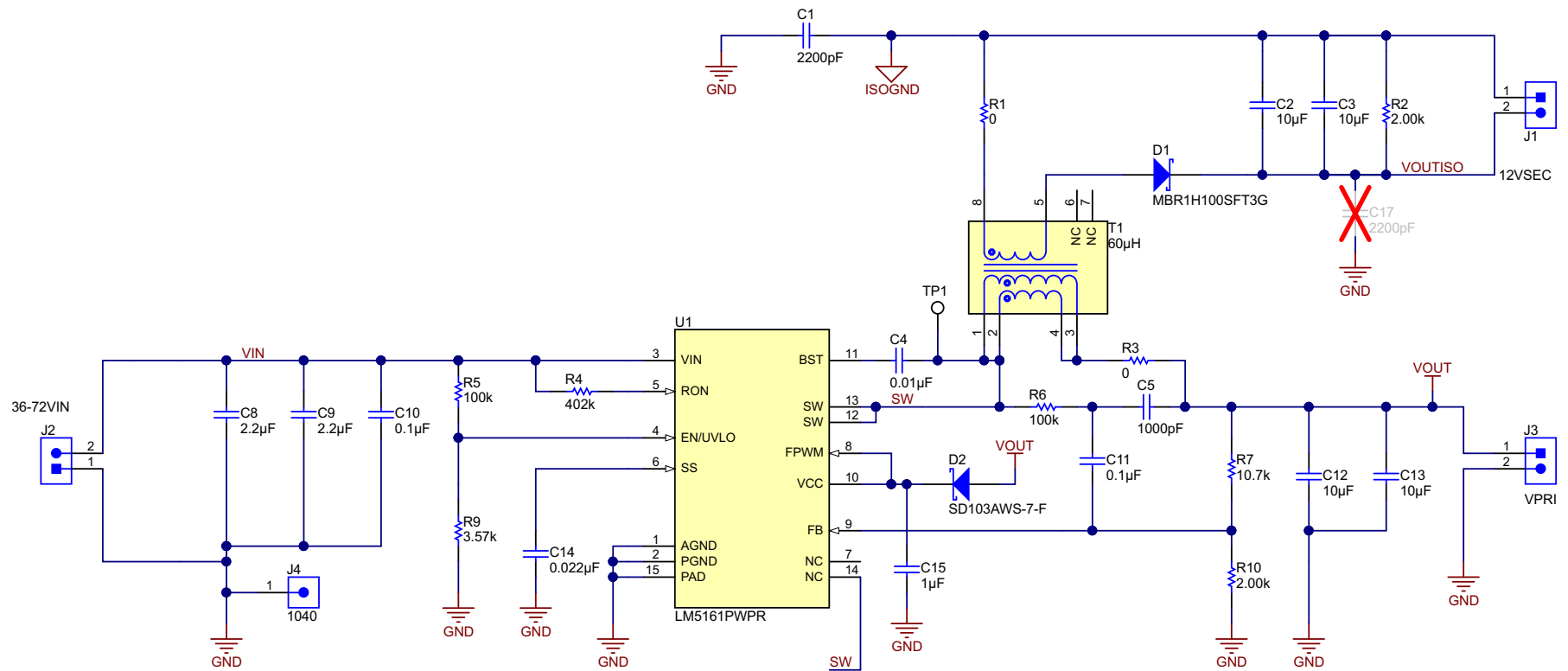


Figure 33. Output Short-Circuit at  $V_{IN} = 48\text{ V}$  (Full Load to Short)

### 8.2.2 LM5161-Q1 Isolated Fly-Buck (36-V to 72-V Input, 12-V, 12-W Isolated Output)

A typical application example for an isolated Fly-Buck converter operates over an input voltage range of 36 V to 72 V. It provides a stable 12 V isolated output voltage with output power capability of 10 W. The complete schematic of the Fly-Buck application circuit is shown in [Figure 34](#).





Copyright © 2016, Texas Instruments Incorporated

Figure 34. 12-V, 10-W Fly-Buck Schematic

### 8.2.2.1 LM5161-Q1 Fly-Buck Design Requirements

The LM5161-Q1 Fly-Buck application example is designed to operate from a nominal 48-V DC supply with line variations from 36-V to 72-V. This example provides a space-optimized and efficient 12-V isolated output solution with secondary load current capability from 0-A to 800 mA. The primary side remains unloaded in this application. The switching frequency is set at 300 kHz (nominal). This design achieves greater than 88% peak efficiency.

**Table 5. Design Parameters**

| DESIGN PARAMETER                                | EXAMPLE VALUE  |
|---|----------------|
| Input voltage range                             | 36 V - 72 V    |
| Isolated output                                 | 12 V (+/- 10%) |
| Isolated load current range (I <sub>ISO</sub> ) | 0-A to 0.8-A   |
| Nominal switching frequency                     | 300 KHz        |
| Peak efficiency                                 | ~87%           |
| Operation mode                                  | FPWM = 1       |

### 8.2.2.2 Detailed Design Procedure

The Fly-Buck converter design procedure closely follows the buck converter design outlined in [LM5161-Q1 Synchronous Buck \(15-V to 95-V Input, 12-V Output, 1-A Load\)](#). The selection of primary output voltage, transformer turns ratio, rectifier diode, and output capacitors are covered here.

#### 8.2.2.2.1 Selection of V<sub>OUT</sub> and Turns Ratio

The primary output voltage in a Fly-Buck converter should be no more than one half of the minimum input voltage. Therefore, at the minimum V<sub>IN</sub> of 36 V, the primary output voltage ( V<sub>OUT</sub> ) should be no higher than 18 V. The isolated output voltage of V<sub>OUTISO</sub> in [Figure 34](#) is set at 12 V by selecting a transformer with a turns ratio (N<sub>1</sub>:N<sub>2</sub> :: N<sub>PRI</sub>:N<sub>SEC</sub>) of 1:1. Using this turns ratio, the required primary output voltage V<sub>OUT</sub> is calculated in [Equation 22](#):

$$V_{OUT} = \frac{V_{OUTISO} + V_{FD1}}{\frac{N_2}{N_1}} = \frac{V_{OUTISO} + 0.7V}{1} = 12.7V \quad (22)$$

The 0.7 V (V<sub>FD1</sub>) added to V<sub>OUTISO</sub> in [Equation 22](#) represents the forward voltage drop of the secondary rectifier diode. By setting the primary output voltage V<sub>OUT</sub> to 12.7-V by selecting the correct feedback resistors, the secondary voltage is regulated at 12-V nominally. Adjustment of the primary side V<sub>OUT</sub> may be required to compensate for voltage errors due to the leakage inductance of the transformer, the resistance of the transformer windings, the diode drop in the power path on the secondary side and the low-side FET of the LM5161-Q1.

#### 8.2.2.2.2 Secondary Rectifier Diode

The secondary side rectifier diode must block the maximum input voltage reflected at secondary side switch node. The minimum diode reverse voltage V<sub>(RD1)</sub> rating is given in [Equation 23](#):

$$V_{RD1} = V_{IN(max)} \times \frac{N_2}{N_1} + V_{OUTISO} = 72V \times 1 + 12V = 84V \quad (23)$$

A diode of 100-V or higher reverse voltage rating must be selected in this application. If the input voltage (V<sub>IN</sub>) has transients above the normal operating maximum input voltage of 72 V, then the worst-case transient input voltage must be used in the [Equation 23](#) while selecting the secondary side rectifier diode.

#### 8.2.2.2.3 External Ripple Circuit

The FPWM pin in the LM5161-Q1 should never be grounded or left open when used in a Fly-Buck application. Type 3 ripple circuit is required for Fly-Buck applications. Follow the design procedure used in the buck converter for selecting the Type 3 ripple injection components. See [Ripple Configuration](#) for ripple design information.

### 8.2.2.2.4 Output Capacitor (C<sub>VISO</sub>)

The Fly-Buck output capacitor conducts higher ripple current than a buck converter output capacitor. The ripple voltage across the isolated output capacitor is calculated based on the time the rectifier diode is off. During this time the entire output current is supplied by the output capacitor. The required capacitance for the worst-case ripple voltage can be calculated using Equation 24 where, ΔV<sub>ISO</sub> is the expected ripple voltage at the secondary output.

$$C_{VISO} = \frac{I_{ISO}}{\Delta V_{ISO}} \left( \frac{V_{PRI}}{V_{IN(MIN)}} \right) \times \frac{1}{f_{sw}} \quad (24)$$

Equation 24 is an approximation and ignores the ripple components associated with ESR and ESL of the output capacitor. For a ΔV<sub>ISO</sub> = 100 mV, Equation 24 requires C<sub>VISO</sub> = 11.12 μF. When selecting the C<sub>VISO</sub> output capacitors (C2 and C3 in the Figure 34), the DC bias must be considered in order to ensure sufficient capacitance over the output voltage.

### 8.2.2.3 Application Curves

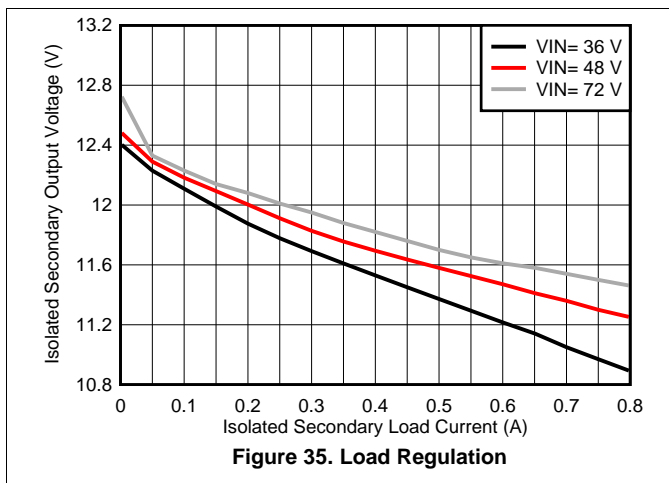


Figure 35. Load Regulation

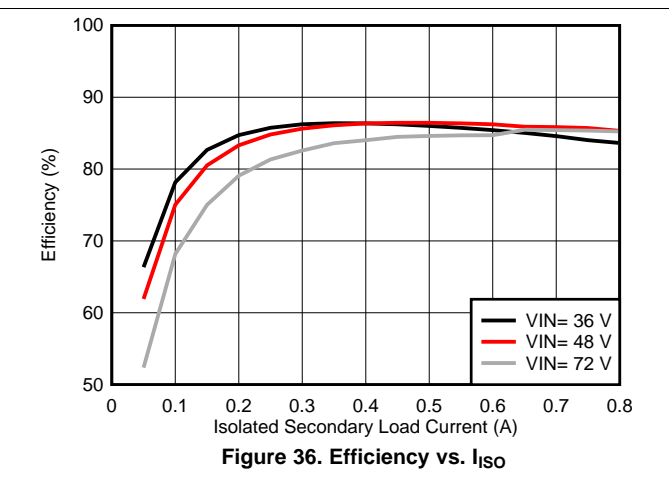


Figure 36. Efficiency vs. I<sub>ISO</sub>

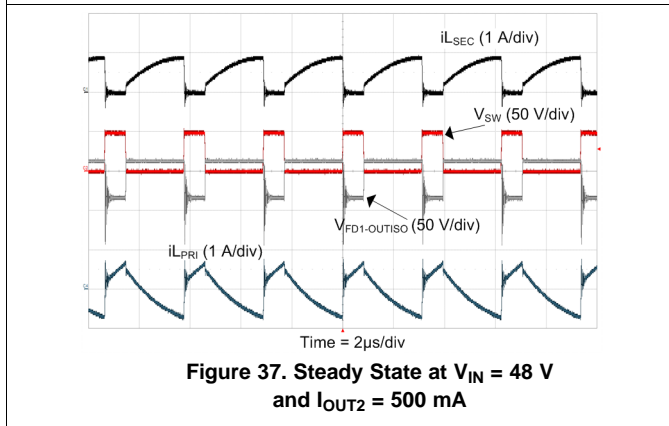


Figure 37. Steady State at V<sub>IN</sub> = 48 V and I<sub>OUT2</sub> = 500 mA

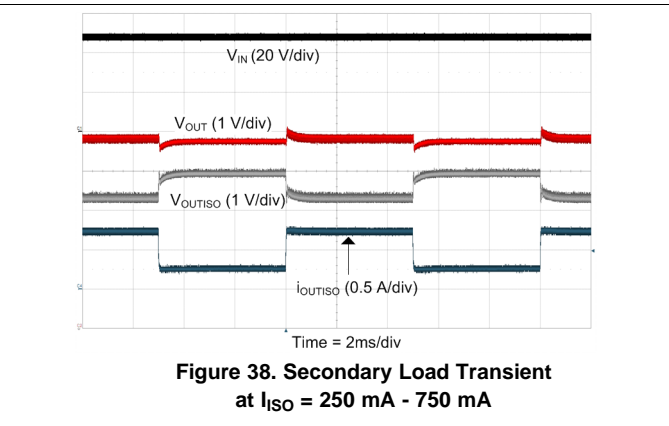
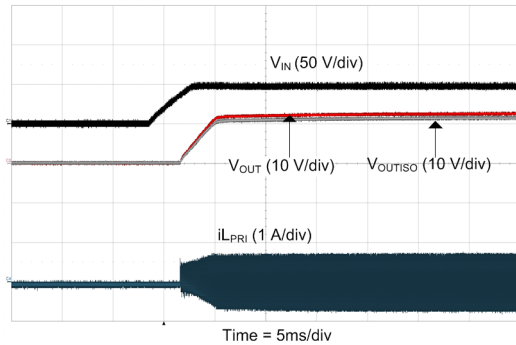
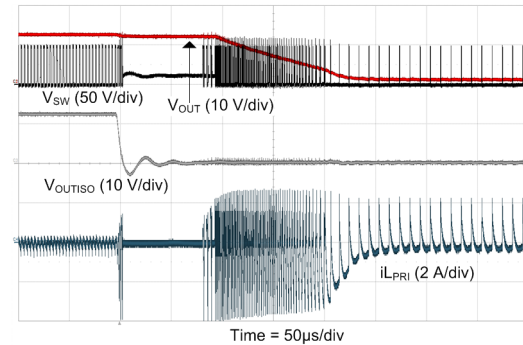


Figure 38. Secondary Load Transient at I<sub>ISO</sub> = 250 mA - 750 mA


**Figure 39. VIN Startup at  $I_{ISO} = 500 \text{ mA}$** 

**Figure 40. Secondary-Side Short at  $I_{OUT2} = 0 \text{ A}$  and  $I_{PR1} = 0 \text{ A}$** 

### 8.3 Do's and Don'ts

As mentioned earlier in [Soft-Start](#), the SS capacitor  $C_{SS}$ , must be more than 1 nF in both Buck and Fly-Buck applications. Apart from determining the startup time, this capacitor serves for the external compensation of the internal  $G_M$  error amplifier. A minimum value of 1 nF is necessary to maintain stability. The SS pin must not be left floating.

When the FPWM pin is shorted to ground or left unconnected, no external ripple injection is necessary in a Buck application. Should an external feedback ripple circuit be configured when  $FPWM = 0$ , it will produce higher ripple at the output.

Add a resistor ( $>3\Omega$ ) in series with the BST capacitor when using the part in  $FPWM = 0$ , as described in detail in [Forced Pulse Width Modulation \(FPWM\) Mode](#).

When configured as a Fly-Buck, the FPWM pin should always be connected to VCC. A Fly-Buck application must operate in the continuous conduction mode all the time in order to maintain adequate voltage regulation on the secondary side.  $FPWM = 0$  is not a valid mode in the Fly-Buck application.

## 9 Power Supply Recommendations

The LM5161-Q1 is designed to operate with an input power supply capable of supplying a voltage range between 4.5 V and 100 V. The power supply should be well regulated and capable of supplying sufficient current to the regulator during the sync buck mode or the isolated Fly-Buck mode of operation. As in all DC/DC applications, the power supply source impedance must be small compared to the converter input impedance in order to maintain the stability of the converter.

If the LM5161-Q1 is used in a buck topology with low input supply voltage (4.5 V) and large load current (1 A), it is prudent to add a large electrolytic capacitor, in parallel the  $C_{IN}$  capacitors. The electrolytic capacitor will stabilize the input voltage to the IC and prevent droop or oscillation, over the entire load range. Also, it is necessary to add the electrolytic capacitor or a ceramic capacitor in series with appropriate ESR, parallel to the input capacitors  $C_{IN}$ , in order to dampen the input voltage spikes, as seen by the LM5161-Q1 when connected to a power supply with long power leads. These input voltage spikes can easily be twice the input voltage step amplitude and a damping capacitor is necessary to contain the input voltage to less than 100V in order to protect the LM5161-Q1.

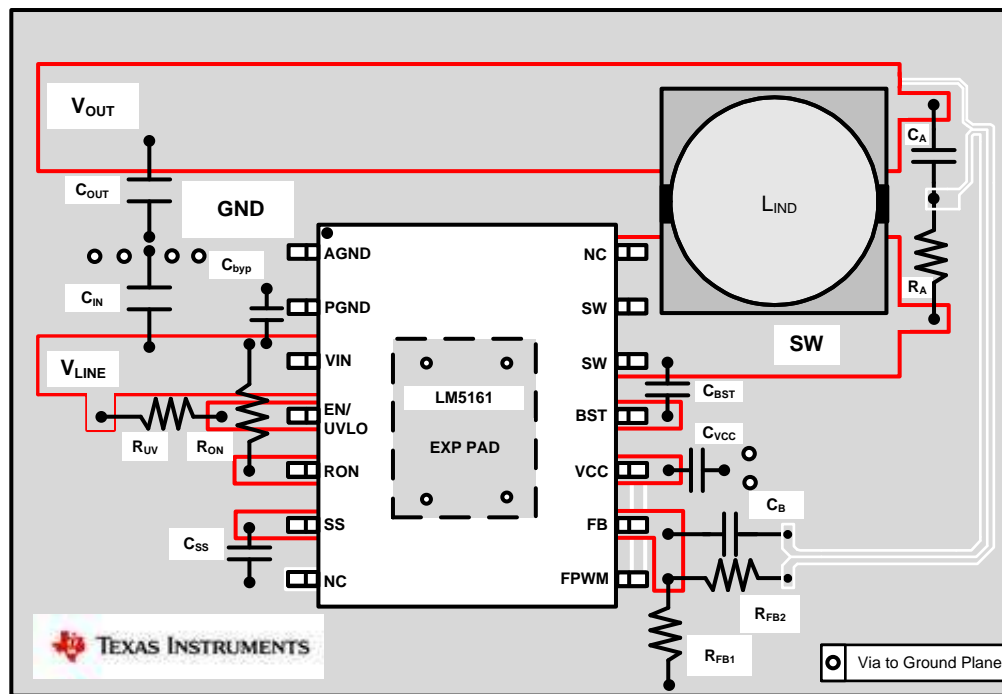
## 10 Layout

### 10.1 Layout Guidelines

A proper layout is essential for optimum performance of the circuit. In particular, observe the following layout guidelines:

- $C_{IN}$ : The loop consisting of input capacitor ( $C_{IN}$ ), VIN pin, and PGND pin carries the switching current. Therefore, in the LM5161-Q1, the input capacitor must be placed close to the IC, directly across VIN and PGND pins, and the connections to these two pins should be direct to minimize the loop area. In general it is not possible to place all of input capacitances near the IC. However, a good layout practice includes placing the bulk capacitor as close as possible to the VIN pin (see [Figure 41](#)). When using the LM5161-Q1 HTSSOP-14 package, a bypass capacitor ( $C_{byp}$ ) measuring  $\sim 0.1 \mu\text{F}$  must be placed directly across VIN and PGND (pin 3 and 2), as close as possible to the IC while complying with all layout design rules.
- The  $R_{ON}$  resistor between the VIN and the RON pin and the SS capacitor should be placed as close as possible to their respective pins.
- $C_{VCC}$  and  $C_{BST}$ : The VCC and bootstrap (BST) bypass capacitors supply switching currents to the high-side and low-side gate drivers. These two capacitors should also be placed as close to the IC as possible, and the connecting trace lengths and the loop area must be kept at minimum (see [Figure 41](#)).
- The feedback trace carries the output voltage information and a small ripple component that is necessary for proper operation of the LM5161-Q1. Therefore, care must be taken while routing the feedback trace to avoid coupling any noise into this pin. In particular, the feedback trace must be short and not run close to magnetic components, or parallel to any other switching trace.
- In FPWM=1 mode, if a ripple injection circuit is being used for ripple generation at the FB pin, it is considered a good layout practice to lay out the feedback ripple injection DC trace and the  $V_{OUT}$  trace differentially. This scheme helps in reducing the scope for any noise injection at the FB pin.
- SW trace: The SW node switches rapidly between VIN and GND every cycle and is therefore a source of noise. The SW node area must be kept at minimum. In particular, the SW node should not be inadvertently connected to a copper plane or pour.

## 10.2 Layout Example



Copyright © 2016, Texas Instruments Incorporated

Figure 41. Typical Buck Layout Example

## 11 Device and Documentation Support

### 11.1 Device Support

#### 11.1.1 Development Support

##### 11.1.1.1 Custom Design With WEBENCH® Tools

Click [here](#) to create a custom design using the LM5161-Q1 device with the WEBENCH® Power Designer.

1. Start by entering the input voltage ( $V_{IN}$ ), output voltage ( $V_{OUT}$ ), and output current ( $I_{OUT}$ ) requirements.
2. Optimize the design for key parameters such as efficiency, footprint, and cost using the optimizer dial.
3. Compare the generated design with other possible solutions from Texas Instruments.

The WEBENCH Power Designer provides a customized schematic along with a list of materials with real-time pricing and component availability.

In most cases, these actions are available:

- Run electrical simulations to see important waveforms and circuit performance
- Run thermal simulations to understand board thermal performance
- Export customized schematic and layout into popular CAD formats
- Print PDF reports for the design, and share the design with colleagues

Get more information about WEBENCH tools at [www.ti.com/WEBENCH](http://www.ti.com/WEBENCH).

### 11.2 Related Documentation

For related documentation, see the following:

- [AN-2292 Designing an Isolated Buck \(Fly-Buck\) Converter](#) (SNVA647)
- [CAN-1481 Controlling Output Ripple & Achieving ESR Independence in Constant On-Time Regulator Designs](#) (SNVA166)

### 11.3 Trademarks

E2E is a trademark of Texas Instruments.

WEBENCH is a registered trademark of Texas Instruments.

All other trademarks are the property of their respective owners.

### 11.4 Receiving Notification of Documentation Updates

To receive notification of documentation updates, navigate to the device product folder on ti.com. In the upper right corner, click on *Alert me* to register and receive a weekly digest of any product information that has changed. For change details, review the revision history included in any revised document.

### 11.5 Community Resources

The following links connect to TI community resources. Linked contents are provided "AS IS" by the respective contributors. They do not constitute TI specifications and do not necessarily reflect TI's views; see TI's [Terms of Use](#).

**TI E2E™ Online Community** *TI's Engineer-to-Engineer (E2E) Community*. Created to foster collaboration among engineers. At [e2e.ti.com](http://e2e.ti.com), you can ask questions, share knowledge, explore ideas and help solve problems with fellow engineers.

**Design Support** *TI's Design Support* Quickly find helpful E2E forums along with design support tools and contact information for technical support.

### 11.6 Electrostatic Discharge Caution



These devices have limited built-in ESD protection. The leads should be shorted together or the device placed in conductive foam during storage or handling to prevent electrostatic damage to the MOS gates.

## 11.7 Glossary

[SLYZ022](#) — *TI Glossary*.

This glossary lists and explains terms, acronyms, and definitions.

## 12 Mechanical, Packaging, and Orderable Information

The following pages include mechanical packaging and orderable information. This information is the most current data available for the designated devices. This data is subject to change without notice and revision of this document. For browser-based versions of this data sheet, refer to the left-hand navigation.



**PACKAGING INFORMATION**

| Orderable Device | Status<br>(1) | Package Type | Package Drawing | Pins | Package Qty | Eco Plan<br>(2)         | Lead/Ball Finish<br>(6) | MSL Peak Temp<br>(3) | Op Temp (°C) | Device Marking<br>(4/5) | Samples                 |
|------------------|---------------|--------------|-----------------|------|-------------|-------------------------|-------------------------|----------------------|--------------|-------------------------|-------------------------|
| LM5161QPWPRQ1    | ACTIVE        | HTSSOP       | PWP             | 14   | 2500        | Green (RoHS & no Sb/Br) | CU SN                   | Level-3-260C-168 HR  | -40 to 125   | LM5161<br>QPWPQ1        | <a href="#">Samples</a> |
| LM5161QPWPTQ1    | ACTIVE        | HTSSOP       | PWP             | 14   | 250         | Green (RoHS & no Sb/Br) | CU SN                   | Level-3-260C-168 HR  | -40 to 125   | LM5161<br>QPWPQ1        | <a href="#">Samples</a> |

(1) The marketing status values are defined as follows:

**ACTIVE:** Product device recommended for new designs.

**LIFEBUY:** TI has announced that the device will be discontinued, and a lifetime-buy period is in effect.

**NRND:** Not recommended for new designs. Device is in production to support existing customers, but TI does not recommend using this part in a new design.

**PREVIEW:** Device has been announced but is not in production. Samples may or may not be available.

**OBSOLETE:** TI has discontinued the production of the device.

(2) **RoHS:** TI defines "RoHS" to mean semiconductor products that are compliant with the current EU RoHS requirements for all 10 RoHS substances, including the requirement that RoHS substance do not exceed 0.1% by weight in homogeneous materials. Where designed to be soldered at high temperatures, "RoHS" products are suitable for use in specified lead-free processes. TI may reference these types of products as "Pb-Free".

**RoHS Exempt:** TI defines "RoHS Exempt" to mean products that contain lead but are compliant with EU RoHS pursuant to a specific EU RoHS exemption.

**Green:** TI defines "Green" to mean the content of Chlorine (Cl) and Bromine (Br) based flame retardants meet JS709B low halogen requirements of <=1000ppm threshold. Antimony trioxide based flame retardants must also meet the <=1000ppm threshold requirement.

(3) MSL, Peak Temp. - The Moisture Sensitivity Level rating according to the JEDEC industry standard classifications, and peak solder temperature.

(4) There may be additional marking, which relates to the logo, the lot trace code information, or the environmental category on the device.

(5) Multiple Device Markings will be inside parentheses. Only one Device Marking contained in parentheses and separated by a "~" will appear on a device. If a line is indented then it is a continuation of the previous line and the two combined represent the entire Device Marking for that device.

(6) Lead/Ball Finish - Orderable Devices may have multiple material finish options. Finish options are separated by a vertical ruled line. Lead/Ball Finish values may wrap to two lines if the finish value exceeds the maximum column width.

**Important Information and Disclaimer:**The information provided on this page represents TI's knowledge and belief as of the date that it is provided. TI bases its knowledge and belief on information provided by third parties, and makes no representation or warranty as to the accuracy of such information. Efforts are underway to better integrate information from third parties. TI has taken and continues to take reasonable steps to provide representative and accurate information but may not have conducted destructive testing or chemical analysis on incoming materials and chemicals. TI and TI suppliers consider certain information to be proprietary, and thus CAS numbers and other limited information may not be available for release.

In no event shall TI's liability arising out of such information exceed the total purchase price of the TI part(s) at issue in this document sold by TI to Customer on an annual basis.

**OTHER QUALIFIED VERSIONS OF LM5161-Q1 :**

- Catalog: [LM5161](#)

## NOTE: Qualified Version Definitions:

- Catalog - TI's standard catalog product

**TAPE AND REEL INFORMATION**

**QUADRANT ASSIGNMENTS FOR PIN 1 ORIENTATION IN TAPE**


\*All dimensions are nominal

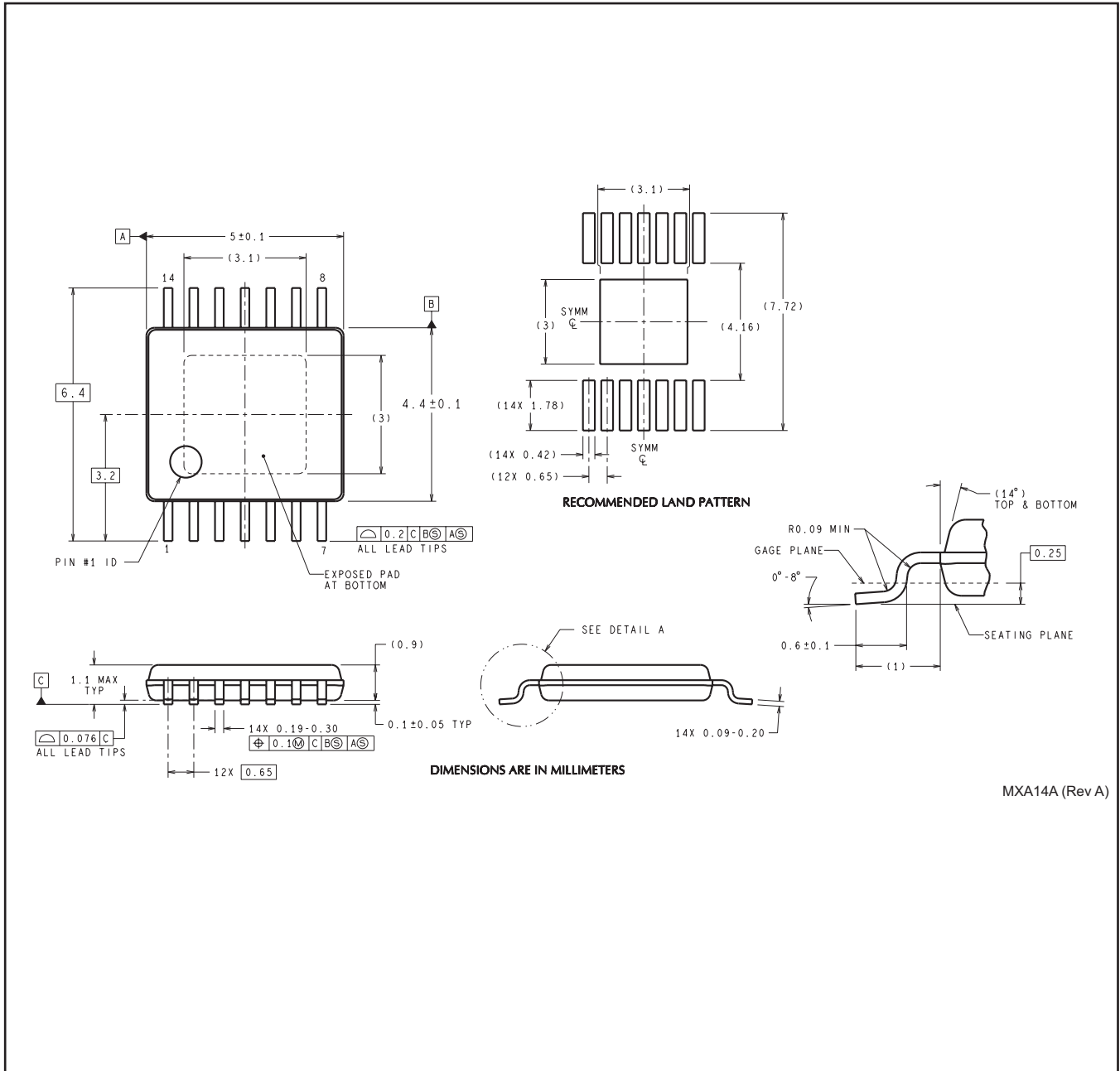
| Device        | Package Type | Package Drawing | Pins | SPQ  | Reel Diameter (mm) | Reel Width W1 (mm) | A0 (mm) | B0 (mm) | K0 (mm) | P1 (mm) | W (mm) | Pin1 Quadrant |
|---------------|--------------|-----------------|------|------|--------------------|--------------------|---------|---------|---------|---------|--------|---------------|
| LM5161QPWPRQ1 | HTSSOP       | PWP             | 14   | 2500 | 330.0              | 12.4               | 6.95    | 5.6     | 1.6     | 8.0     | 12.0   | Q1            |
| LM5161QPWPTQ1 | HTSSOP       | PWP             | 14   | 250  | 178.0              | 12.4               | 6.95    | 5.6     | 1.6     | 8.0     | 12.0   | Q1            |

**TAPE AND REEL BOX DIMENSIONS**


\*All dimensions are nominal

| Device        | Package Type | Package Drawing | Pins | SPQ  | Length (mm) | Width (mm) | Height (mm) |
|---------------|--------------|-----------------|------|------|-------------|------------|-------------|
| LM5161QPWPRQ1 | HTSSOP       | PWP             | 14   | 2500 | 367.0       | 367.0      | 35.0        |
| LM5161QPWPTQ1 | HTSSOP       | PWP             | 14   | 250  | 210.0       | 185.0      | 35.0        |

PWP0014A



MXA14A (Rev A)

## IMPORTANT NOTICE

Texas Instruments Incorporated (TI) reserves the right to make corrections, enhancements, improvements and other changes to its semiconductor products and services per JESD46, latest issue, and to discontinue any product or service per JESD48, latest issue. Buyers should obtain the latest relevant information before placing orders and should verify that such information is current and complete.

TI's published terms of sale for semiconductor products (<http://www.ti.com/sc/docs/stdterms.htm>) apply to the sale of packaged integrated circuit products that TI has qualified and released to market. Additional terms may apply to the use or sale of other types of TI products and services.

Reproduction of significant portions of TI information in TI data sheets is permissible only if reproduction is without alteration and is accompanied by all associated warranties, conditions, limitations, and notices. TI is not responsible or liable for such reproduced documentation. Information of third parties may be subject to additional restrictions. Resale of TI products or services with statements different from or beyond the parameters stated by TI for that product or service voids all express and any implied warranties for the associated TI product or service and is an unfair and deceptive business practice. TI is not responsible or liable for any such statements.

Buyers and others who are developing systems that incorporate TI products (collectively, "Designers") understand and agree that Designers remain responsible for using their independent analysis, evaluation and judgment in designing their applications and that Designers have full and exclusive responsibility to assure the safety of Designers' applications and compliance of their applications (and of all TI products used in or for Designers' applications) with all applicable regulations, laws and other applicable requirements. Designer represents that, with respect to their applications, Designer has all the necessary expertise to create and implement safeguards that (1) anticipate dangerous consequences of failures, (2) monitor failures and their consequences, and (3) lessen the likelihood of failures that might cause harm and take appropriate actions. Designer agrees that prior to using or distributing any applications that include TI products, Designer will thoroughly test such applications and the functionality of such TI products as used in such applications.

TI's provision of technical, application or other design advice, quality characterization, reliability data or other services or information, including, but not limited to, reference designs and materials relating to evaluation modules, (collectively, "TI Resources") are intended to assist designers who are developing applications that incorporate TI products; by downloading, accessing or using TI Resources in any way, Designer (individually or, if Designer is acting on behalf of a company, Designer's company) agrees to use any particular TI Resource solely for this purpose and subject to the terms of this Notice.

TI's provision of TI Resources does not expand or otherwise alter TI's applicable published warranties or warranty disclaimers for TI products, and no additional obligations or liabilities arise from TI providing such TI Resources. TI reserves the right to make corrections, enhancements, improvements and other changes to its TI Resources. TI has not conducted any testing other than that specifically described in the published documentation for a particular TI Resource.

Designer is authorized to use, copy and modify any individual TI Resource only in connection with the development of applications that include the TI product(s) identified in such TI Resource. NO OTHER LICENSE, EXPRESS OR IMPLIED, BY ESTOPPEL OR OTHERWISE TO ANY OTHER TI INTELLECTUAL PROPERTY RIGHT, AND NO LICENSE TO ANY TECHNOLOGY OR INTELLECTUAL PROPERTY RIGHT OF TI OR ANY THIRD PARTY IS GRANTED HEREIN, including but not limited to any patent right, copyright, mask work right, or other intellectual property right relating to any combination, machine, or process in which TI products or services are used. Information regarding or referencing third-party products or services does not constitute a license to use such products or services, or a warranty or endorsement thereof. Use of TI Resources may require a license from a third party under the patents or other intellectual property of the third party, or a license from TI under the patents or other intellectual property of TI.

TI RESOURCES ARE PROVIDED "AS IS" AND WITH ALL FAULTS. TI DISCLAIMS ALL OTHER WARRANTIES OR REPRESENTATIONS, EXPRESS OR IMPLIED, REGARDING RESOURCES OR USE THEREOF, INCLUDING BUT NOT LIMITED TO ACCURACY OR COMPLETENESS, TITLE, ANY EPIDEMIC FAILURE WARRANTY AND ANY IMPLIED WARRANTIES OF MERCHANTABILITY, FITNESS FOR A PARTICULAR PURPOSE, AND NON-INFRINGEMENT OF ANY THIRD PARTY INTELLECTUAL PROPERTY RIGHTS. TI SHALL NOT BE LIABLE FOR AND SHALL NOT DEFEND OR INDEMNIFY DESIGNER AGAINST ANY CLAIM, INCLUDING BUT NOT LIMITED TO ANY INFRINGEMENT CLAIM THAT RELATES TO OR IS BASED ON ANY COMBINATION OF PRODUCTS EVEN IF DESCRIBED IN TI RESOURCES OR OTHERWISE. IN NO EVENT SHALL TI BE LIABLE FOR ANY ACTUAL, DIRECT, SPECIAL, COLLATERAL, INDIRECT, PUNITIVE, INCIDENTAL, CONSEQUENTIAL OR EXEMPLARY DAMAGES IN CONNECTION WITH OR ARISING OUT OF TI RESOURCES OR USE THEREOF, AND REGARDLESS OF WHETHER TI HAS BEEN ADVISED OF THE POSSIBILITY OF SUCH DAMAGES.

Unless TI has explicitly designated an individual product as meeting the requirements of a particular industry standard (e.g., ISO/TS 16949 and ISO 26262), TI is not responsible for any failure to meet such industry standard requirements.

Where TI specifically promotes products as facilitating functional safety or as compliant with industry functional safety standards, such products are intended to help enable customers to design and create their own applications that meet applicable functional safety standards and requirements. Using products in an application does not by itself establish any safety features in the application. Designers must ensure compliance with safety-related requirements and standards applicable to their applications. Designer may not use any TI products in life-critical medical equipment unless authorized officers of the parties have executed a special contract specifically governing such use. Life-critical medical equipment is medical equipment where failure of such equipment would cause serious bodily injury or death (e.g., life support, pacemakers, defibrillators, heart pumps, neurostimulators, and implantables). Such equipment includes, without limitation, all medical devices identified by the U.S. Food and Drug Administration as Class III devices and equivalent classifications outside the U.S.

TI may expressly designate certain products as completing a particular qualification (e.g., Q100, Military Grade, or Enhanced Product). Designers agree that it has the necessary expertise to select the product with the appropriate qualification designation for their applications and that proper product selection is at Designers' own risk. Designers are solely responsible for compliance with all legal and regulatory requirements in connection with such selection.

Designer will fully indemnify TI and its representatives against any damages, costs, losses, and/or liabilities arising out of Designer's non-compliance with the terms and provisions of this Notice.