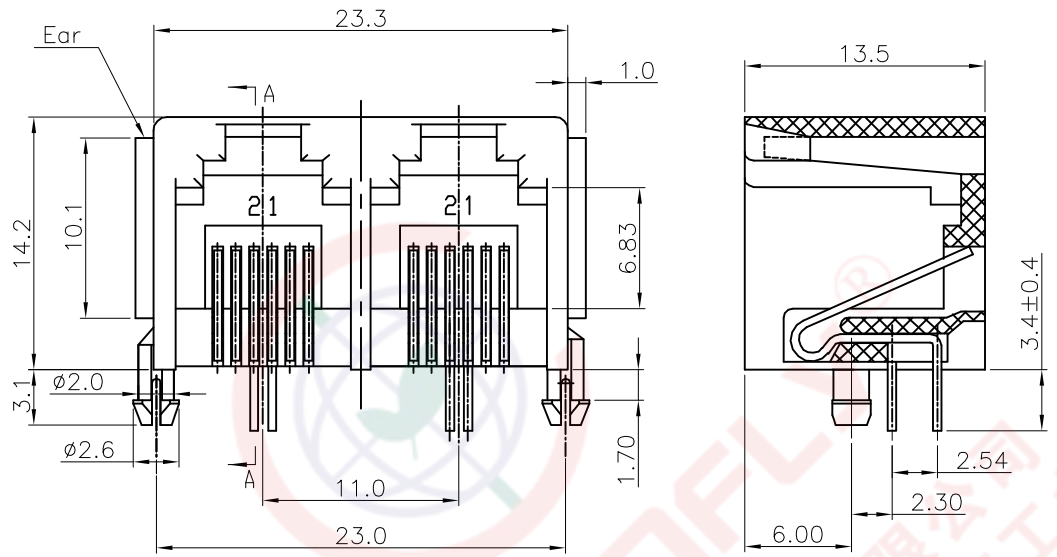


REV.	DESCRIPTION	DRAWN	CHECKED	APPROVED
A	NEW RELEASE	JLZ 05/29/18'	~	

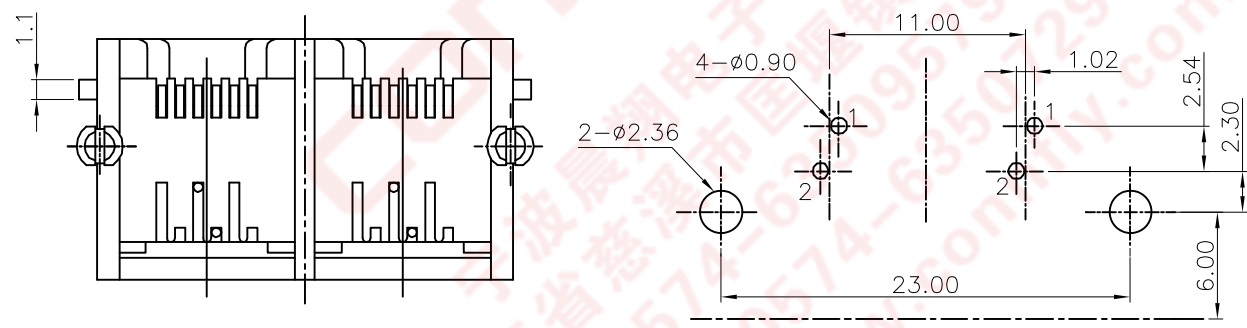


SPECIFICATION

- Insulation Resistance: 1000MΩ Min.
- Withstand Voltage: 1000V AC/Minute.
- Voltage Rating: 125V AC/DC.
- Current Rating: 1.5A.
- Temperature Range: -40~+85°C.
- Durability: 600 Mating Cycles Min.
- Product Number Code:

DS1133-09 - X X X X X X

- Ear Support
X:W/O Ear
S:W/ Ear
- Housing Materials
P:PBT
N:NYLON
- Contact Plating
8:Gold Flash
- Housing Color
A:Gray
B:Black
- No.Of Contacts
2:6P2C
- Connector Type
S:Socket



PC BOARD LAYOUT
THICKNESS=1.6mm

GENERAL TOLERANCE		ANGLE TOLERANCE		PROJECTION		TITLE	PCB Jack 6 Positions 1*2 Port W/O Shell	
X.	±0.60	X.	±5°	UNITS	mm			
.X	±0.38	.X	±3°	SHEET SIZE	A4	SERIES	DS1133-09 SERIES	
.XX	±0.25	.XX	±2°	晨翔电子有限公司 CONNFLY CONNFLY ELECTRONIC CO. LTD				
DRAWING TYPE		CUSTOMER						
SCALE	1:1	SHEET	1 OF 1					
DRAWING NO.		C-DS1133-09-XXXXX-A						