

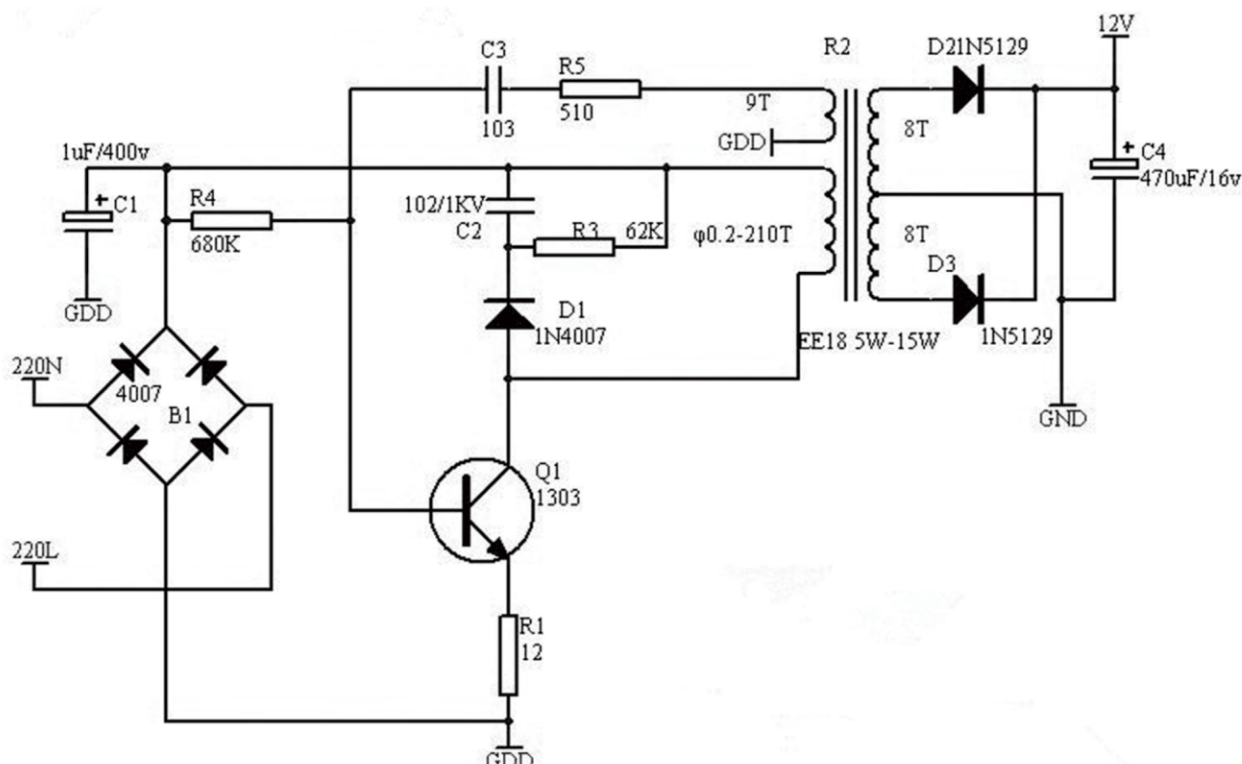
# Bridge Rectifiers 整流桥堆

1.Description:	介绍:
Bridge rectifier consists of four diodes, has four pins. The cathodic join point of two diodes is the anode of DC output of bridge, and the anodal join point of two diode is the cathode of DC output of bridge.	内部由四只二极管组成，有四个引出脚。两只二极管负极的连接点是全桥直流输出端的“正极”，两只二极管正极的连接点是全桥直流输出端的“负极”，通常用于电源交流电转直流电部分。

2.Features:	特点:	Symbol符号:
1) Small size, easy installing	1) 体积小，安装简单；	
2) Space saving	2) 可有效节省电路板空间；	
3) High surge current	3) 高抗浪涌电流能力	
4) High stability	4) 保证产品在高负荷下工作稳定；	

3.Application:	应用:
Widely applied in kinds of power supplies circuits.	各种电子产品电源电路应用。

## 4.Schematic / 应用电路图



Type	VRRM	VRMS	VDC	IFSM	CJ	IR	VF	IF	Package
	(V)	(V)	(V)	(A)	(pF)	( $\mu$ A)	(V)	(A)	

**0.5 / 0.8 Ampere / MB-S**

MB2S	200	140	200	30	13	5/500	1	0.5/0.8	MB-S
MB4S	400	280	400	30	13	5/500	1	0.5/0.8	
MB6S	600	420	600	30	13	5/500	1	0.5/0.8	
MB8S	800	560	800	30	13	5/500	1	0.5/0.8	
MB10S	1000	700	1000	30	13	5/500	1	0.5/0.8	


**0.8 Ampere / MB-F**

MB05F	50	35	50	35	15	5/500	1	0.8	MB-F
MB1F	100	70	100	35	15	5/500	1	0.8	
MB2F	200	140	200	35	15	5/500	1	0.8	
MB4F	400	280	400	35	15	5/500	1	0.8	
MB6F	600	420	600	35	15	5/500	1	0.8	
MB8F	800	560	800	35	15	5/500	1	0.8	
MB10F	1000	700	1000	35	15	5/500	1	0.8	


**0.5 / 0.8 Ampere / MB-M**

MB2M	200	140	200	35	13	5/500	1	0.5/0.8	MB-M
MB4M	400	280	400	35	13	5/500	1	0.5/0.8	
MB6M	600	420	600	35	13	5/500	1	0.5/0.8	
MB8M	800	560	800	35	13	5/500	1	0.5/0.8	
MB10M	1000	700	1000	35	13	5/500	1	0.5/0.8	


**0.8 / 1 Ampere / ABS**

ABS2	200	140	200	30	10	10/150	0.95	0.8/1	ABS
ABS4	400	280	400	30	10	10/150	0.95	0.8/1	
ABS6	600	420	600	30	10	10/150	0.95	0.8/1	
ABS8	800	560	800	30	10	10/150	0.95	0.8/1	
ABS10	1000	700	1000	30	10	10/150	0.95	0.8/1	


**1 Ampere / DBS**

DB101S	50	35	50	50	25	10/500	1.1	1	DBS
DB102S	100	70	100	50	25	10/500	1.1	1	
DB103S	200	140	200	50	25	10/500	1.1	1	
DB104S	400	280	400	50	25	10/500	1.1	1	
DB105S	600	420	600	50	25	10/500	1.1	1	
DB106S	800	560	800	50	25	10/500	1.1	1	
DB107S	1000	700	1000	50	25	10/500	1.1	1	

