

## GENERAL DESCRIPTION

OB2225M is a high performance, high precision and low cost PWM Power switch for non-isolated buck and buck-boost application. It combines a dedicated current mode PWM controller with a high voltage power Bipolar in SOP8 package. Its built-in error amplifier is optimized for good overshoot and dynamic response for low cost and component count. With precise inner resistor divider, precise reference of EA, constant voltage regulation of 12V at universal AC input can be guaranteed. Frequency reduction and burst mode control is implemented for high efficiency at light load. Good EMI performance is achieved with On-Bright proprietary frequency shuffling technique and soft base driver design. Low startup current and low operating current contribute to a reliable power on startup and low standby power consumption with OB2225M. Constant power operation is supported at over load application with OB2225M, which makes it suitable for small home appliance application where instant large power consumption is required such as start-up of a fan.

OB2225M offers power on soft start control and protection coverage with auto-recovery features including cycle-by-cycle current limiting, output short circuit protection, on-chip Over Temperature Protection (OTP), VDD Over Voltage Protection (OVP), and VDD Under Voltage Lockout Protection (UVLO).

The tone energy at below 20KHz is minimized in the design so that audio noise is eliminated during operation.

OB2225M is offered in SOP8 package.

## FEATURES

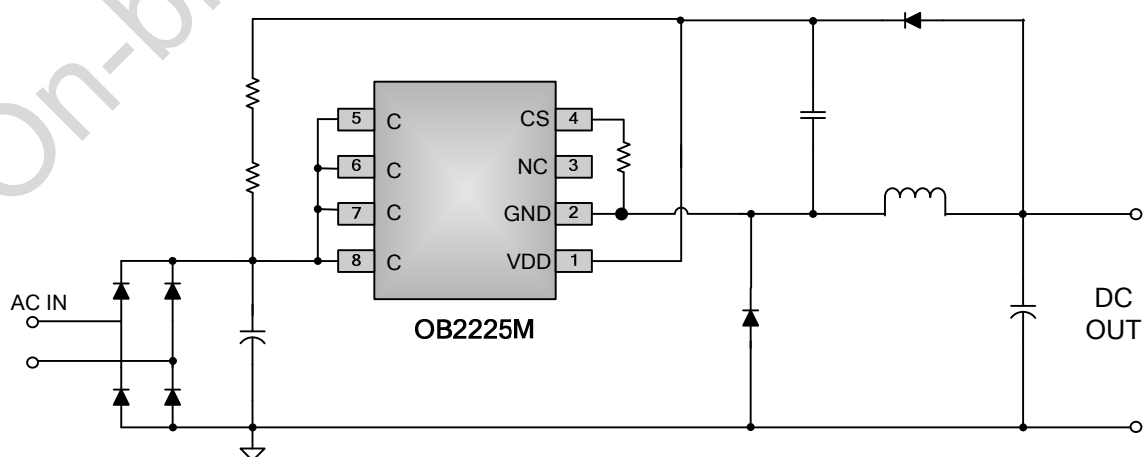
- Universal AC input range and 12V output voltage
- Constant power mode operation at over load application
- Low cost and less BOM for buck and buck-boost applications
- Current mode control
- 40kHz (typical) maximum switching frequency
- Frequency-reduction and burst mode control for high efficiency
- Frequency shuffling for EMI improvement
- Power on soft-start
- Built-in Leading Edge Blanking (LEB)
- Cycle-by-cycle current limiting
- Output short-circuit protection
- VDD Under Voltage Lockout with Hysteresis
- VDD OVP
- On-Chip OTP

## APPLICATIONS

Low power AC/DC offline SMPS for

- Small home appliance
- Linear regulator/RCC replacement

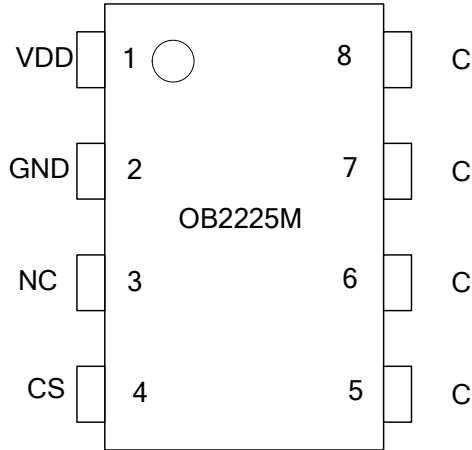
## TYPICAL APPLICATION



### GENERAL INFORMATION

#### Pin Configuration

The pin map is shown as below for SOP8



#### Output Power Table

Topology	90~264Vac Input (open frame)
Buck/Buck-Boost	200mA

#### Absolute Maximum Ratings

Parameter	Value
C-B Voltage	700V
VDD Voltage	-0.3 to 20V
CS Input Voltage	-0.3 to 7V
Min/Max Operating Junction Temperature $T_J$	-40 to 150 °C
Operating Ambient Temperature $T_A$	-40 to 85 °C
Min/Max Storage Temperature $T_{stg}$	-55 to 150 °C
Lead Temperature (Soldering, 10secs)	260 °C

**Note:** Stresses beyond those listed under "absolute maximum ratings" may cause permanent damage to the device. These are stress ratings only, functional operation of the device at these or any other conditions beyond those indicated under "recommended operating conditions" is not implied. Exposure to absolute maximum-rated conditions for extended periods may affect device reliability.

#### Ordering Information

Part Number	Description
OB2225MCP	SOP8, Pb-free, Tube
OB2225MCPA	SOP8, Pb-free, T&R

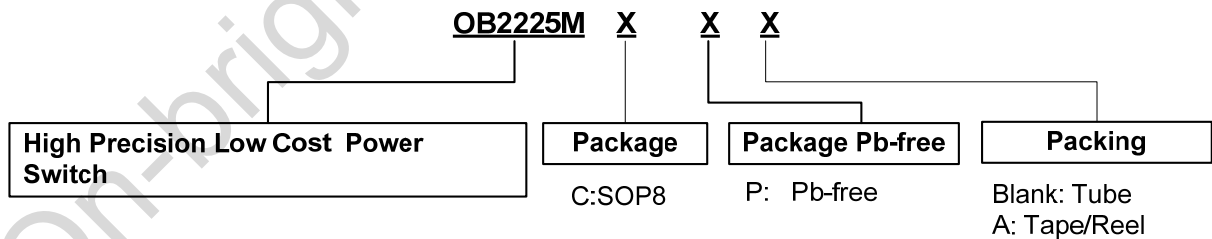
#### Package Dissipation Rating

Package	R $\theta$ JA (°C/W)
SOP8	90

**Note:** Drain Pin Connected 100mm<sup>2</sup> PCB copper clad.

#### Recommended Operating Condition

Symbol	Parameter	Range
VDD	VDD Supply Voltage	5.5 to 12V



### Marking Information

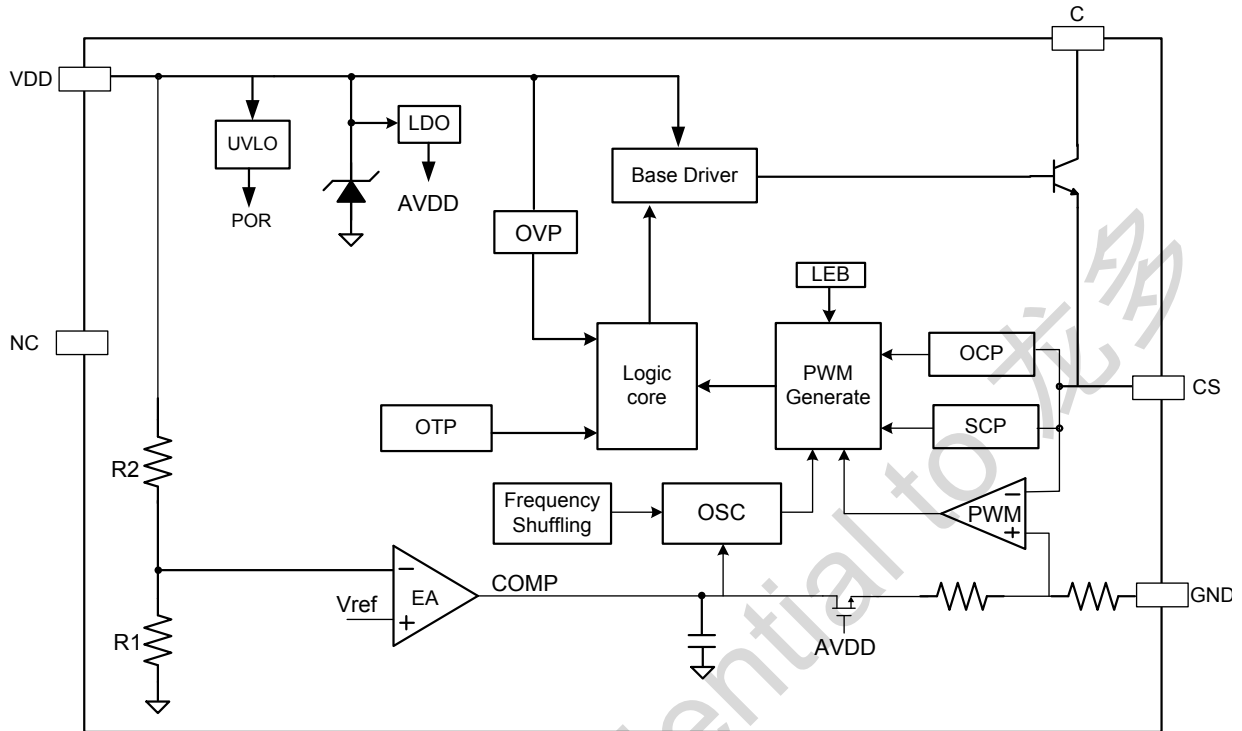


Y: Year Code  
 WW: Week Code(01-52)  
 ZZZ: Lot Code  
 C: SOP8 Package  
 P: Pb-free Package  
 S: Internal Code(Optional)

### TERMINAL ASSIGNMENTS

Pin Num	Pin Name	I/O	Description
1	VDD	I	Power Supply and Output Voltage Feedback
2	GND	P	Ground
3	NC	NC	It should be floating or connect ground during normal operation state
4	CS	I	Current sense input
5/6/7/8	C	O	Power bipolar collector pins.

**BLOCK DIAGRAM**

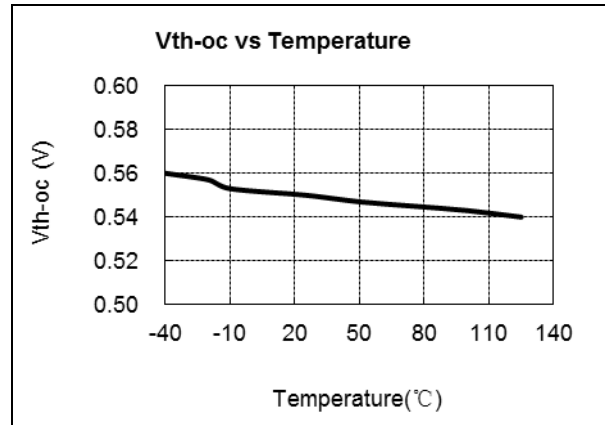
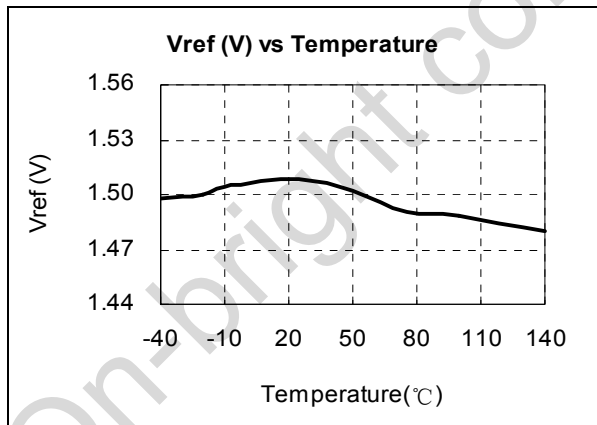
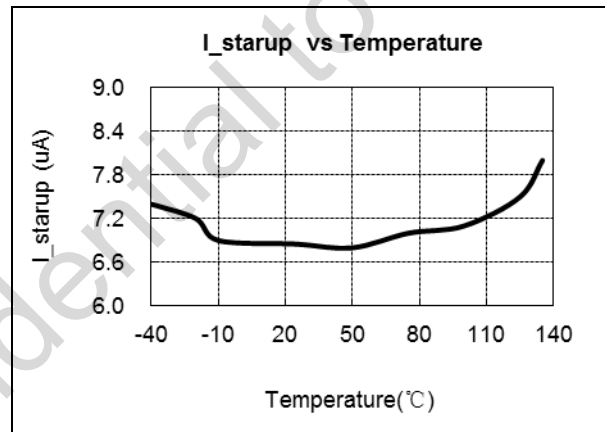
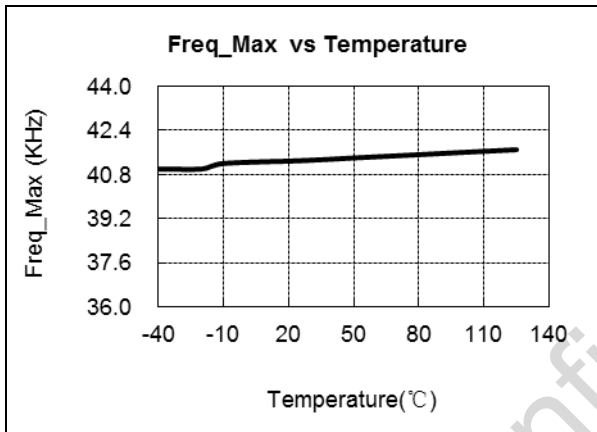
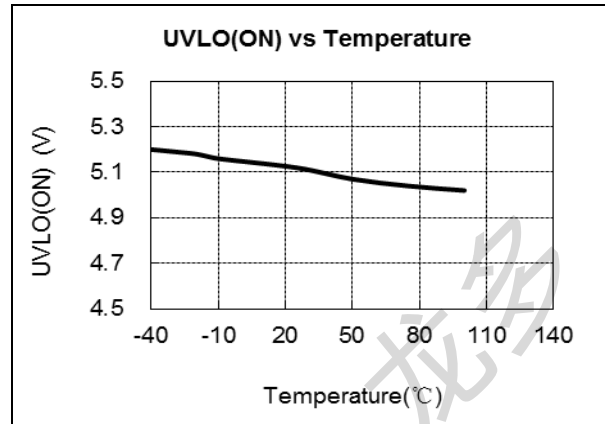
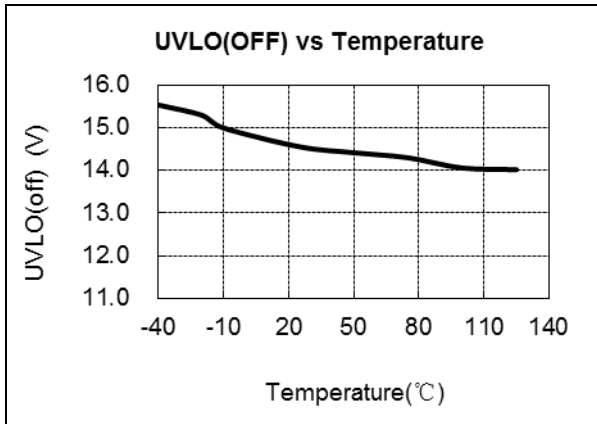


**ELECTRICAL CHARACTERISTICS**

 (T<sub>A</sub> = 25°C, VDD=12V, if not otherwise noted)

Symbol	Parameter	Test Conditions	Min	Typ.	Max	Unit
<b>Supply Voltage (VDD) Section</b>						
I <sub>_startup</sub>	Standby Current	VDD=UVLO(off) -1V			10	μA
I <sub>_VDD_op</sub>	Operation Current	Operation supply current CS=0.5V	-	1.5	2	mA
		Operation supply current VDD=13V		0.45	0.6	mA
UVLO(ON)	VDD Under Voltage Lockout Enter	VDD falling, gate disappear	4	5	6	V
UVLO(OFF)	VDD Under Voltage Lockout Exit	VDD rising	13	14	15	V
OVP	Over voltage protection Threshold	Ramp VDD until gate shut down	14.5	15.5	17	V
VDD Regulation Voltage	In normal regulation, VDD will be regulated to average of 12.6V			12.6		V
<b>Current Sense Input Section</b>						
TLEB	LEB time		250	300	350	ns
V <sub>th_oc</sub>	Over current detection Threshold voltage		550	575	600	mV
T <sub>d_oc</sub>	OCP propagation delay			50	100	ns
V <sub>th_scp</sub>	Short Current protection threshold voltage		0.6	0.7	0.8	V
V <sub>th_fit</sub>	CS floating protection threshold voltage		0.9	1.0	1.1	V
<b>EA Section</b>						
V <sub>ref</sub>	EA reference		1.44	1.5	1.56	V
K <sub>vdd/vref</sub>	VDD divider coefficient			8.5		
<b>Frequency Section</b>						
F <sub>req_Max</sub>	IC Maximum frequency		36	40	44	KHz
Δf/Freq	Frequency shuffling range			+/-8		%
F <sub>_shuffling</sub>	Shuffling frequency			78		Hz
D <sub>max</sub>	Maximum Duty Cycle		7	11	15	%
F <sub>_Burst</sub>	Burst Mode Switch Frequency			20		KHz
<b>Base Driver Section</b>						
I <sub>s_max</sub>	Base sourcing maximum current			60		mA
I <sub>s_preoff</sub>	Base sourcing current after pre-off			1		mA
<b>Protection Section</b>						
OTP	Power switch temperature for exiting over temperature protection			125		°C
	Power switch temperature for entering over temperature protection			150		°C
<b>Power BJT Section</b>						
V <sub>ceo</sub>	Collector-emitter breakdown voltage	I <sub>c</sub> =10mA, I <sub>b</sub> =0	450			V
V <sub>cbo</sub>	Collector-base breakdown voltage	I <sub>c</sub> =10mA	700			V
I <sub>c</sub>	Collect Peak Current			1.0		A

**CHARACTERIZATION PLOTS**



## OPERATION DESCRIPTION

OB2225M is a cost effective PWM power switch optimized for off-line non-isolated buck or buck-boost applications for small home appliances and linear regulator replacement. It operates in current mode and regulates output voltage with dedicated features. High integration can afford low cost and component count solution.

### Startup Current and Start up Control

Startup current of OB2225M is designed to be very low so that VDD could be charged up above UVLO threshold and starts up quickly. A large value startup resistor can therefore be used to minimize the power loss in application.

### Operating Current

The Operating current of OB2225M is as low as 1.5mA (typical). Good efficiency is achieved with the low operation current together with 'Multi-mode' control features.

### PWM operation

The maximum switching frequency of OB2225M is internally fixed at 40KHz (typical). No external frequency setting components are required for PCB design simplification.

At light load or zero load condition, most of the power dissipation in a switching mode power supply is from switching loss on the BJT. The magnitude of power loss is in proportion to the switching frequency. Lower switching frequency leads to the reduction on the power loss and thus conserves the energy. The frequency reduction and burst mode operation are implemented to achieve high efficiency at light load. The minimum switching frequency is 20KHz (typical).

### Frequency shuffling for EMI improvement

The frequency shuffling (switching frequency modulation) is implemented in OB2225M. The oscillation frequency is modulated so that the tone energy is spread out. The spread spectrum minimizes the conduction band EMI and therefore eases the system design.

### Soft Start

OB2225M features an internal 256 cycles (typical) soft start to soften the electrical stress occurring in the power supply during startup. It is activated during the power on sequence. After VDD reaches UVLO(OFF), the switching frequency is gradually increased from 10KHz to 40KHz. Every restart up is followed by a soft start.

### Current Sensing and Leading Edge Blanking

Cycle-by-Cycle current limiting is offered in OB2225M current mode PWM control. The switch current is detected by a sense resistor into the CS pin. An internal leading edge blanking circuit chops off the sensed voltage spike at initial internal BJT on state so that the external RC filtering on sense input is no longer needed. The PWM duty cycle is determined by the current sense input voltage and the EA output voltage.

### Constant Power Operation Mode

Along with the increase of output current, the inductance current is up to the  $V_{thoc}$  threshold. With the increase in output current, output voltage declines with output power is kept in a about constant level. This is suitable for peak current application.

### Base Driver

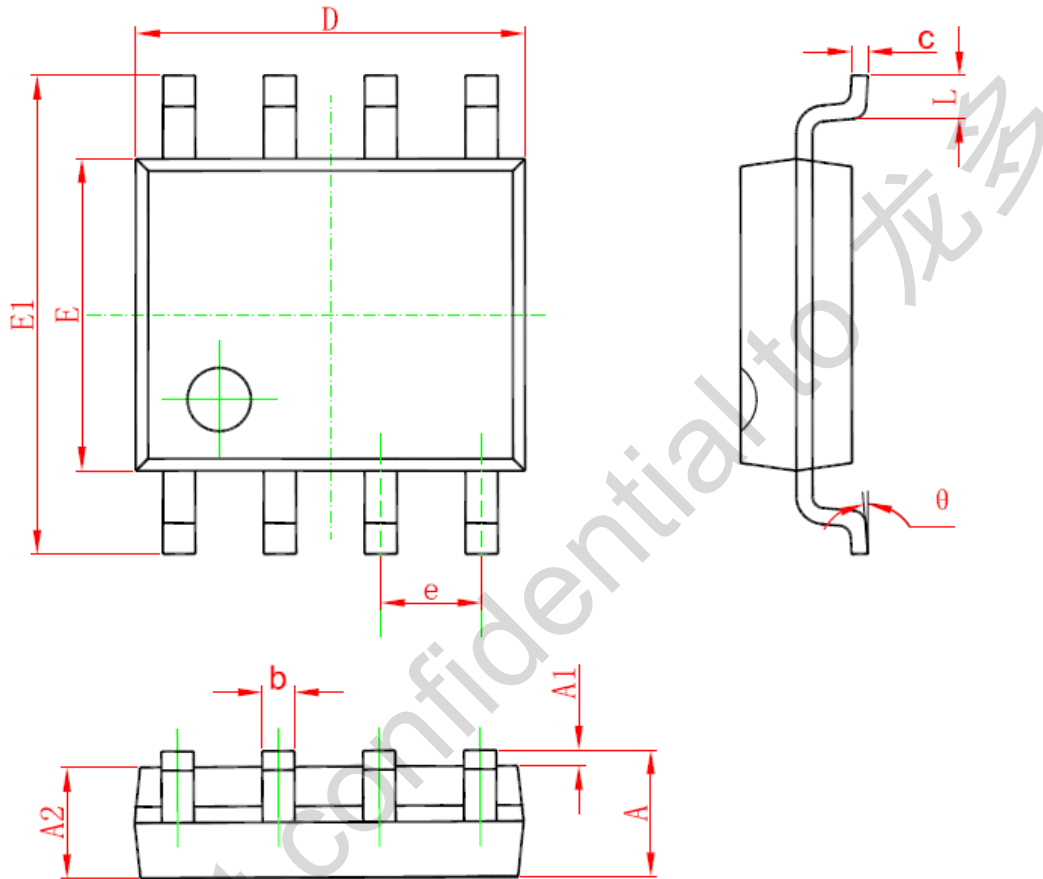
The drive is a push pull stage with supply voltage VDD. It provides the driving current for the external power bipolar transistor. The sourcing current is limited to  $I_{s\_max}$  (typical 60mA).

### Protection Control

Good power supply system reliability is achieved with its rich protection features including cycle-by-cycle current limiting, Output short circuit protection, on-chip Over Temperature Protection (OTP), VDD Over Voltage Protection (OVP), and VDD Under Voltage Lockout Protection (UVLO).

**PACKAGE MECHANICAL DATA**

**SOP8 PACKAGE OUTLINE DIMENSIONS**



Symbol	Dimensions In Millimeters		Dimensions In Inches	
	Min	Max	Min	Min
A	1.350	1.750	0.053	0.069
A1	0.050	0.250	0.002	0.010
A2	1.250	1.650	0.049	0.065
b	0.310	0.510	0.012	0.020
c	0.170	0.250	0.006	0.010
D	4.700	5.150	0.185	0.203
E	3.800	4.000	0.150	0.157
E1	5.800	6.200	0.228	0.244
e	1.270 (BSC)		0.05 (BSC)	
L	0.400	1.270	0.016	0.050
θ	0°	8°	0°	8°



## **IMPORTANT NOTICE**

### **RIGHT TO MAKE CHANGES**

On-Bright Electronics Corp. reserves the right to make corrections, modifications, enhancements, improvements and other changes to its products and services at any time and to discontinue any product or service without notice. Customers should obtain the latest relevant information before placing orders and should verify that such information is current and complete.

### **WARRANTY INFORMATION**

On-Bright Electronics Corp. warrants performance of its hardware products to the specifications applicable at the time of sale in accordance with its standard warranty. Testing and other quality control techniques are used to the extent it deems necessary to support this warranty. Except where mandated by government requirements, testing of all parameters of each product is not necessarily performed.

On-Bright Electronics Corp. assumes no liability for application assistance or customer product design. Customers are responsible for their products and applications using On-Bright's components, data sheet and application notes. To minimize the risks associated with customer products and applications, customers should provide adequate design and operating safeguards.

### **LIFE SUPPORT**

On-Bright Electronics Corp.'s products are not designed to be used as components in devices intended to support or sustain human life. On-bright Electronics Corp. will not be held liable for any damages or claims resulting from the use of its products in medical applications.

### **MILITARY**

On-Bright Electronics Corp.'s products are not designed for use in military applications. On-Bright Electronics Corp. will not be held liable for any damages or claims resulting from the use of its products in military applications.