

IDEAS GENERATED DRAWING, DO NOT CHANGE BY HAND.

REV.	ECN. NO.	APPD.
A	BC-10-0052206	Herry Yang
B	BC-10-0075105	Herry Yang
C	BC-11-0028404	Herry Yang

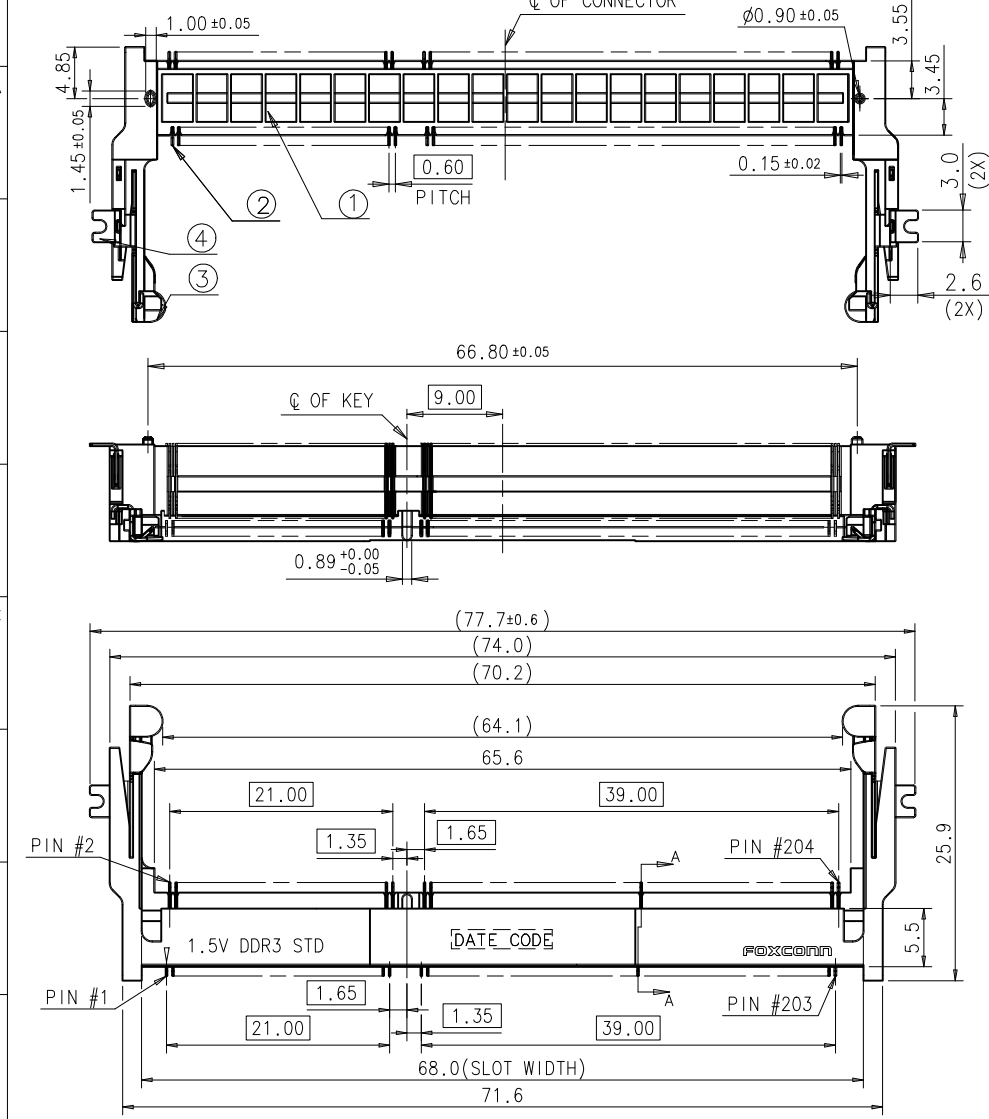
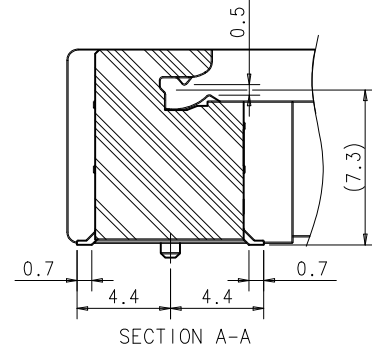
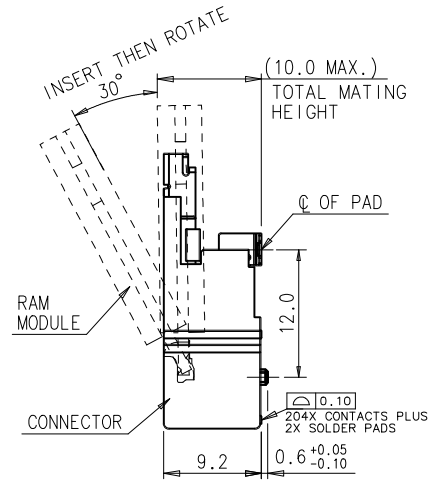
NOTES:

- ELECTRICAL CHARACTERISTICS:
 - CONTACT CURRENT RATING: 0.5 AMPERE MAX. PER PIN.
(PER PIN) DOESN'T EXCEED 30°C ABOVE AMBIENT AT 0.5 AMPERE MAX. PER PIN.
 - VOLTAGE RATING: 25V AC.
 - CONTACT RESISTANCE : 50 MILLIOHMS MAX. PER PIN INITIAL.
60 MILLIOHMS MAX. PER PIN AFTER FULL ENVIRONMENTAL TESTING.
- MECHANICAL CHARACTERISTICS: DURABILITY: 25 MATING CYCLES.
- OPERATION TEMPERATURE: -55°C TO +85°C.
- PLEASE CONTACT FOXCONN SALES REPRESENTATIVE TO VERIFY PRODUCT DETAIL & AVAILABILITY.

PART NO. DESCRIPTION: A S O A6 2 * - H A S N * H

MEMORY MODULE SOCKET
HORIZONTAL TYPE
SINGLE ROW
NO. OF POS.
A6 = 204 POS.
SMT
CONTACT AREA PLATING
6=10u* GOLD PLATING
1=GOLD FLASH

H=HALOGEN/LEAD FREE
4=SOFT TRAY
7=TAPE REEL
N=GENERAL TYPE
S=STANDARD
A=9.2mm HEIGHT
DDR CONNECTOR

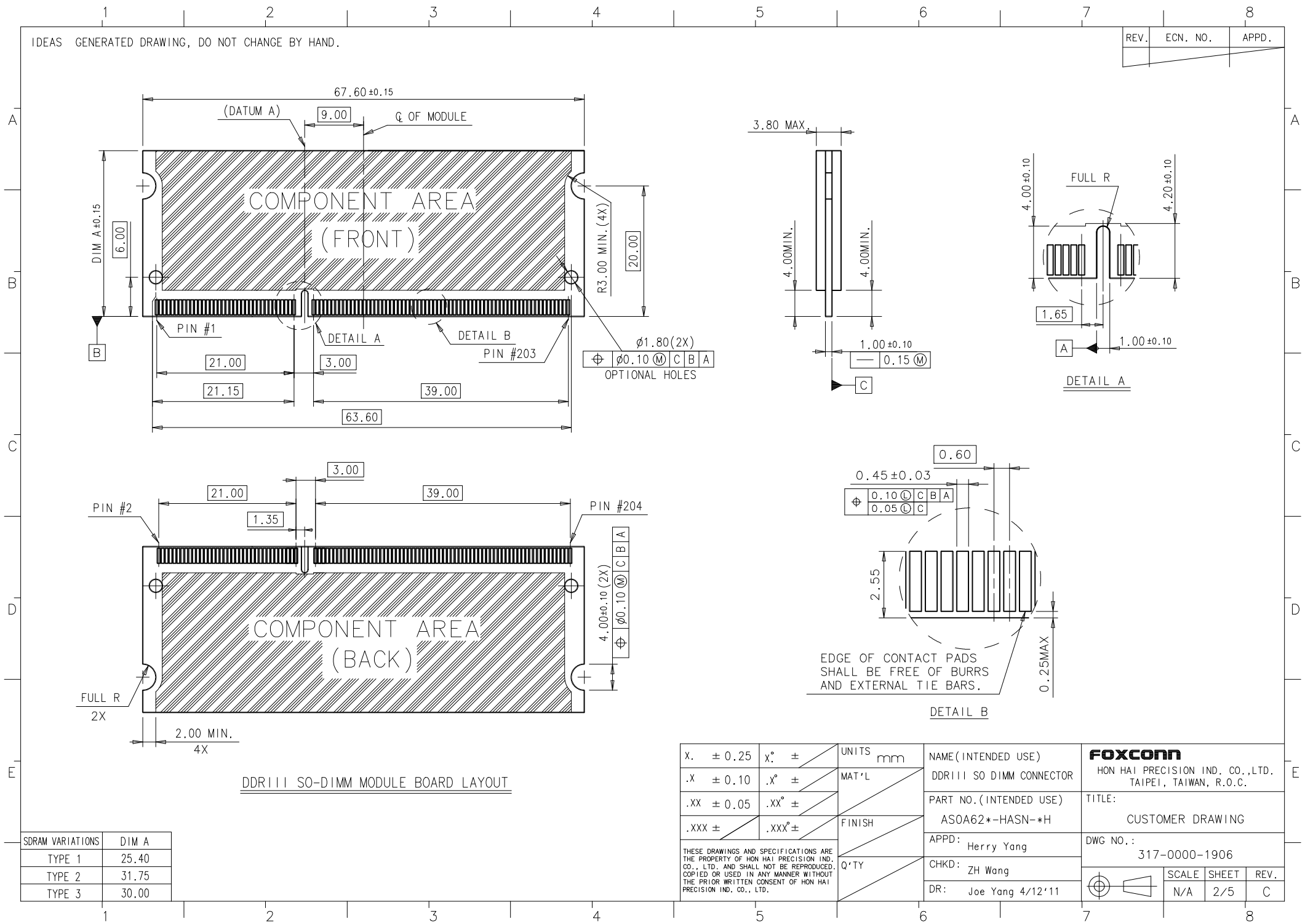


ITEM	DESCRIPTION	Q'TY	MATERIAL	TREATMENT
④	METAL PAD	2	COPPER ALLOY	50u* NICKEL UNDER PLATING OVER ALL 2u* Pd PLATING OVER SOLDER AREA
③	METAL SPRING	2	COPPER ALLOY	50u* NICKEL PLATING OVER ALL
②	CONTACT	204	COPPER ALLOY	50u* NICKEL UNDER PLATING GOLD FLASH AT TAIL 10u* GOLD PLATING OR GOLD FLASH AT CONTACT AREA
①	HOUSING	1	THERMOPLASTIC	UL94V-0, HALOGEN-FREE, IVORY COLOR

X. ± 0.30	X° ±	UNITS mm	NAME (INTENDED USE)	FOXCONN HON HAI PRECISION IND. CO., LTD. TAIPEI, TAIWAN, R.O.C.
.X ± 0.25	.X° ±		DDRIII SO DIMM CONNECTOR	
.XX ± 0.15	.XX° ±	FINISH	PART NO. (INTENDED USE)	TITLE:
.XXX ±	.XXX° ±		ASOA62*-HASN-*H	CUSTOMER DRAWING
THESE DRAWINGS AND SPECIFICATIONS ARE THE PROPERTY OF HON HAI PRECISION IND. CO., LTD. AND SHALL NOT BE REPRODUCED, COPIED OR USED IN ANY MANNER WITHOUT THE PRIOR WRITTEN CONSENT OF HON HAI PRECISION IND. CO., LTD.			APPD: Herry Yang	DWG NO.:
			CHKD: ZH Wang	317-0000-1906
			DR: Joe Yang 4/12'11	SCALE SHEET REV. N/A 1/5 C

IDEAS GENERATED DRAWING, DO NOT CHANGE BY HAND.

REV.	ECN. NO.	APPD.



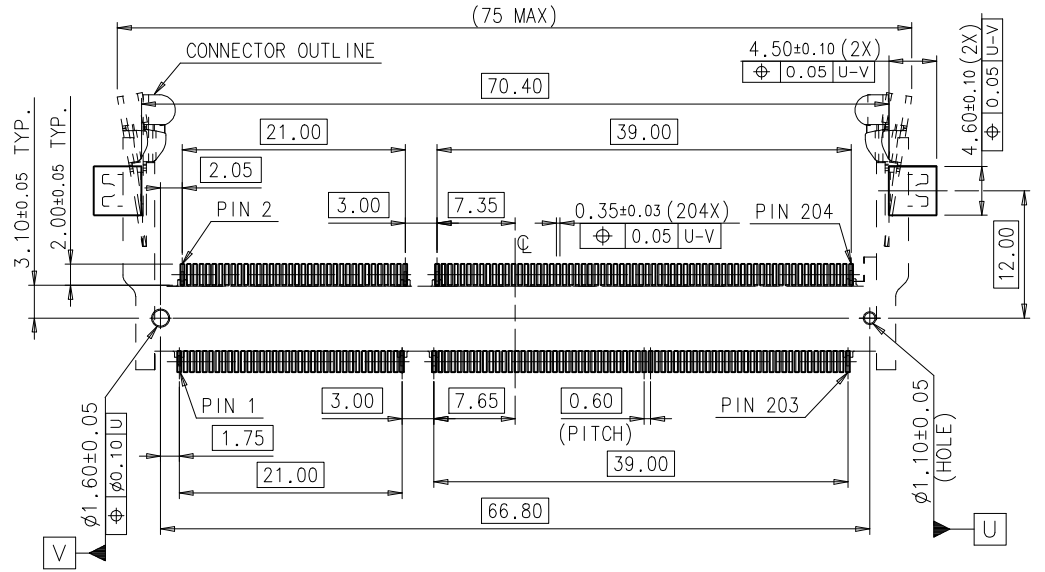
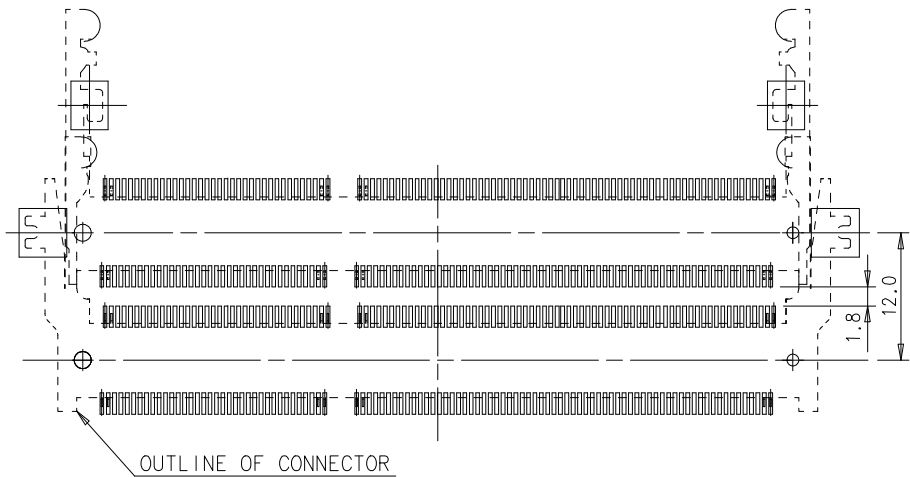
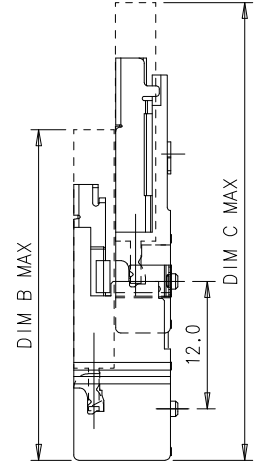
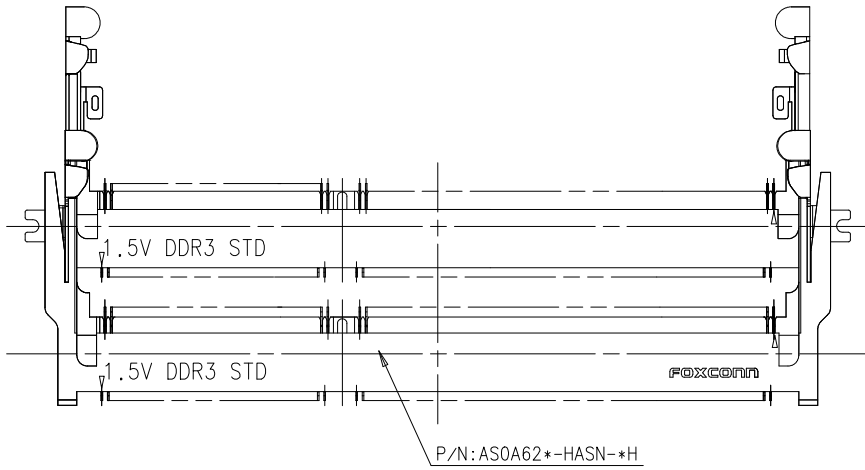
DDR III SO-DIMM MODULE BOARD LAYOUT

SDRAM VARIATIONS	DIM A
TYPE 1	25.40
TYPE 2	31.75
TYPE 3	30.00

X. ± 0.25	X° ±	UNITS	mm	NAME (INTENDED USE)	FOXCONN HON HAI PRECISION IND. CO., LTD. TAIPEI, TAIWAN, R.O.C.	
.X ± 0.10	.X° ±	MAT'L		DDR III SO DIMM CONNECTOR		
.XX ± 0.05	.XX° ±			PART NO. (INTENDED USE)	TITLE:	
.XXX ±	.XXX° ±	FINISH		AS0A62*-HASN-*H	CUSTOMER DRAWING	
THESE DRAWINGS AND SPECIFICATIONS ARE THE PROPERTY OF HON HAI PRECISION IND. CO., LTD. AND SHALL NOT BE REPRODUCED, COPIED OR USED IN ANY MANNER WITHOUT THE PRIOR WRITTEN CONSENT OF HON HAI PRECISION IND. CO., LTD.				APPD: Herry Yang	DWG NO.:	
				CHKD: ZH Wang	317-0000-1906	
				DR: Joe Yang 4/12/11		
				SCALE	SHEET	REV.
				N/A	2/5	C

IDEAS GENERATED DRAWING, DO NOT CHANGE BY HAND.

REV.	ECN. NO.	APPD.

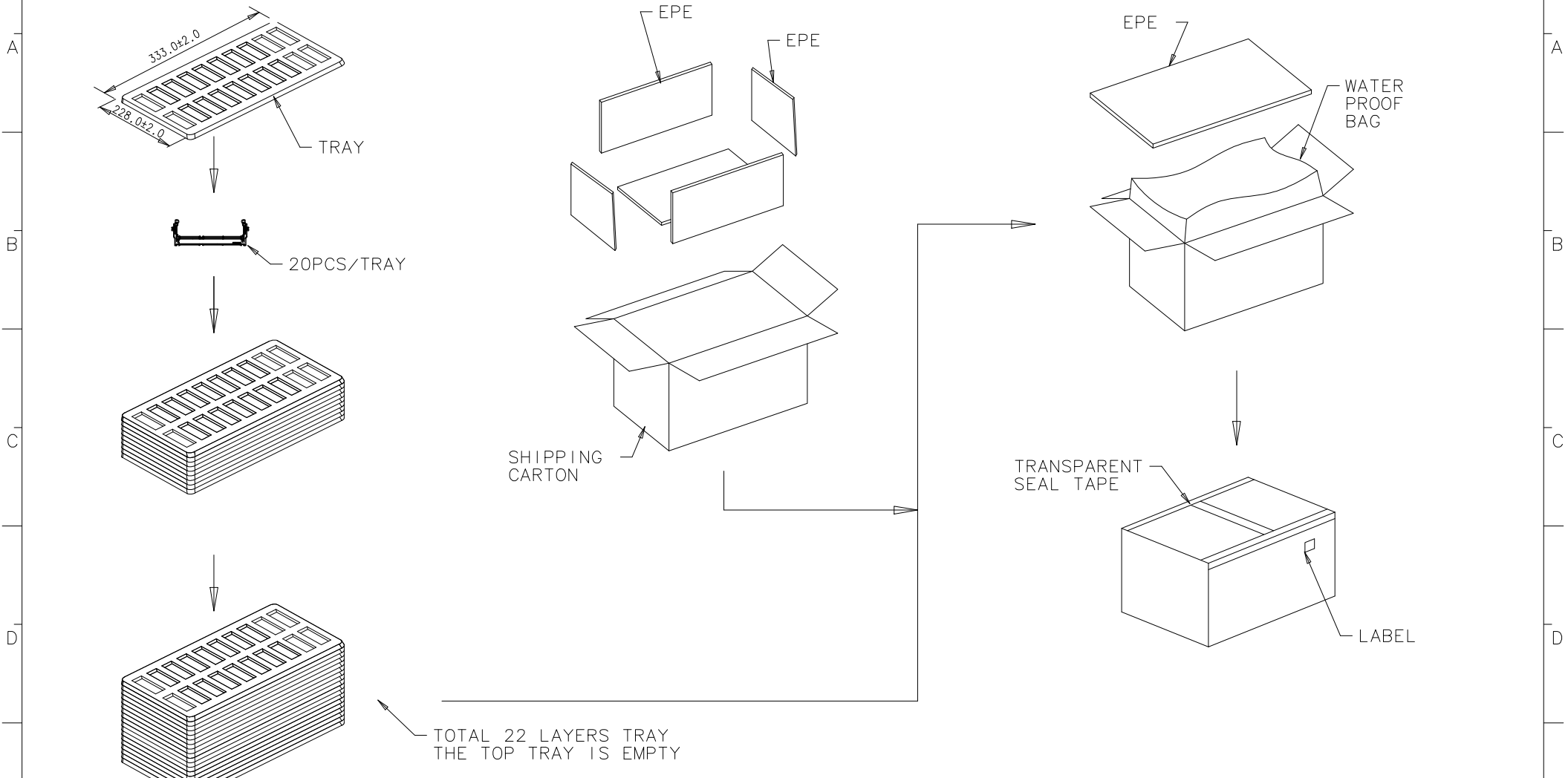


SDRAM VARIATIONS	DIM B	DIM C
TYPE 1	30.4	42.4
TYPE 2	36.7	48.7
TYPE 3	35.0	47.0

X. ± 0.25	X° ±	UNITS	mm	NAME (INTENDED USE)	FOXCONN HON HAI PRECISION IND. CO., LTD. TAIPEI, TAIWAN, R.O.C.	
.X ± 0.10	.X° ±		MAT'L	DDRIII SO DIMM CONNECTOR		
.XX ± 0.05	.XX° ±	FINISH		PART NO. (INTENDED USE)	TITLE:	
.XXX ±	.XXX° ±			AS0A62*-HASN-*H	CUSTOMER DRAWING	
THESE DRAWINGS AND SPECIFICATIONS ARE THE PROPERTY OF HON HAI PRECISION IND. CO., LTD. AND SHALL NOT BE REPRODUCED, COPIED OR USED IN ANY MANNER WITHOUT THE PRIOR WRITTEN CONSENT OF HON HAI PRECISION IND. CO., LTD.				APPD: Herry Yang	DWG NO.:	
				CHKD: ZH Wang	317-0000-1906	
				DR: Joe Yang 4/12'11		
				SCALE	SHEET	REV.
				N/A	3/5	C

IDEAS GENERATED DRAWING, DO NOT CHANGE BY HAND.

REV.	ECN.	NO.	APPD.



NOTES:

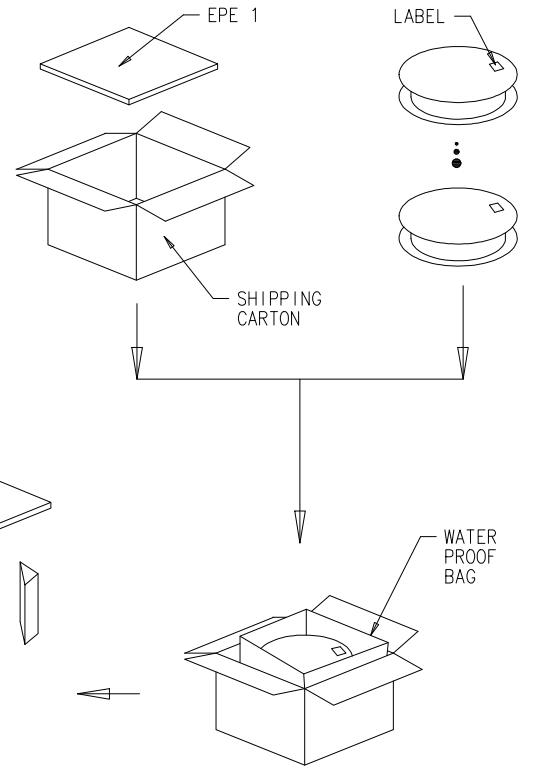
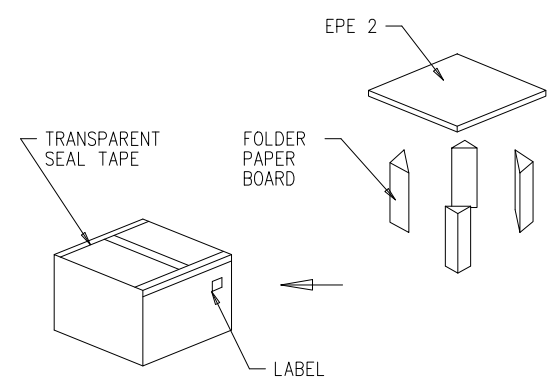
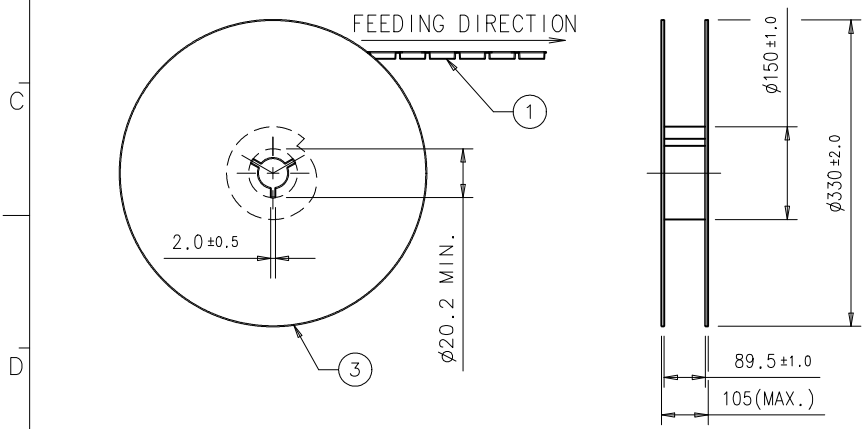
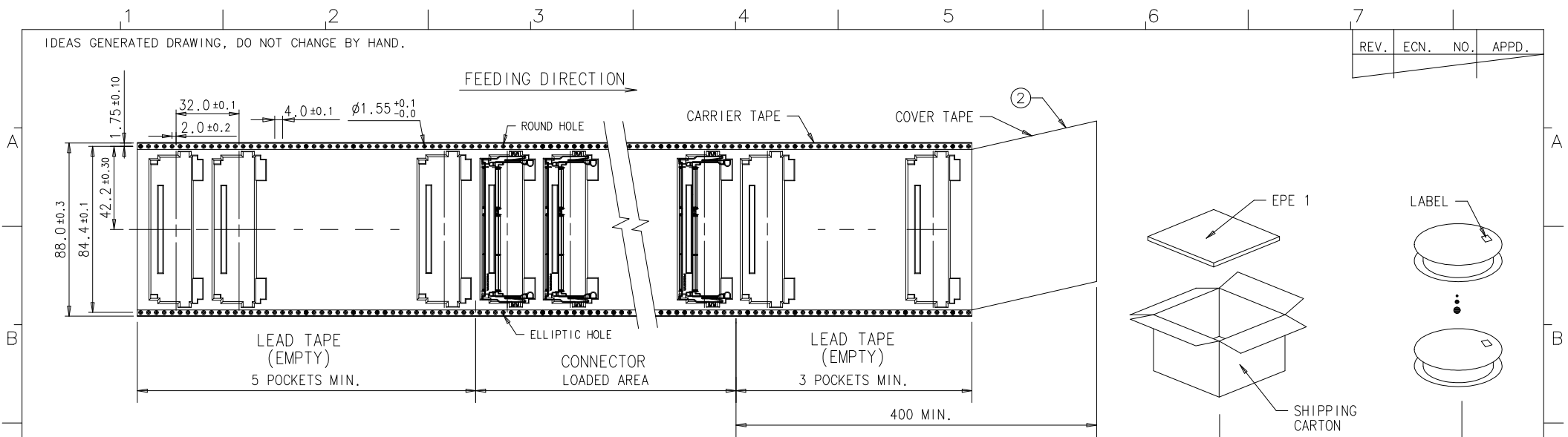
- PACKING CAPACITY : 20 PCS/TRAY, 21 TRAYS/BOX,
TOTAL 420 PCS/BOX.

X. ± 1.5	X° ±	UNITS	mm	NAME (INTENDED USE)	FOXCONN HON HAI PRECISION IND. CO., LTD. TAIPEI, TAIWAN, R.O.C.	
.X ± 1.0	.X° ±	MAT'L		DDRIII SO DIMM CONNECTOR		
.XX ± 0.2	.XX° ±	FINISH		PART NO. (INTENDED USE)	TITLE:	
.XXX ±	.XXX° ±		ASOA62*-HASN-*H	CUSTOMER DRAWING		
THESE DRAWINGS AND SPECIFICATIONS ARE THE PROPERTY OF HON HAI PRECISION IND. CO., LTD. AND SHALL NOT BE REPRODUCED, COPIED OR USED IN ANY MANNER WITHOUT THE PRIOR WRITTEN CONSENT OF HON HAI PRECISION IND. CO., LTD.				APPD: Herry Yang	DWG NO.:	
				CHKD: ZH Wang	317-0000-1906	
				DR: Joe Yang 4/12'11		
CONNECTOR P/N		ASOA62*-HASN-4H		SCALE	SHEET	REV.
				N/A	4/5	C

CONNECTOR P/N ASOA62*-HASN-4H

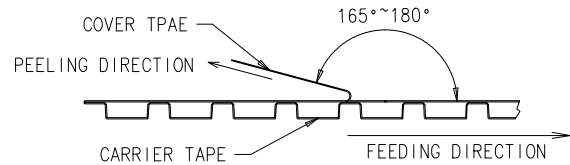
IDEAS GENERATED DRAWING, DO NOT CHANGE BY HAND.

REV.	ECN.	NO.	APPD.



NOTES:

- 10 POCKETS HOLE PITCH CUMULATIVE TOLERANCE $\pm 0.20\text{mm}$.
- COVER TAPE PEELING STRENGTH : 0.01kgf MIN., 0.15 kgf MAX. AT 300mm/min.



3. PACKING CAPACITY : 110 PCS/REEL, 3 REELS/BOX, TOTAL 330 PCS/BOX.

③	REEL	POLYSTYRENE
②	COVER TAPE	POLYSTER
①	CARRIER TAPE	POLYSTYRENE
ITEM	DESCRIPTION	MATERIAL

X. ±	X° ±	UNITS	mm	NAME (INTENDED USE) DDR III SO DIMM CONNECTOR	FOXCONN HON HAI PRECISION IND. CO., LTD. TAIPEI, TAIWAN, R.O.C.
.X ±	.X° ±	MAT'L			
.XX ±	.XX° ±	FINISH		PART NO. (INTENDED USE) AS0A62*-HASN-*H	TITLE: CUSTOMER DRAWING
.XXX ±	.XXX° ±			APPD: Herry Yang	DWG NO.: 317-0000-1906
THESE DRAWINGS AND SPECIFICATIONS ARE THE PROPERTY OF HON HAI PRECISION IND. CO., LTD. AND SHALL NOT BE REPRODUCED, COPIED OR USED IN ANY MANNER WITHOUT THE PRIOR WRITTEN CONSENT OF HON HAI PRECISION IND. CO., LTD.				CHKD: ZH Wang	SCALE SHEET REV. N/A 5/5 C
				Q'TY	

CONNECTOR P/N	AS0A62*-HASN-7H
---------------	-----------------