

SPECIFICATIONS

D-SUB Connector

Mechanical

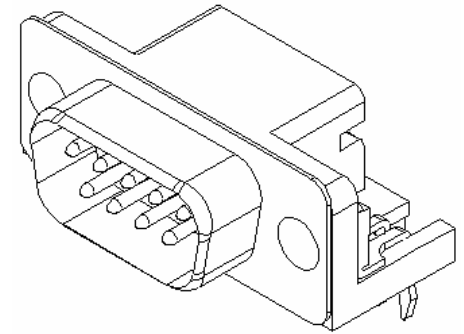
Contact Mating Force: 4.54kgf max.
Contact Unmating Force: 0.34kgf min.
Contact Retention Force: 1.82kgf min.

Electrical

Current Rating: 2.0A
Contact Resistance: 30mΩ max.
Dielectric Withstanding Voltage: 1000V AC/1min min.
Insulation Resistance: 5000MΩ

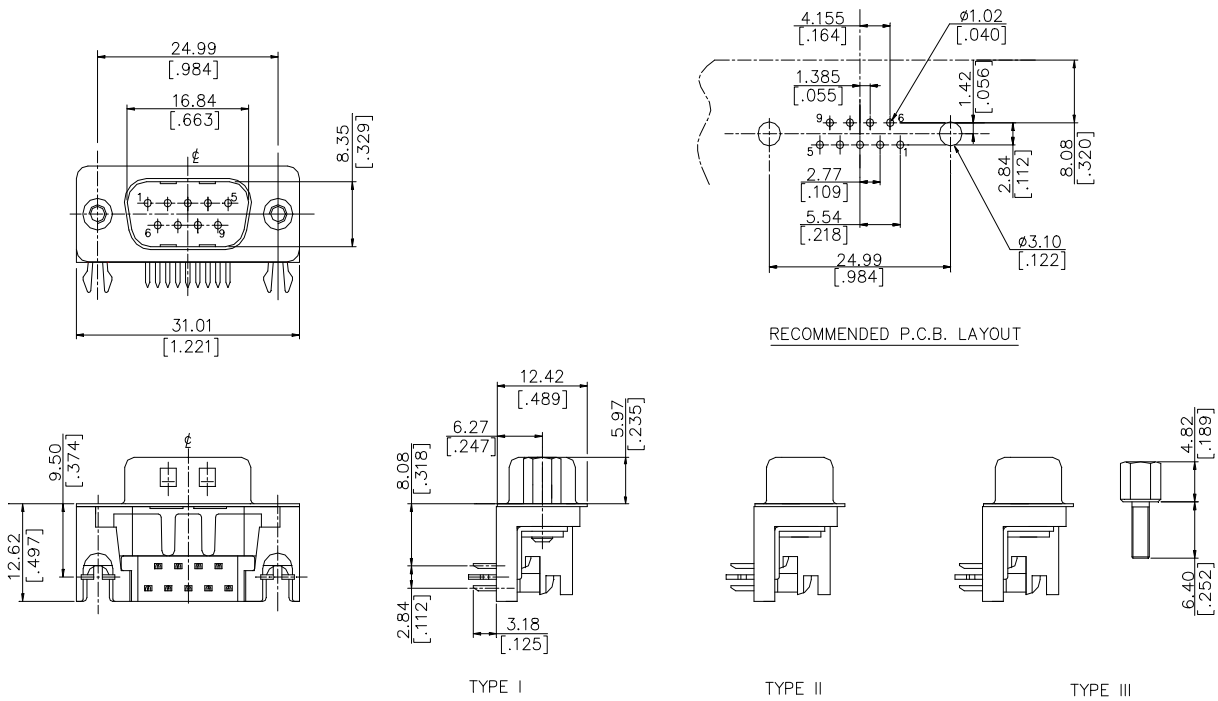
Physical

Housing: Thermoplastic, UL 94V-0 rated in Teal 322C Color
Contact: Copper alloy
Plating: See "ORDERING INFORMATION"
Solder Pad: Copper alloy
Operating Temperature: -55°C to +125°C



DT Series
Right Angle Type, T/H
2.77mm [.109"] Pitch
9 Pos.

DRAWING



ORDERING INFORMATION

PRODUCT NO.: DT 1 0 1 2 * - M5W* - * F

- D-sub Series
- Body Type
1=Right Angle PCB Mount
- Termination Type
0=Male
- NO. of Pos.
1= 9 Pos.
- Body Length
2=8.08 mm
- Lead Free Part Code
- Package Type Code
4=SOFT TRAY WITHOUT F.S.L. PACKED
P=SOFT TRAY WITH F.S.L. PACKED
- Extension Code
M5W2=WITHOUT F.S.L. LOCKED
M5W3=WITH F.S.L. LOCKED
- Contact Area Plating
1=GOLD FLASH
2=20u" GOLD PLATING
3=30u" GOLD PLATING