

1 2 3 4 5 6 7 8 9 10

A

B

C

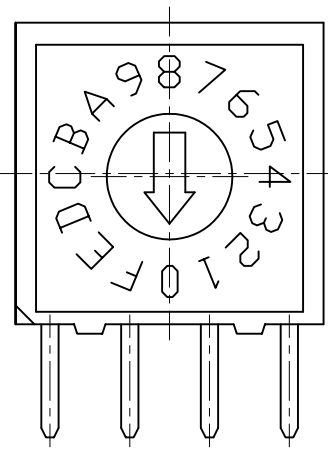
D

E

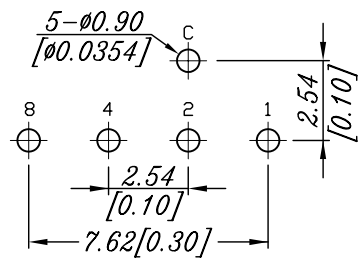
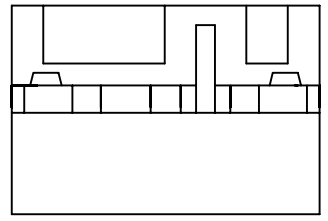
F

G

H



RV4A-16C

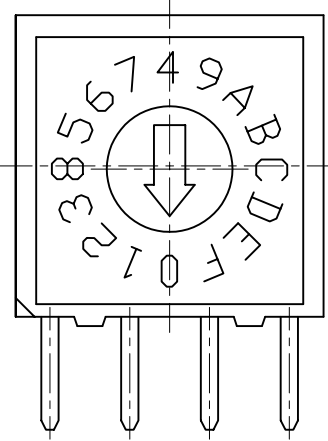


P.C.B. LAYOUT

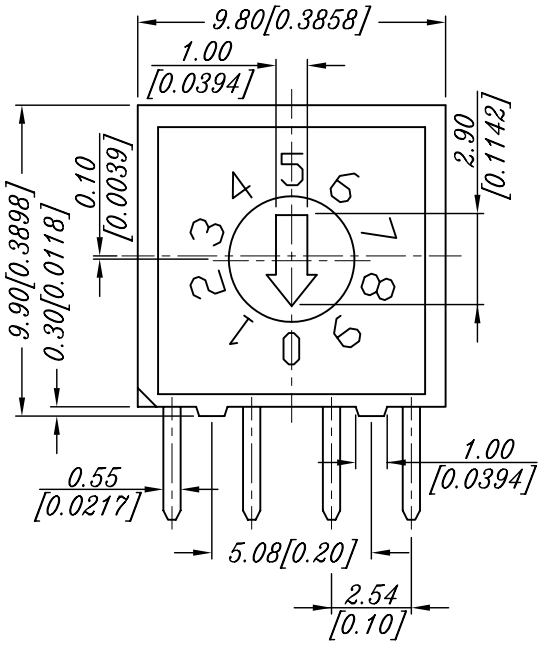
- NOTE:**
- ALL DIMENSIONS ARE IN MILLIMETERS ,  
BRACKETED DIMENSION ARE IN INCHS.
  - GENERAL TOLERANCE:  $\pm 0.2$  mm.

**Available Mode No.**

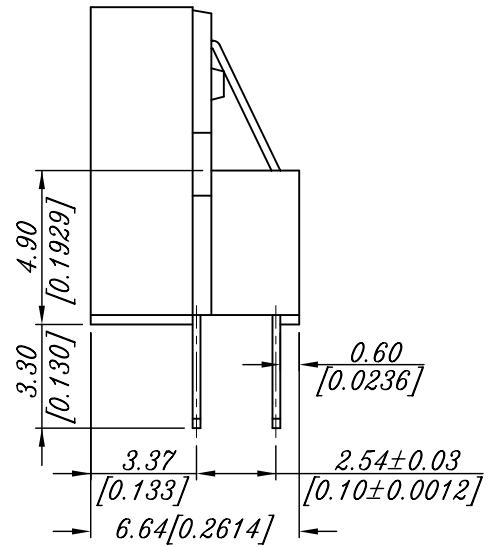
RV4A-10R-V  
RV4A-16R-V  
RV4A-16C-V



RV4A-16C



RV4A-10R



		CODE			
TYPE	POSITION	1	2	4	8
10 STEP	0	●	●	●	●
	1	○	○	●	●
	2	●	○	●	●
	3	○	○	●	●
	4	●	●	○	●
	5	○	○	○	●
	6	●	●	○	●
	7	○	○	○	●
	8	●	●	●	○
	9	○	○	●	○
16 STEP	A	●	○	●	○
	B	○	○	●	○
	C	●	●	○	○
	D	○	●	○	○
	E	●	○	○	○
	F	○	○	○	○

CIRCUIT CHART

ZONE	REV.	DESCRIPTION	DATE	APPD.
A1		DWG. REL.		

APPD:	Q'TY:	<b>圓達實業股份有限公司</b> DIPTRONICS MANUFACTURING INC.	PART NAME:
CHKD:	SCALE:		ROTARY TYPE DIP SWITCH
DR: 02,06'04 林后謙	REV: A1	UNITS: mm	PART NO:
DESIGN: 02,06'04 林后謙			RV4A-□□□ -V
			MAT'L: 端子接觸點鍍金3u", 其餘flash.
			FINISH:
			DWG NO:
			RV4A-V

1 2 3 4 5 6 7 8 9 10