

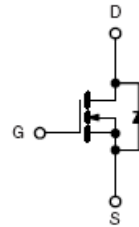
SOT-23 Plastic-Encapsulate MOSFETS

FEATURE

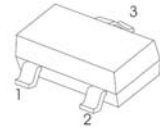
TrenchFET Power MOSFET

APPLICATIONS

- Load Switch for Portable Devices
- DC/DC Converter



SOT-23



1. GATE
2. SOURCE
3. DRAIN

MARKING: SS

■ MAXIMUM RATINGS 最大額定值

Characteristic 特性參數	Symbol 符號	Max 最大值	Unit 單位
Drain-Source Voltage 漏極-源極電壓	BV_{DSS}	50	V
Gate- Source Voltage 柵極-源極電壓	V_{GS}	± 20	V
Drain Current (continuous) 漏極電流-連續	I_{DR}	220	mA
Drain Current (pulsed) 漏極電流-脈沖	I_{DRM}	880	mA

■ THERMAL CHARACTERISTICS 熱特性

Characteristic 特性	Symbol 符號	Max 最大值	Unit 單位
Total Device Dissipation 總耗散功率 $T_A=25^\circ\text{C}$ 環境溫度為 25°C Derate above 25°C 超過 25°C 遞減	P_D	225 1.8	mW mW/ $^\circ\text{C}$
Thermal Resistance Junction to Ambient 熱阻	$R_{\theta JA}$	350	$^\circ\text{C}/\text{W}$
Junction and Storage Temperature 結溫和儲存溫度	T_J, T_{stg}	$150^\circ\text{C}, -55\text{to}+150^\circ\text{C}$	

SOT-23 Plastic-Encapsulate MOSFETS

■ ELECTRICAL CHARACTERISTICS 電特性

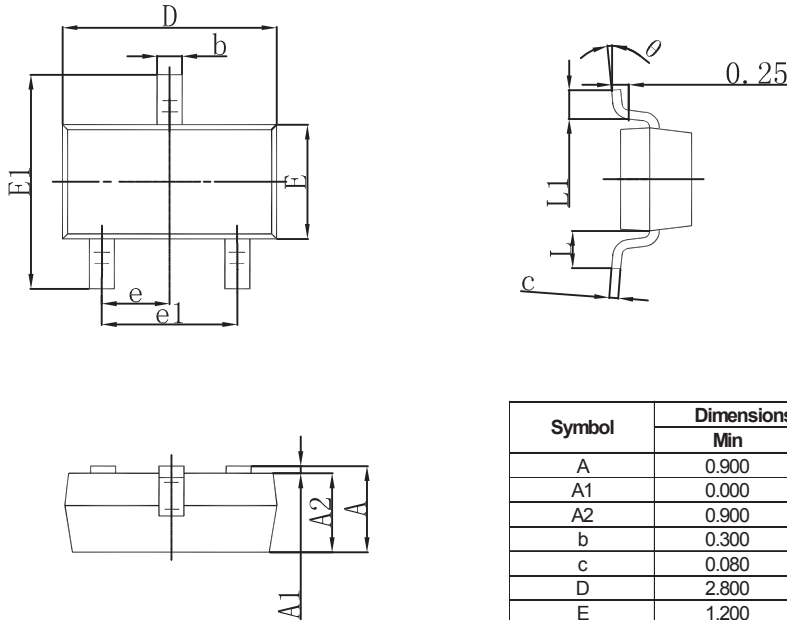
($T_A=25^{\circ}\text{C}$ unless otherwise noted 如無特殊說明，溫度為 25°C)

Characteristic 特性參數	Symbol 符號	Min 最小值	Typ 典型值	Max 最大值	Unit 單位
Drain-Source Breakdown Voltage 漏極-源極擊穿電壓($I_D=250\mu\text{A}, V_{GS}=0\text{V}$)	BV_{DSS}	50	—	—	V
Gate Threshold Voltage 柵極開啓電壓($I_D=1\text{mA}, V_{GS}=V_{DS}$)	$V_{GS(th)}$	0.8	—	1.6	V
Diode Forward Voltage Drop 內附二極管正向壓降($I_{SD}=220\text{mA}, V_{GS}=0\text{V}$)	V_{SD}	—	—	1.4	V
Zero Gate Voltage Drain Current 零柵壓漏極電流($V_{GS}=0\text{V}, V_{DS}=BV_{DSS}$) ($V_{GS}=0\text{V}, V_{DS}=0.6BV_{DSS}$)	I_{DSS}	—	—	0.5 100	μA nA
Gate Body Leakage 柵極漏電流($V_{GS}=\pm 20\text{V}, V_{DS}=0\text{V}$)	I_{GSS}	—	—	± 100	nA
Static Drain-Source On-State Resistance 靜態漏源導通電阻($I_D=220\text{mA}, V_{GS}=10\text{V}$) ($I_D=220\text{mA}, V_{GS}=4.5\text{V}$)	$R_{DS(ON)}$	—	—	3.5 6	Ω
Input Capacitance 輸入電容 ($V_{GS}=0\text{V}, V_{DS}=25\text{V}, f=1\text{MHz}$)	C_{ISS}	—	—	50	pF
Common Source Output Capacitance 共源輸出電容($V_{GS}=0\text{V}, V_{DS}=25\text{V}, f=1\text{MHz}$)	C_{OSS}	—	—	25	pF
Turn-ON Time 開啓時間 ($V_{DS}=30\text{V}, I_D=200\text{mA}, R_{GEN}=25\Omega$)	$t_{(on)}$	—	—	20	ns
Turn-OFF Time 關斷時間 ($V_{DS}=30\text{V}, I_D=200\text{mA}, R_{GEN}=25\Omega$)	$t_{(off)}$	—	—	20	ns

1. FR-5=1.0×0.75×0.062in.
2. Alumina=0.4×0.3×0.024in.99.5%alumina.
3. Pulse Width≤300 μs ; Duty Cycle≤2.0%.

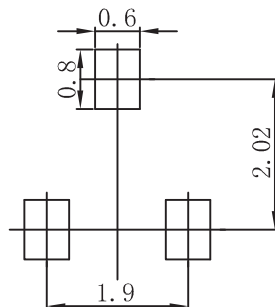
SOT-23 Plastic-Encapsulate MOSFETS

SOT-23 Package Outline Dimensions



Symbol	Dimensions In Millimeters		Dimensions In Inches	
	Min	Max	Min	Max
A	0.900	1.150	0.035	0.045
A1	0.000	0.100	0.000	0.004
A2	0.900	1.050	0.035	0.041
b	0.300	0.500	0.012	0.020
c	0.080	0.150	0.003	0.006
D	2.800	3.000	0.110	0.118
E	1.200	1.400	0.047	0.055
E1	2.250	2.550	0.089	0.100
e	0.950 TYP		0.037 TYP	
e1	1.800	2.000	0.071	0.079
L	0.550 REF		0.022 REF	
L1	0.300	0.500	0.012	0.020
θ	0°	8°	0°	8°

SOT-23 Suggested Pad Layout



Note:

1. Controlling dimension: in millimeters.
2. General tolerance: $\pm 0.05\text{mm}$.
3. The pad layout is for reference purposes only.