



**TinyPower™ A/D Type Smart Card OTP MCU
with DAC, ISO 7816 and USB Interfaces**

HT56RB27

Revision: 1.20 Date: April 26, 2013

www.holtek.com

Table of Contents

Technical Document	7
Features	7
General Description	8
Block Diagram	8
Pin Assignment	9
Pin Description	10
Absolute Maximum Ratings	12
D.C. Characteristics	13
A.C. Characteristics	15
A/D Converter Electrical Characteristics	17
Power-on Reset Characteristics	17
DC/DC Converter and LDO Electrical Characteristics	18
System Architecture	20
Clocking and Pipelining	20
Program Counter	21
Stack	22
Arithmetic and Logic Unit – ALU	22
Program Memory	23
Structure	23
Special Vectors	23
Look-up Table	25
Table Program Example	25
Data Memory	26
Structure	27
General Purpose Data Memory	27
Special Purpose Data Memory	27

Special Function Registers Description	29
Indirect Addressing Registers – IAR0, IAR1.....	29
Memory Pointers – MP0, MP1	29
Bank Pointer – BP	30
Accumulator – ACC	30
Program Counter Low Register – PCL.....	30
Look-up Table Registers – TBLP, TBHP, TBLH.....	31
Status Register – STATUS	31
Interrupt Control Registers.....	32
Timer/Event Counter Registers.....	32
Input/Output Ports and Control Registers	32
Pulse Width Modulator Registers.....	32
A/D Converter Registers – ADRL, ADRH, ADCR, ACSR.....	32
Serial Interface Module Registers.....	33
Port A Wake-up Register – PAWU	33
Pull-High Registers – PAPU, PBPU, PCPU	33
Clock Control Register – CLKMOD.....	33
Miscellaneous Register – MISC0, MISC1	33
Input/Output Ports.....	33
Pull-high Resistors.....	33
Port A Wake-up	34
Port A Open Drain Function.....	35
I/O Port Control Registers.....	35
Pin-shared Functions.....	36
I/O Pin Structures	36
Programming Considerations	38
Timer/Event Counters	38
Configuring the Timer/Event Counter Input Clock Source	38
Timer Registers – TMR0, TMR1L/TMR1H, TMR2, TMR3.....	41
Configuring the Timer Mode	41
Configuring the Event Counter Mode.....	42
Configuring the Pulse Width Measurement Mode.....	42
Programmable Frequency Divider – PFD	43
Prescaler	44
I/O Interfacing.....	44
Timer/Event Counter Pins Internal Filter	44
Programming Considerations	45
Timer Program Example.....	46

Pulse Width Modulator	47
PWM Overview	47
8+4 PWM Mode Modulation	48
PWM Output Control	48
PWM Register Pairs – PWMnH/PWMnL (n=0~3)	49
PWM Programming Example	49
Analog to Digital Converter.....	50
A/D Overview	50
A/D Converter Data Registers – ADRL, ADRH	50
A/D Converter Control Registers – ADCR, ADPCR, ACSR	51
A/D Operation.....	52
A/D Input Pins	53
Initialising the A/D Converter	53
Programming Considerations	55
A/D Programming Example	55
A/D Transfer Function.....	57
Serial Interface Function – SIM	58
SPI Interface.....	58
SPI Registers	63
SPI Control Register – SIMnCTL2	64
SPI Communication.....	67
I ² C Interface	67
I ² C Control Register – SIMAR.....	69
I ² C Bus Communication.....	70
Peripheral Clock Output	74
Peripheral Clock Operation.....	74
Buzzer.....	75
PA0/PA1 Pin Function Control	75
Interrupts.....	77
Interrupt Registers	78
Interrupt Operation	81
Interrupt Priority.....	81
External Interrupt.....	82
External Peripheral Interrupt.....	83
Timer/Event Counter Interrupt	83
A/D Interrupt.....	84
Smart Card Interrupt.....	84
Smart Card Insertion/Removal Interrupt	84
SIM (SPI/I ² C Interface) Interrupts	84
Multi-function Interrupt.....	85
Real Time Clock Interrupt	85
Time Base Interrupt	86
Programming Considerations	87

Reset and Initialisation	88
Reset Functions	88
Reset Initial Conditions	90
Oscillator.....	94
System Clock Configurations.....	94
External Crystal/ Ceramic Oscillator – HXT	94
External RC Oscillator – ERC	95
Internal RC Oscillator – HIRC	95
Internal 32kHz RC Oscillator – LIRC.....	95
External 32.768kHz Oscillator – LXT	96
LXT Oscillator Low Power Function	97
External Oscillator – EC.....	97
System Operating Modes	97
Clock Sources	97
.....	99
Operating Modes.....	100
Power Down Mode and Wake-up	101
Power Down Mode	101
Entering the Power Down Mode	101
Standby Current Considerations.....	101
Wake-up.....	101
Low Voltage Detector – LVD	102
LVD Operation.....	102
Watchdog Timer	103
Watchdog Timer Operation.....	103
Clearing the Watchdog Timer	104
USB Interface.....	105
USB Operation	105
USB Status and Control Registers.....	105
USB Register Summary	106
USB Interface Suspend Mode and Wake-up.....	114
USB Interrupt Structure.....	115
Digital to Analog Converter – DAC	116
Operation.....	116
DC/DC Converter and LDO	117
DC2DC Register	117

Smart Card Interface	118
Interface Pins.....	118
Card Detection.....	118
Internal Time Counter – ETU, GTC, WTC.....	119
Elementary Time Unit – ETU	119
Guard Time Counter – GTC.....	120
Waiting Time Counter – WTC	120
UART Interface.....	121
Power Control.....	122
Smart Card Interrupt Structure.....	123
Programming Considerations	124
Smart Card Interface Status and Control Registers	124
Configuration Options	133
Application Circuits	135
Instruction Set	136
Introduction.....	136
Instruction Timing	136
Moving and Transferring Data	136
Arithmetic Operations	136
Logical and Rotate Operations	136
Branches and Control Transfer.....	137
Bit Operations.....	137
Table Read Operations.....	137
Other Operations.....	137
Instruction Set Summary	138
Instruction Definition	140
Package Information	150
SAW Type 40-pin QFN (6mm×6mm for 0.75mm) Outline Dimensions.....	151
44-pin LQFP (10mm×10mm) (FP2.0mm) Outline Dimensions.....	152

Technical Document

- [Application Note](#)
 - [HA0075E MCU Reset and Oscillator Circuits Application Note](#)

Features

- Operating voltage:
 - $f_{SYS}=32.768\text{kHz}$: 2.2V~5.5V
 - $f_{SYS}=4\text{MHz}$: 2.2V~5.5V
 - $f_{SYS}=12\text{MHz}$: 3.0V~5.5V
 - $f_{SYS}=20\text{MHz}$: 4.5V~5.5V
- Operating current: $f_{SYS}=1\text{MHz}$ at 3V, 170 μA , typ.
- OTP Program Memory: 48K \times 16
- RAM Data Memory: 3840 \times 8
- 12 levels subroutine nesting
- Up to 24 bidirectional I/O lines
- TinyPower technology for low power operation
- Three pin-shared external interrupts lines
- Three 8-bit programmable Timer/Event Counters with overflow interrupt and 7-stage prescaler
- One 16-bit programmable Timer/Event Counters with overflow interrupt
- External Crystal (HXT), RC (ERC) and 32.768kHz (LXT) crystal oscillators
- Internal high speed RC oscillator - HIRC
- Fully integrated RC 32kHz oscillator - LIRC
- Externally supplied system clock option - EC
- Watchdog Timer function
- PFD/Buzzer for audio frequency generation
- Dual Serial Interface Modules (SIM): SPI and I²C
- 4 operating modes: Normal, Slow, Idle and Sleep
- 8-channel 12-bit resolution A/D converter
- 4-channel 12-bit PWM outputs
- 12-bit D/A converter with 8-level volume control
- USB interface
 - Fully compliant with USB 1.1 full-speed specification
 - Support 6 endpoints including endpoint 0
 - Support Interrupt, Control and Bulk transfer
 - 160 bytes total FIFO size - 8, 8, 8, 64, 8 and 64 bytes for endpoint0~endpoint 5 respectively
- Smartcard interface compatible with and certifiable to the ISO 7816-3 standards
- DC/DC converter and LDO function
- Low voltage reset function: 2.1V, 3.15V, 4.2V
- Low voltage detect function: 2.2V, 3.3V, 4.4V
- Bit manipulation instruction
- Table read instructions
- 63 powerful instructions
- Up to 0.2 μs instruction cycle with 20MHz system clock at $V_{DD}=5\text{V}$
- All instructions executed in one or two machine cycles
- Power down and wake-up functions to reduce power consumption
- Package type: 40-pin QFN and 44-pin LQFP

General Description

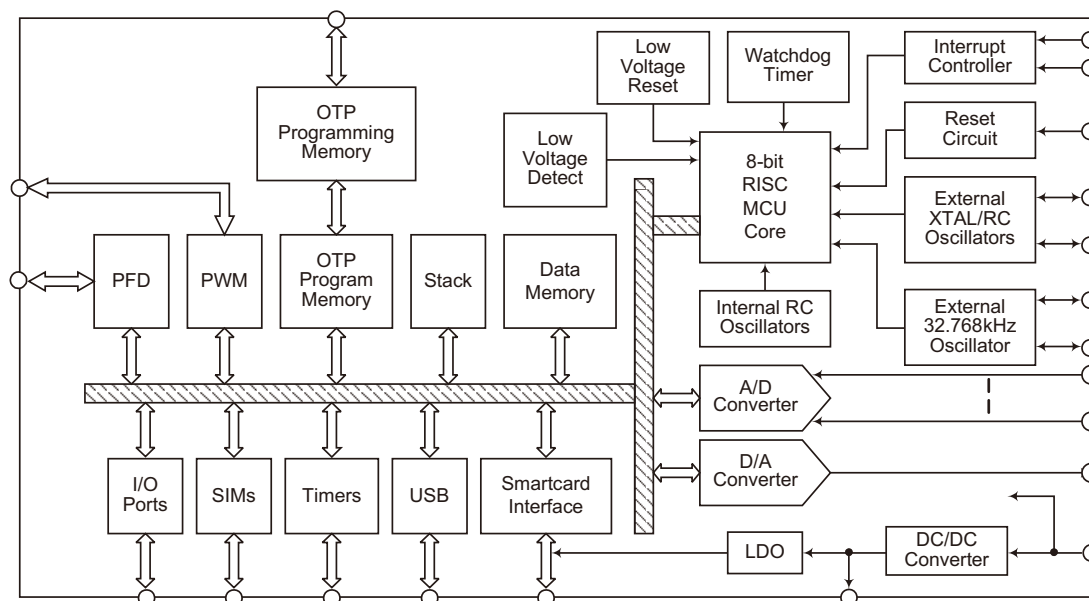
The TinyPower™ A/D Type 8-bit high performance RISC architecture microcontroller is specifically designed for applications that interface directly to analog signals. The device includes analog features such as an integrated multi-channel Analog to Digital Converter, 12-bit Digital to Analog Converter, DC/DC Converter and LDO.

With their fully integrated SPI and I²C functions, designers are provided with a means of easy communication with external peripheral hardware. The benefits of integrated analog features such as A/D, D/A, etc., and PWM functions, in addition to low power consumption, high performance, I/O flexibility and low-cost, provides the device with the versatility for a wide range of products in the home appliance and industrial application areas. Some of these products could include electronic metering, environmental monitoring, handheld instruments, electronically controlled tools, motor driving in addition to many others.

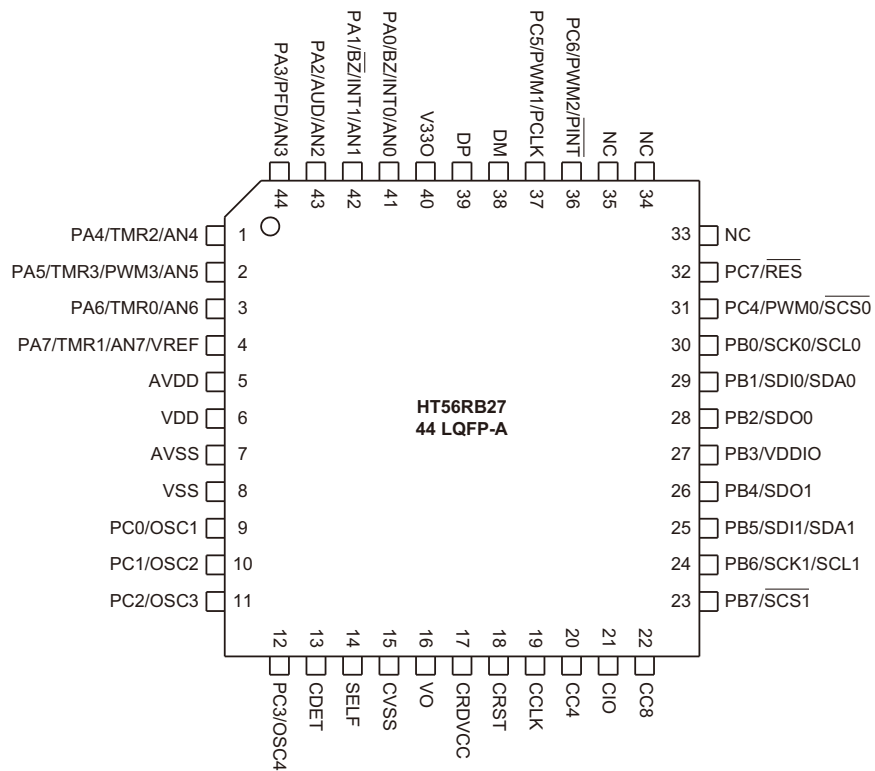
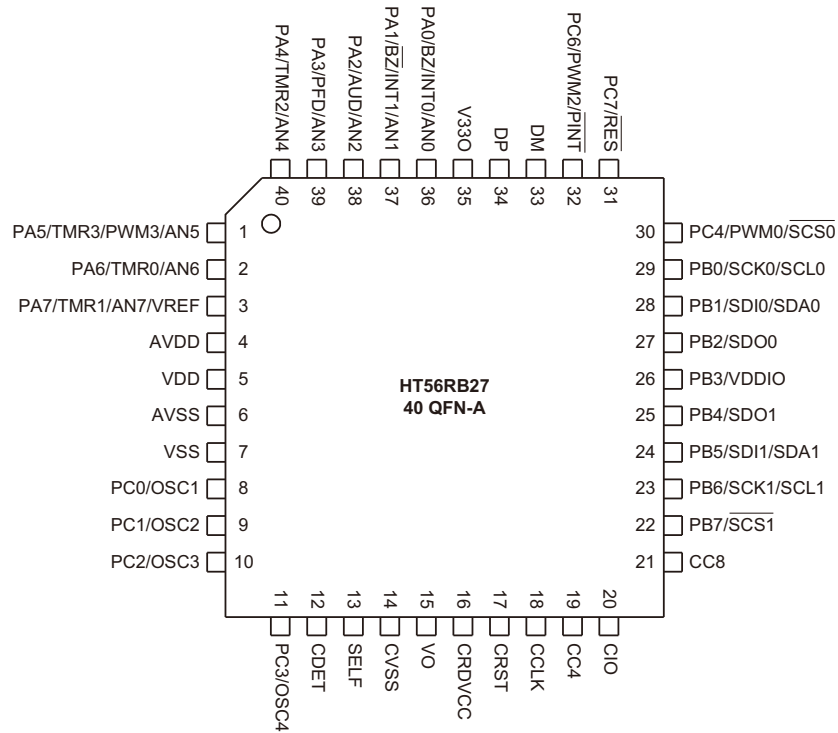
The device contains a USB Full-speed interface to allow data communication with an external USB host controller. It is particularly suitable for applications which require data communication between PCs and peripheral USB hardware. This device also includes a Smartcard Interface, which is compatible with and certified to ISO 7816 standards, to provide communication with various types of Smart Card.

The unique Holtek TinyPower technology also offers the advantages of extremely low current consumption characteristics, an extremely important consideration in the present trend for low power battery powered applications. The usual Holtek MCU features such as power down and wake-up functions, oscillator options, programmable frequency divider, etc., combine to ensure user applications require a minimum of external components.

Block Diagram



Pin Assignment



Pin Description

The following table depicts the pins common to all devices.

Pin Name	I/O	Configuration Option	Description
Input/Output			
PA0/BZ/INT0/AN0 PA1/BZ/INT1/AN1 PA2/AUD/AN2 PA3/PFD/AN3 PA4/TMR2/AN4 PA5/TMR3/PWM3/AN5 PA6/TMR0/AN6 PA7/TMR1/AN7/VREF	I/O	BZ/ $\overline{\text{BZ}}$ PFD	<p>Bidirectional 8-bit input/output port. Each individual bit on this port can be configured as a wake-up input by the PAWU register control bit. Software instructions determine if the pin is a CMOS output or Schmitt Trigger input. A pull-high resistor can be connected to each pin determined by the PAPU register.</p> <p>Port A is pin-shared with the A/D input pins. The A/D inputs are selected via software instructions. Once a Port A line is selected as an A/D input, the I/O function and pull-high resistor are disabled automatically.</p> <p>The BZ/INT0, $\overline{\text{BZ}}$/INT1, PFD, TMR2, TMR3/PWM3, TMR0 and TMR1 are pin-shared with PA0, PA1, PA3 and PA4~PA7 respectively.</p> <p>AUD is the audio output pin from the D/A Converter and pin-shared with PA2. When the D/A-Converter is enabled, the PA2 I/O function will be disabled automatically, including any pull-high resistors. If the D/A Converter output, AUD, and the A/D Converter input, AN2, are both enabled, then the D/A converter output will be connected to the AN2 input channel allowing the D/A output to be measured by the A/D Converter.</p> <p>VREF is the ADC reference voltage input pin. The "VREFS" bit in the ACSR register is used to select either VREF or AVDD as the ADC reference voltage.</p>
PB0/SCK0/SCL0 PB1/SDI0/SDA0 PB2/SDO0 PB3/VDDIO * PB4/SDO1 PB5/SDI1/SDA1 PB6/SCK1/SCL1 PB7/SCS1	I/O	VDDIO SIM0 SIM1	<p>Bidirectional 8-bit input/output port. Software instructions determine if the pin is a CMOS output or Schmitt trigger input. A pull-high resistor can be connected to each pin by the PBPU register.</p> <p>SDO1, SDI1/SDA1, SCK1/SCL1 and $\overline{\text{SCS1}}$ are the the SIM1 interface pins, pin-shared with PB4~PB7 respectively and enabled by a configuration option, as well as the SIM0 interface pins. When the configuration option enables the SIM function, the I/O function will be disabled.</p> <p>The VDDIO pin is an alternate power input pin for certain interface functions, for example the 3.3V MXIC serial Flash Memory. It is pin-shared with PB3. A Configuration option is used to determine if PB3 is selected to be an I/O pin or the alternate power pin VDDIO. When PB3 is selected as an alternate power pin, VDDIO, the power supply of all the pins on this port, except PB3, together with PC4 can be selected individually to come from the VDD pin or from VDDIO by configuration options.</p>

Pin Name	I/O	Configuration Option	Description
PC0/OSC1 PC1/OSC2 PC2/OSC3 PC3/OSC4 PC4/PWM0/SCS0 PC5/PWM1/PCLK PC6/PWM2/PINT	I/O	ERC or HIRC or EC 32.768kHz SIM0 VDDIO	<p>Bidirectional 7-bit input/output port. Software instructions determine if the pin is a CMOS output or Schmitt trigger input. A pull-high resistor can be connected to each pin determined by the PCPU register.</p> <p>OSC1 and OSC2 are connected to an external RC network or crystal, determined by configuration options, for the internal system clock. If the RC system clock option is selected, the OSC2 pin can be used as an I/O pin. The internal system can come from the internal high speed RC oscillator (HIRC) selected by configuration options. When the HIRC is selected as the system oscillator, the OSC1 and OSC2 pins can be used as normal I/O pins. The abbreviation EC stands for External Clock mode. In the EC mode, an external clock source is provided on OSC1 as the system clock.</p> <p>OSC3 and OSC4 are connected to a 32.768kHz crystal oscillator to form a clock source for f_{SUB} or f_{SL}.</p> <p>PWM0, PWM1 and PWM2 are pin-shared with PC4, PC5 and PC6 respectively. PC4 is also pin-shared with SCS0, the chip select pin for the Serial Interface Module 0. The power supply to PC4 can be selected to come from VDD or VDDIO determined by a configuration option.</p> <p>The PCLK is a peripheral clock output pin which is enabled by the "PCKEN" in the SIM0CTRL register and pin-shared with PC5.</p> <p>The PINT is the external peripheral interrupt pin and pin-shared with PC6.</p>
PC7/ \overline{RES}	I/O	\overline{RES}	<p>Schmitt Trigger reset input pin, active low. The \overline{RES} pin is pin-shared with PC7 whose function is determined by a configuration option. When PC7 is configured as an I/O pin, software instructions determine if this pin is an open drain output or a Schmitt Trigger input without pull-high resistor.</p>
Power & Ground			
VDD	P	—	Positive power supply
VSS	P	—	Negative power supply, ground
AVDD	P	—	Analog positive power supply
AVSS	P	—	Analog negative power supply, ground
CVSS	P	—	DC/DC Converter Negative power supply, ground
USB			
DP	I/O	—	USB D+ line
DM	I/O	—	USB D- line
V330	P	—	USB 3.3V regulator output

Pin Name	I/O	Configuration Option	Description
ISO 7816 - Smart Card Interface			
VO	P	—	External diode connection pin for DC/DC converter
SELF	P	—	External inductor connection pin for DC/DC converter
CRST	O	—	Smart card reset output
CCLK	O	—	Smart card clock output
CC4	I/O	—	Smart card C4 input/output
CC8	I/O	—	Smart card C8 input/output
CIO	I/O	—	Smart card data input/output
CDET	I	—	Smart card detection input
CRDVCC	P	—	Positive power supply for external smart card

Note: * For proper operation, $V_{DDIO} \leq V_{DD}$

Absolute Maximum Ratings

Supply Voltage	$V_{SS}-0.3V$ to $V_{SS}+6.0V$
Storage Temperature	$-50^{\circ}C$ to $125^{\circ}C$
Input Voltage	$V_{SS}-0.3V$ to $V_{DD}+0.3V$
Operating Temperature.....	$-40^{\circ}C$ to $85^{\circ}C$
I_{OL} Total.....	80mA
I_{OH} Total.....	-80mA
Total Power Dissipation	500mW

Note: These are stress ratings only. Stresses exceeding the range specified under "Absolute Maximum Ratings" may cause substantial damage to the device. Functional operation of this device at other conditions beyond those listed in the specification is not implied and prolonged exposure to extreme conditions may affect device reliability.

D.C. Characteristics

Ta=25°C

Symbol	Parameter	Test Conditions		Min.	Typ.	Max.	Unit
		V _{DD}	Conditions				
V _{DD}	Operating Voltage	—	f _{sys} =4MHz	2.2	—	5.5	V
			f _{sys} =12MHz	3.0	—	5.5	V
			f _{sys} =20MHz	4.5	—	5.5	V
Operating Current							
I _{DD1}	Operating Current (HXT, ERC OSC)	3V	No load,	—	170	250	μA
		5V	f _{sys} =f _m =1MHz	—	380	570	μA
I _{DD2}	Operating Current (HXT, ERC OSC)	3V	No load,	—	240	360	μA
		5V	f _{sys} =f _m =2MHz	—	490	730	μA
I _{DD3}	Operating Current (HXT, ERC, HIRC OSC)	3V	No load,	—	440	660	μA
		5V	f _{sys} =f _m =4MHz (note 5)	—	900	1450	μA
I _{DD4}	Operating Current (EC Mode)	3V	No load,	—	380	570	μA
		5V	f _{sys} =f _m =4MHz	—	680	1020	μA
I _{DD5}	Operating Current (HXT, ERC OSC)	3V	No load,	—	700	1050	μA
		5V	f _{sys} =f _m =6MHz	—	1300	1950	μA
I _{DD6}	Operating Current (HXT, ERC, HIRC OSC)	5V	No load, f _{sys} =f _m =8MHz	—	1.8	2.7	mA
I _{DD7}	Operating Current (HXT, ERC, HIRC OSC)	5V	No load, f _{sys} =f _m =12MHz	—	2.6	4.5	mA
I _{DD8}	Operating Current (Slow Mode, f _m =4MHz) (Crystal, ERC, HIRC OSC)	3V	No load,	—	150	220	μA
		5V	f _{sys} =f _{slow} =500kHz	—	340	510	μA
I _{DD9}	Operating Current (Slow Mode, f _m =4MHz) (HXT, ERC, HIRC OSC)	3V	No load,	—	180	270	μA
		5V	f _{sys} =f _{slow} =1MHz	—	400	600	μA
I _{DD10}	Operating Current (Slow Mode, f _m =4MHz) (HXT, ERC, HIRC OSC)	3V	No load,	—	270	400	μA
		5V	f _{sys} =f _{slow} =2MHz	—	560	840	μA
I _{DD11}	Operating Current (Slow Mode, f _m =8MHz) (HXT, ERC, HIRC OSC)	3V	No load,	—	350	530	μA
		5V	f _{sys} =f _{slow} =1MHz	—	700	1070	μA
I _{DD12}	Operating Current (Slow Mode, f _m =8MHz) (HXT, ERC, HIRC OSC)	3V	No load,	—	450	670	μA
		5V	f _{sys} =f _{slow} =2MHz	—	890	1320	μA
I _{DD13}	Operating Current (Slow Mode, f _m =8MHz) (HXT, ERC, HIRC OSC)	3V	No load,	—	500	750	μA
		5V	f _{sys} =f _{slow} =4MHz	—	1000	1500	μA
I _{DD14}	Operating Current (f _{sys} =LXT or LIRC)	3V	WDT off	—	8	16	μA
		5V		—	15	30	μA

Ta=25°C

Symbol	Parameter	Test Conditions		Min.	Typ.	Max.	Unit
		V _{DD}	Conditions				
Standby Current							
I _{STB1}	Standby Current (Sleep) (f _{sys} , f _{sub} , f _s , f _{wdt} =off)	3V	System HALT, WDT off, DC/DC converter Off	—	0.2	1.0	μA
		5V		—	0.3	2.0	μA
I _{STB2}	Standby Current (Sleep) (f _{sys} , f _{wdt} =f _{sub} =%LXT or LIRC)	3V	System HALT, WDT on, DC/DC converter Off	—	1	2	μA
		5V		—	3	5	μA
I _{STB3}	Standby Current (Idle), (f _{sys} =on, f _{sys} =f _m =4MHz, f _{wdt} , *f _s =f _{sub} =%LXT or LIRC)	3V	System HALT, WDT off, SPI or I ² C on, PCLK on, PCLK=f _{sys} /8	—	150	250	μA
		5V		—	350	550	μA
Input High/Low Voltage							
V _{IL1}	Input Low Voltage for I/O Ports, TMR and INT Pins	—	—	0	—	0.3V _{DD}	V
V _{IH1}	Input High Voltage for I/O Ports, TMR and INT Pins	—	—	0.7V _{DD}	—	V _{DD}	V
V _{IL2}	Input Low Voltage ($\overline{\text{RES}}$)	—	—	0	—	0.4V _{DD}	V
V _{IH2}	Input High Voltage ($\overline{\text{RES}}$)	—	—	0.9V _{DD}	—	V _{DD}	V
Sink/Source Current							
I _{OL1}	I/O sink current (PA, PB, PC)	3V	V _{OL} =0.1V _{DD}	6	12	—	mA
		5V		10	25	—	mA
I _{OH1}	I/O source current (PA, PB, PC)	3V	V _{OH} =0.9V _{DD}	-2	-4	—	mA
		5V		-5	-8	—	mA
I _{OL2}	PC7/ $\overline{\text{RES}}$ Sink Current	5V	V _{OL} =0.1V _{DD}	2	3	—	mA
I _{OL3}	Card Clock (CCLK) Sink Current	3V	V _{OL} =0.1V _{DD}	40	—	—	μA
		5V		60	—	—	μA
I _{OH3}	Card Clock (CCLK) Source Current	3V	V _{OH} =0.9V _{DD}	40	—	—	μA
		5V		60	—	—	μA
I _{OL4}	Card I/O (CIO) Sink Current	3V	V _{OL} =0.1V _{DD}	400	—	—	μA
		5V		600	—	—	μA
I _{OH4}	Card I/O (CIO) Source Current	3V	V _{OH} =0.9V _{DD}	15	—	—	μA
		5V		15	—	—	μA
I _{OL5}	Card Reset (CRST), CC4/CC8 Sink Current	3V	V _{OL} =0.1V _{DD}	400	—	—	μA
		5V		600	—	—	μA
I _{OH5}	Card Reset (CRST), CC4/CC8 Source Current	3V	V _{OH} =0.9V _{DD}	15	—	—	μA
		5V		15	—	—	μA

Ta=25°C

Symbol	Parameter	Test Conditions		Min.	Typ.	Max.	Unit
		V _{DD}	Conditions				
Pull-High Resistance							
R _{PH1}	Pull-high Resistance for General I/O Ports & Card Detection (CDET)	3V	—	40	60	80	kΩ
		5V		10	30	50	kΩ
R _{PH2}	Pull-high resistance for Card I/O (CIO)	—	—	7.5	15.0	22.5	kΩ
LVR/LVD							
V _{LVR}	Low Voltage Reset Voltage	—	Configuration option: 2.1V	1.98	2.10	2.22	V
			Configuration option: 3.15V	2.98	3.15	3.32	V
			Configuration option: 4.2V	3.98	4.20	4.42	V
V _{LVD}	Low Voltage Detector Voltage	—	Configuration option: 2.2V	2.08	2.20	2.32	V
			Configuration option: 3.3V	3.12	3.30	3.50	V
			Configuration option: 4.4V	4.12	4.40	4.70	V
V ₃₃₀	USB 3.3V Regulator Output	5V	I _{V330} =-5mA	3.0	3.3	3.6	V
V _{BG}	Bandgap reference with buffer voltage	—	—	-3% × typ.	1.24	+3% × typ.	V

- Note:
- * f_S is the internal clock for the Buzzer, RTC, Time base and WDT.
 - % LXT in slow start mode (RTCC.4=1) for D.C. current measurement.
 - LXT = 32768 crystal and LIRC = internal 32K RC oscillator.
 - & LCD waveform is in Type A condition.
 - Timer0/1 off. Timer filter is disabled for all test conditions.

A.C. Characteristics

Ta=25°C

Symbol	Parameter	Test Conditions		Min.	Typ.	Max.	Unit
		V _{DD}	Conditions				
f _{SYS1}	System Clock (Crystal, ERC, HIRC OSC)	—	2.2V~5.5V	400	—	4000	kHz
			3.3V~5.5V	400	—	8000	kHz
			4.5V~5.5V	400	—	12000	kHz
f _{SYS2}	System clock (LXT OSC)	—	2.2V~5.5V	—	32768	—	Hz
f _{LXT}	LXT Frequency	—	—	—	32768	—	Hz
f _{4MERC}	4MHz External RC OSC	5V	R=150kΩ	-2%	4	2%	MHz
		2.2V~5.5V	R=150kΩ, Ta=0°C~70°C	-7%	4	7%	MHz
			R=150kΩ, Ta=-40°C~85°C	-11%	4	11%	MHz

Ta=25°C

Symbol	Parameter	Test Conditions		Min.	Typ.	Max.	Unit
		V _{DD}	Conditions				
f _{HIRC}	4/8/12MHz Internal RC OSC	3V/5V	Ta=25°C	-2%	4	+2%	MHz
		3V/5V	Ta=25°C	-2%	8	+2%	MHz
		5V	Ta=25°C	-2%	12	+2%	MHz
		3V/5V	Ta=0~70°C	-5%	4	+5%	MHz
		3V/5V	Ta=0~70°C	-5%	8	+5%	MHz
		5V	Ta=0~70°C	-5%	12	+5%	MHz
		2.2V~5.5V	Ta=0~70°C	-8%	4	+8%	MHz
		3.0V~5.5V	Ta=0~70°C	-8%	8	+8%	MHz
		4.5V~5.5V	Ta=0~70°C	-8%	12	+8%	MHz
		2.2V~5.5V	Ta= -40°C~85°C	-12%	4	+12%	MHz
		3.0V~5.5V	Ta= -40°C~85°C	-12%	8	+12%	MHz
		4.5V~5.5V	Ta= -40°C~85°C	-12%	12	+12%	MHz
f _{TIMER}	Timer I/P Frequency (TMR0/TMR1/TMR2/TMR3)	—	2.2V~5.5V	0	—	4000	kHz
		—	3.0V~5.5V	0	—	8000	kHz
		—	4.5V~5.5V	0	—	12000	kHz
f _{LIRC}	32K RC Frequency	2.2V~5.5V	After Trim	28.1	32.0	34.4	kHz
t _{RES}	External Reset Low Pulse Width	—	—	1	—	—	μs
t _{LVR}	Low Voltage Width to Reset	—	—	0.1	0.4	0.6	ms
t _{LVDS}	LVD Output Stable Time	—	LVR disable, LVD enable, Bandgap voltage ready	—	—	100	μs
t _{SST1}	System start-up timer period (without fast start-up) for HXT/LXT	—	Power up or wake-up from HALT	—	1024	—	t _{sys}
t _{SST2}	System start-up timer period (with fast start-up) for HXT/LXT	—	wake-up from Idle Mode (f _{SL} =f _{LXT})	—	1	2	t _{LXT} %
t _{SST3}	System start-up timer period (with fast start-up) for HXT/LXT	—	wake-up from Idle Mode (f _{SL} = f _{LIRC})	—	1	2	t _{LIRC} *
t _{INT}	Interrupt Pulse Width	—	—	1	—	—	μs

Note: *T_{sys}=1/f_{sys}
 %: t_{LXT} is period of 32768 XTAL
 *: t_{LIRC} is period of internal 32K RC

A/D Converter Electrical Characteristics

Ta=25°C

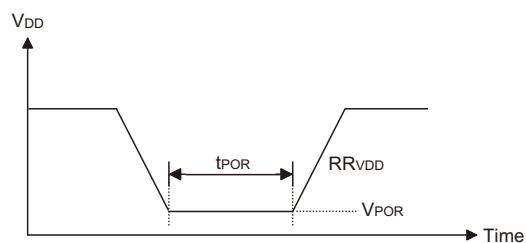
Symbol	Parameter	Test Conditions		Min.	Typ.	Max.	Unit
		V _{DD}	Conditions				
AV _{DD}	Analog operating voltage	—	V _{REF} =AV _{DD}	3.0	—	5.5	V
V _{AD}	A/D Input Voltage	—	144-pin LQFP	0	—	V _{REF}	V
V _{REF}	A/D Input Reference Voltage Range	—	AV _{DD} =5V	2.1	—	AV _{DD} +0.1	V
DNL	A/C Differential Non-Linearity	—	AV _{DD} =5V, V _{REF} =AV _{DD} , t _{AD} =0.5μs	-2	—	2	LSB
INL	ADC Integral Non-Linearity	—	AV _{DD} =5V, V _{REF} =AV _{DD} , t _{AD} =0.5μs	-4	—	4	LSB
I _{ADC}	Additional Power Consumption if A/D Converter is Used	3V	—	—	0.50	0.75	mA
		5V		—	1.00	1.50	mA
t _{AD}	A/D Converter Clock Period	—	—	0.5	—	10	μs
t _{ADC}	A/D Conversion Time (Include Sample and Hold Time)	—	12-bit A/D Converter	—	16	—	t _{AD}
t _{ADS}	A/D Sampling Time	—	—	—	4	—	t _{AD}
t _{ON2ST}	A/D on to A/D start	—	2.7V~5.5V	2	—	—	μs

Note: ADC conversion time (t_{ADC}) = n (bits ADC) + 4 (sampling time).
 The conversion for each bit needs one ADC clock (t_{AD}).

Power-on Reset Characteristics

Ta=25°C

Symbol	Parameter	Test Conditions		Min.	Typ.	Max.	Unit
		V _{DD}	Conditions				
I _{POR DC}	Operating Current	2.2V~5.5V	Ta=25°C	—	—	0.7	μA
V _{POR}	VDD Start Voltage to Ensure Power-on Reset	—	—	—	—	100	mV
RR _{VDD}	VDD raising rate to Ensure Power-on Reset	—	—	0.035	—	—	V/ms
t _{POR}	Minimum Time for VDD Stays at V _{POR} to Ensure Power-on Reset	—	—	1	—	—	ms



DC/DC Converter and LDO Electrical Characteristics

Ta=25°C

Symbol	Parameter	Test Conditions		Min.	Typ.	Max.	Unit
		V _{DD}	Conditions				
DC/DC							
V _{IN}	DC/DC Input Voltage	—	—	3.000	—	5.500	V
VO1 _{DC/DC}	DC/DC Output Voltage 1	—	V _{IN} =3.6V~5.5V, VSEL=0	3.610	3.800	3.990	V
VO2 _{DC/DC}	DC/DC Output Voltage 2	—	V _{IN} =3.6V~5.5V, VSEL=1	4.750	5.500	5.775	V
I _{VDD}	VDD Supply Current	—	V _{IN} =4.75V, I _{SC} =60mA CPU Idle	—	—	100	mA
5V Regulator Output							
V _{IN}	DC/DC Input Voltage	—	—	3.6	—	5.5	V
V _{CRDVCC}	Smart Card Power Supply Voltage	—	—	4.6	5.0	5.4	V
I _{SC}	Smart Card Supply Current	—	—	55	—	—	mA
I _{OVDET}	Current Overload Detection	—	—	70	95	150	mA
I _{QUI}	Quiescent Current	—	V _O =5.5V, V _{CRDVCC} =5V, C _{LOAD} =4.7μF, No load current	—	100	150	μA
t _{IDET}	Detection Time on Current Overload	—	—	170	—	1400	μs
t _{OFF}	V _{CRDVCC} Turn Off Time	4.6V~ 5.4V	C _{LOAD} ≤4.7μF, Card voltage=V _{CRDVCC} to 0.4V	—	—	750	μs
t _{ON}	V _{CRDVCC} Turn On Time	4.6V~ 5.4V	C _{LOAD} ≤4.7μF, Card voltage= 0V to V _{CRDVCC} (min.)	—	—	750	μs
V5 _{PWRGOOD}	LDO 5V Power Good Voltage	—	—	—	4.8	—	V
V5 _{RIPPLE}	Ripple on Card Voltage	—	—	—	—	200	mV
3V Regulator Output							
V _{IN}	DC/DC Input Voltage	—	—	2.50	—	5.50	V
V _{CRDVCC}	Smart Card Power Supply Voltage	—	—	2.76	3.00	3.24	V
I _{SC}	Smart Card Supply Current	—	—	55	—	—	mA
I _{OVDET}	Current Overload Detection	—	—	70	95	120	mA
t _{IDET}	Detection Time on Current Overload	—	—	170	—	1400	μs
t _{OFF}	V _{CRDVCC} Turn Off Time	4.6V~ 5.4V	C _{LOAD} ≤4.7μF, Card voltage=V _{CRDVCC} to 0.4V	—	—	750	μs
t _{ON}	V _{CRDVCC} Turn On Time	4.6V~ 5.4V	C _{LOAD} ≤4.7μF, Card voltage= 0V to V _{CRDVCC} (min.)	—	—	750	μs
V3 _{PWRGOOD}	LDO 3V Power Good Voltage	—	—	—	2.88	—	V
V3 _{RIPPLE}	Ripple on Card Voltage	—	—	—	—	200	mV

HT56RB27
TinyPower™ A/D Type Smart Card OTP MCU
with DAC, ISO 7816 and USB Interfaces



Ta=25°C

Symbol	Parameter	Test Conditions		Min.	Typ.	Max.	Unit
		V _{DD}	Conditions				
1.8V Regulator Output							
V _{IN}	DC/DC Input Voltage	—	—	2.500	—	5.500	V
V _{CRDVCC}	Smart Card Power Supply Voltage	—	—	1.656	1.800	1.944	V
I _{SC}	Smart Card Supply Current	—	—	35	—	—	mA
I _{OVDDET}	Current Overload Detection	—	—	70	95	120	mA
t _{IDET}	Detection Time on Current Overload	—	—	170	—	1400	μs
t _{OFF}	V _{CRDVCC} Turn Off Time	4.6V~5.4V	C _{LOAD} ≤4.7μF, Card voltage=V _{CRDVCC} to 0.4V	—	—	750	μs
t _{ON}	V _{CRDVCC} Turn On Time	4.6V~5.4V	C _{LOAD} ≤4.7μF, Card voltage=0V to V _{CRDVCC} (min.)	—	—	750	μs
V18 _{PWRGOOD}	LDO 1.8V Power Good Voltage	—	—	—	1.73	—	V

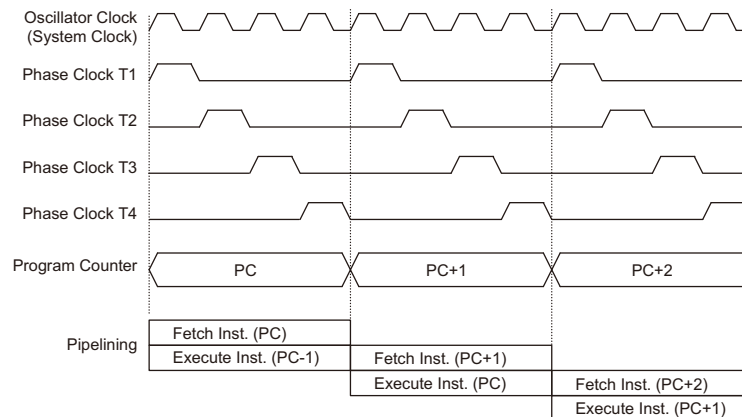
System Architecture

A key factor in the high-performance features of the Holtek range of microcontrollers is attributed to their internal system architecture. The range of devices take advantage of the usual features found within RISC microcontrollers providing increased speed of operation and enhanced performance. The pipelining scheme is implemented in such a way that instruction fetching and instruction execution are overlapped, hence instructions are effectively executed in one cycle, with the exception of branch or call instructions. An 8-bit wide ALU is used in practically all instruction set operations, which carries out arithmetic operations, logic operations, rotation, increment, decrement, branch decisions, etc. The internal data path is simplified by moving data through the Accumulator and the ALU. Certain internal registers are implemented in the Data Memory and can be directly or indirectly addressed. The simple addressing methods of these registers along with additional architectural features ensure that a minimum of external components is required to provide a functional I/O and A/D control system with maximum reliability and flexibility. This makes the device suitable for low-cost, high-volume production for controller applications.

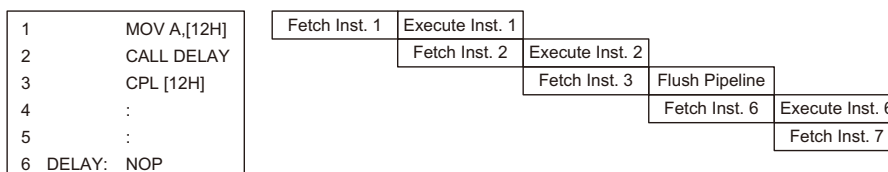
Clocking and Pipelining

The main system clock, derived from either a Crystal/Resonator or RC oscillator is subdivided into four internally generated non-overlapping clocks, T1~T4. The Program Counter is incremented at the beginning of the T1 clock during which time a new instruction is fetched. The remaining T2~T4 clocks carry out the decoding and execution functions. In this way, one T1~T4 clock cycle forms one instruction cycle. Although the fetching and execution of instructions takes place in consecutive instruction cycles, the pipelining structure of the microcontrollers ensures that instructions are effectively executed in one instruction cycle. The exception to this are instructions where the contents of the Program Counter are changed, such as subroutine calls or jumps, in which case the instruction will take one more instruction cycle to execute.

When the external RC oscillator is used, OSC2 is free for use as a normal I/O pin.



System Clocking and Pipelining



Instruction Fetching

For instructions involving branches, such as jump or call instructions, two machine cycles are required to complete instruction execution. An extra cycle is required as the program takes one cycle to first obtain the actual jump or call address and then another cycle to actually execute the branch. The requirement for this extra cycle should be taken into account by programmers in timing sensitive applications.

Program Counter

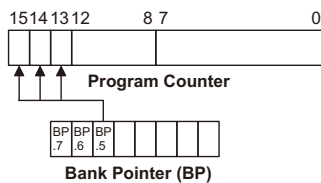
During program execution, the Program Counter is used to keep track of the address of the next instruction to be executed. It is automatically incremented by one each time an instruction is executed except for instructions, such as "JMP" or "CALL" that demand a jump to a non-consecutive Program Memory address. It must be noted that only the lower 8 bits, known as the Program Counter Low Register, are directly addressable.

When executing instructions requiring jumps to non-consecutive addresses such as a jump instruction, a subroutine call, interrupt or reset, etc., the microcontrollers manages program control by loading the required address into the Program Counter. For conditional skip instructions, once the condition has been met, the next instruction, which has already been fetched during the present instruction execution, is discarded and a dummy cycle takes its place while the correct instruction is obtained.

Mode	Program Counter Bits															
	b15	b14	b13	b12	b11	b10	b9	b8	b7	b6	b5	b4	b3	b2	b1	b0
Initial Reset	0	0	0	0	0	0	0	0	0	0	0	0	0	0	0	0
Smart Card Interrupt	0	0	0	0	0	0	0	0	0	0	0	0	0	1	0	0
USB Interrupt	0	0	0	0	0	0	0	0	0	0	0	0	1	0	0	0
External Interrupt 0	0	0	0	0	0	0	0	0	0	0	0	0	1	1	0	0
External Interrupt 1	0	0	0	0	0	0	0	0	0	0	0	1	0	0	0	0
Timer/Event Counter 1 Overflow	0	0	0	0	0	0	0	0	0	0	0	1	0	1	0	0
Timer/Event Counter 0 Overflow	0	0	0	0	0	0	0	0	0	0	0	1	1	0	0	0
Smart Card Insertion/Removal Interrupt	0	0	0	0	0	0	0	0	0	0	0	1	1	1	0	0
A/D Converter Interrupt	0	0	0	0	0	0	0	0	0	0	1	0	0	0	0	0
Multi-Function 0 Interrupt	0	0	0	0	0	0	0	0	0	0	1	0	0	1	0	0
Multi-Function 1 Interrupt	0	0	0	0	0	0	0	0	0	0	1	0	1	0	0	0
Skip	Program Counter+2 (within current bank)															
Loading PCL	PC15	PC14	PC13	PC12	PC11	PC10	PC9	PC8	@7	@6	@5	@4	@3	@2	@1	@0
Jump, Call Branch	BP.7	BP.6	BP.5	#12	#11	#10	#9	#8	#7	#6	#5	#4	#3	#2	#1	#0
Return from Subroutine	S15	S14	S13	S12	S11	S10	S9	S8	S7	S6	S5	S4	S3	S2	S1	S0

Program Counter

Note: PC15~PC8: Current Program Counter bits @7~@0: PCL bits
 #12~#0: Instruction code address bits S15~S0: Stack register bits
 BP.7, BP.6, BP.5: Bank pointer bits

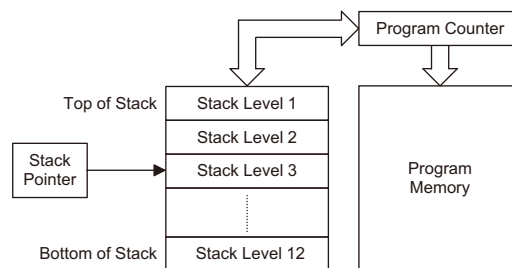


The lower byte of the Program Counter, known as the Program Counter Low register or PCL, is available for program control and is a readable and writable register. By transferring data directly into this register, a short program jump can be executed directly, however, as only this low byte is available for manipulation, the jumps are limited to the present page of memory, that is 256 locations. When such program jumps are executed it should also be noted that a dummy cycle will be inserted.

The lower byte of the Program Counter is fully accessible under program control. Manipulating the PCL might cause program branching, so an extra cycle is needed to pre-fetch. Further information on the PCL register can be found in the Special Function Register section.

Stack

This is a special part of the memory which is used to save the contents of the Program Counter only. And is neither part of the data nor part of the program space, and is neither readable nor writeable. The activated level is indexed by the Stack Pointer, SP, and is neither readable nor writeable. At a subroutine call or interrupt acknowledge signal, the contents of the Program Counter are pushed onto the stack. At the end of a subroutine or an interrupt routine, signaled by a return instruction, RET or RETI, the Program Counter is restored to its previous value from the stack. After a device reset, the Stack Pointer will point to the top of the stack.



If the stack is full and an enabled interrupt takes place, the interrupt request flag will be recorded but the acknowledge signal will be inhibited. When the Stack Pointer is decremented, by RET or RETI, the interrupt will be serviced. This feature prevents stack overflow allowing the programmer to use the structure more easily. However, when the stack is full, a CALL subroutine instruction can still be executed which will result in a stack overflow. Precautions should be taken to avoid such cases which might cause unpredictable program branching.

Arithmetic and Logic Unit – ALU

The arithmetic-logic unit or ALU is a critical area of the microcontrollers that carries out arithmetic and logic operations of the instruction set. Connected to the main microcontrollers data bus, the ALU receives related instruction codes and performs the required arithmetic or logical operations after which the result will be placed in the specified register. As these ALU calculation or operations may result in carry, borrow or other status changes, the status register will be correspondingly updated to reflect these changes. The ALU supports the following functions:

- Arithmetic operations: ADD, ADDM, ADC, ADCM, SUB, SUBM, SBC, SBCM, DAA
- Logic operations: AND, OR, XOR, ANDM, ORM, XORM, CPL, CPLA
- Rotation RRA, RR, RRCA, RRC, RLA, RL, RLCA, RLC
- Increment and Decrement INCA, INC, DECA, DEC
- Branch decision, JMP, SZ, SZA, SNZ, SIZ, SDZ, SIZA, SDZA, CALL, RET, RETI

Program Memory

The Program Memory is the location where the user code or program is stored. For the device the Program Memory is an OTP type, which means it can be programmed only one time. By using the appropriate programming tools, this OTP memory device offer users the flexibility to conveniently debug and develop their applications while also offering a means of field programming.

Structure

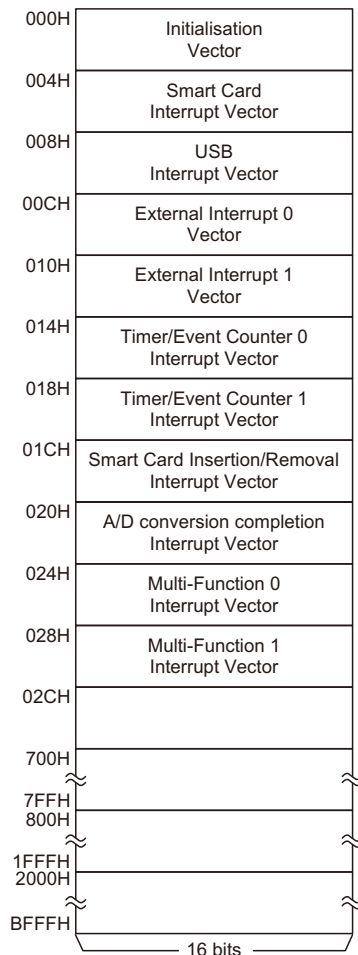
The Program Memory has a capacity of 48K×16 bits. The Program Memory is addressed by the Program Counter and also contains data, table information and interrupt-entries. Table data, which can be setup in any location within the Program Memory, is addressed by a separate table pointer register.

Special Vectors

Within the Program Memory, certain locations are reserved for special usage such as reset and interrupts.

- Location 000H
This vector is reserved for use by the device reset for program initialisation. After a device reset is initiated, the program will jump to this location and begin execution.
- Location 004H
This vector is used by the Smart Card interrupt. If a related Smart Card interrupt event occurs, the program will jump to this location and begin execution if the external interrupt is enabled and the stack is not full.
- Location 008H
This vector is used by the USB interrupt. If the related USB interrupt event occurs, the program will jump to this location and begin execution if the external interrupt is enabled and the stack is not full.
- Location 00CH
This vector is used by the external interrupt 0. If the related external interrupt pin receives an active edge, the program will jump to this location and begin execution if the external interrupt is enabled and the stack is not full.
- Location 010H
This vector is used by the external interrupt 1. If the related external interrupt pin receives an active edge, the program will jump to this location and begin execution if the external interrupt is enabled and the stack is not full.
- Location 014H
This internal vector is used by the Timer/Event Counter 0. If a Timer/Event Counter 0 overflow occurs, the program will jump to this location and begin execution if the timer/event counter interrupt is enabled and the stack is not full.
- Location 018H
This internal vector is used by the Timer/Event Counter 1. If a Timer/Event Counter 1 overflow occurs, the program will jump to this location and begin execution if the timer/event counter interrupt is enabled and the stack is not full.
- Location 01CH
This vector is used by the Smart Card Insertion/Removal interrupt. If a Smart Card Insertion or Removal event occurs, the program will jump to this location and begin execution if the external interrupt is enabled and the stack is not full.

- Location 020H
 This vector is reserved for the A/D Converter interrupt. If the completion of an A/D conversion occurs, the program will jump to this location and begin execution if the external interrupt is enabled and the stack is not full.
- Location 024H
 This internal vector is used by the Multi-function 0 Interrupt. The Multi-function 0 Interrupt vector is shared by several internal functions such as a Serial Interface Module 0 interrupt, an active edge appearing on the External Peripheral interrupt pin, a Time Base overflow or a Real Time Clock overflow. The program will jump to this location and begin execution if the relevant interrupt is enabled and the stack is not full.
- Location 028H
 This internal vector is used by the Multi-function 1 Interrupt. The Multi-function 1 Interrupt vector is shared by several internal functions such as a Serial Interface Module 1 interrupt, a Timer/Event Counter 2 or a Timer/Event Counter 3 overflow. The program will jump to this location and begin execution if the relevant interrupt is enabled and the stack is not full.



■ Not Implemented

Program Memory Structure

Look-up Table

Any location within the Program Memory can be defined as a look-up table where programmers can store fixed data. To use the look-up table, the table pointer must first be setup by placing the lower order address of the look up data to be retrieved in the table pointer register, TBLP and TBHP. These registers define the total address of the look-up table.

After setting up the table pointer, the table data can be retrieved from the specific Program Memory page or last Program Memory page using the "TABRDC[m]" or "TABRDL [m]" instructions, respectively. When these instructions are executed, the lower order table byte from the Program Memory will be transferred to the user defined Data Memory register [m] as specified in the instruction. The higher order table data byte from the Program Memory will be transferred to the TBLH special register. Any unused bits in this transferred higher order byte will be read as "0".

The following diagram illustrates the addressing/data flow of the look-up table:

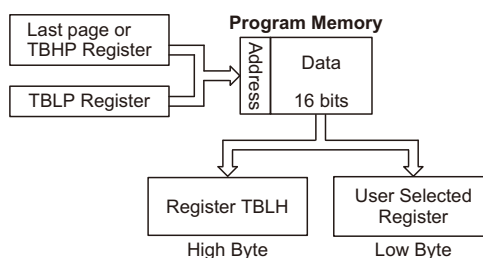


Table Program Example

The following example shows how the table pointer and table data is defined and retrieved from the HT56RB27. This example uses raw table data located in the last page. The value at "BF00H" which refers to the start address of the last page within the 48K Program Memory of the HT56RB27 microcontroller. The table pointer is setup here to have an initial value of "06H". This will ensure that the first data read from the data table will be at the Program Memory address "BF06H" or 6 locations after the start of the last page. Note that the value for the table pointer is referenced to TBLP and TBHP registers if the "TABRDC [m]" instruction is being used. The high byte of the table data which in this case is equal to zero will be transferred to the TBLH register automatically when the "TABRDL [m]" instruction is executed.

Because the TBLH register is a read-only register and cannot be restored, care should be taken to ensure its protection if both the main routine and Interrupt Service Routine use table read instructions. If using the table read instructions, the Interrupt Service Routines may change the value of the TBLH and subsequently cause errors if used again by the main routine. As a rule it is recommended that simultaneous use of the table read instructions should be avoided. However, in situations where simultaneous use cannot be avoided, the interrupts should be disabled prior to the execution of any main routine table-read instructions. Note that all table related instructions require two instruction cycles to complete their operation.

```

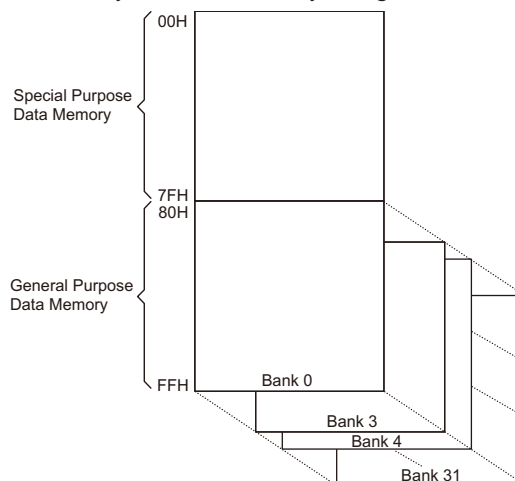
rombank 5 code5

ds .section 'data'
Tempreg1 db ? ;temporaryregister#1
Tempreg2 db ? ;temporaryregister#2
:
:
code0 .section 'code'
mov a,06h ;initialise table pointer - note that this address
;is referenced
mov tblp,a ;to the last page or the page that tblp pointed
mov a,0bfh ;initialise high table pointer
mov tbhp,a ;it is not necessary to set tbhp if executing tabrdl
:
:
tabrdc tempreg1 ;transfers value in table referenced by table pointer
tabrdl tempreg1 ;to tempreg1
;data at prog.memory address BF06H transferred to
;tempreg1 and TBLH
dec tblp ;reduce value of table pointer by one
tabrdc tempreg2 ;transfers value in table referenced by table pointer
tabrdl tempreg2 ;to tempreg2
;data at prog.memory address BF05H transferred
to ;tempreg2 and TBLH
;in this example the data 1AH is transferred to
;tempreg1 and data 0FH to tempreg2
;the value 00H will be transferred to the high byte
;register TBLH
:
:
code5 .section 'code'
org 1F00h ;sets initial address of lastpage
dc 00Ah,00Bh,00Ch,00Dh,00Eh,00Fh,01Ah,01Bh

```

Data Memory

The Data Memory is a volatile area of 8-bit wide RAM internal memory and is the location where temporary information is stored. Divided into two parts, the first of these is an area of RAM where special function registers are located. These registers have fixed locations and are necessary for correct operation of the device. Many of these registers can be read from and written to directly under program control, however, some remain protected from user manipulation. The second area of Data Memory is reserved for general purpose use. All locations within this area are read and write accessible under program control. The general purpose data memory is divided into several banks and switching between the different Data Memory banks is achieved by setting the Bank Pointer to the correct value.



Data Memory Structure

Data Memory		Bank Number			
		0	1	2	3~31
Special Purpose Data Memory	Start Address	Common: 00H			
	End Address	Common: 7FH			
General Purpose Data Memory	Start Address	80H	—	—	80H
	End Address	FFH	—	—	FFH

Data Memory Content

Structure

The Data Memory is subdivided into several banks, all of which are implemented in 8-bit wide RAM. The Data Memory located in Bank 0 is subdivided into two sections, the Special Purpose Data Memory and the General Purpose Data Memory.

The start address of the Data Memory for the device is the address "00H". Registers which are common to the microcontroller, such as ACC, PCL, etc., have the same Data Memory address. Banks 3 to 31 contain only General Purpose Data Memory for the device with larger Data Memory capacities. As the Special Purpose Data Memory registers are mapped into all bank areas, they can subsequently be accessed from any bank location.

General Purpose Data Memory

All microcontroller programs require an area of read/write memory where temporary data can be stored and retrieved for use later. It is this area of RAM memory that is known as General Purpose Data Memory. This area of Data Memory is fully accessible by the user program for both read and write operations. By using the "SET [m].i" and "CLR [m].i" instructions individual bits can be set or reset under program control giving the user a large range of flexibility for bit manipulation in the Data Memory. For the device with larger Data Memory capacities, the General Purpose Data Memory, in addition to being located in Bank 0, is also stored in Banks 3 to Bank 31.

Special Purpose Data Memory

This area of Data Memory is where registers, necessary for the correct operation of the microcontroller, are stored. Most of the registers are both read and write type but some are protected and are read only, the details of which are located under the relevant Special Function Register section. Note that for locations that are unused, any read instruction to these addresses will return the unknown value. The Special Function registers are mapped into all banks and can therefore be accessed from any bank location.

00H	IAR0	40H	ADRL
01H	MP0	41H	ADRH
02H	IAR1	42H	ADCR
03H	MP1	43H	ACSR
04H	BP	44H	ADPCR
05H	ACC	45H	SIM0CTL0
06H	PCL	46H	SIM0CTL1
07H	TBLP	47H	SIM0DR
08H	TBLH	48H	SIM0AR/SIM0CTL2
09H	RTCC	49H	SIM1CTL0
0AH	STATUS	4AH	SIM1CTL1
0BH	TBHP	4BH	SIM1DR
0CH	MISC0	4CH	SIM1AR/SIM1CTL2
0DH	MISC1	4DH	DAL
0EH	CLKMOD	4EH	DAH
0FH	DC2DC	4FH	DACTRL
10H	INTC0	50H	CCR
11H	INTC1	51H	CSR
12H	INTC2	52H	CCCR
13H		53H	CETU1
14H	MFIC0	54H	CETU0
15H	MFIC1	55H	CGT1
16H		56H	CGT0
17H		57H	CWT2
18H	PAWU	58H	CWT1
19H	PAPU	59H	CWT0
1AH	PA	5AH	CIER
1BH	PAC	5BH	CIPR
1CH	PBPU	5CH	CTXB
1DH	PB	5DH	CRXB
1EH	PBC	5EH	
1FH	PCPU	5FH	
20H	PC	60H	USC
21H	PCC	61H	USR
22H		62H	UCC
23H		63H	AWR
24H		64H	STALL
25H		65H	SIES
26H		66H	UMISC
27H		67H	SETIO
28H		68H	FIFO0
29H		69H	FIFO1
2AH		6AH	FIFO2
2BH	PWM0L	6BH	FIFO3
2CH	PWM0H	6CH	FIFO4
2DH	PWM1L	6DH	FIFO5
2EH	PWM1H	6EH	
2FH	PWM2L	6FH	
30H	PWM2H	70H	UIC
31H	PWM3L	71H	NTIM
32H	PWM3H	72H	PIPE
33H	TMR0	73H	
34H	TMROC	74H	
35H	TMR1H	75H	
36H	TMR1L	76H	
37H	TMR1C	77H	
38H	TMR2	78H	
39H	TMR2C	79H	
3AH	TMR3	7AH	
3BH	TMR3C	7BH	
3CH		7CH	
3DH		7DH	
3EH		7EH	
3FH	RCFLT	7FH	

: Unused Read as "XX"

Special Purpose Data Memory

Special Function Registers Description

To ensure successful operation of the microcontroller, certain internal registers are implemented in the Data Memory area. These registers ensure correct operation of internal functions such as timers, interrupts, etc., as well as external functions such as I/O data control and A/D converter operation. The location of these registers within the Data Memory begins at the address "00H". Any unused Data Memory locations between these special function registers and the point where the General Purpose Memory begins is reserved for future expansion purposes, attempting to read data from these locations will return a unknow value.

Indirect Addressing Registers – IAR0, IAR1

The Indirect Addressing Registers, IAR0 and IAR1, although having their locations in normal RAM register space, do not actually physically exist as normal registers. The method of indirect addressing for RAM data manipulation uses these Indirect Addressing Registers and Memory Pointers, in contrast to direct memory addressing, where the actual memory address is specified. Actions on the IAR0 and IAR1 registers will result in no actual read or write operation to these registers but rather to the memory location specified by their corresponding Memory Pointers, MP0 or MP1. Acting as a pair, IAR0 and MP0 can together access data from Bank 0 while the IAR1 and MP1 register pair can access data from any bank. As the Indirect Addressing Registers are not physically implemented, reading the Indirect Addressing Registers indirectly will return a result of "00H" and writing to the registers indirectly will result in no operation.

Memory Pointers – MP0, MP1

Two Memory Pointers, known as MP0 and MP1 are provided. These Memory Pointers are physically implemented in the Data Memory and can be manipulated in the same way as normal registers providing a convenient way with which to address and track data. When any operation to the relevant Indirect Addressing Registers is carried out, the actual address that the microcontroller is directed to, is the address specified by the related Memory Pointer. MP0, together with Indirect Addressing Register, IAR0, are used to access data from Bank 0, while MP1 and IAR1 are used to access data from all banks.

The following example shows how to clear a section of four RAM locations already defined as locations adres1 to adres4.

```
data .section 'data'
adres1 db ?
adres2 db ?
adres3 db ?
adres4 db ?
block db ?
code .section at 0 'code'
org 00h

start:
    mov a,04h                ; setup size of block
    mov block,a
    mov a,offset adres1     ; Accumulator loaded with first RAM address
    mov mp0,a               ; setup memory pointer with first RAM address

loop:
    clr IAR0                 ; clear the data at address defined by MP0
    inc mp0                  ; increment memory pointer
    sdz block                 ; check if last memory location has been cleared
    jmp loop

continue:
```

The important point to note here is that in the example shown above, no reference is made to specific RAM addresses.

Bank Pointer – BP

The Data Memory is divided into a total of 30 banks. Selecting the required Data Memory area is achieved using the Bank Pointer. If data in Bank 0 is to be accessed, then the BP register must be loaded with the value 00H, while if data in Bank 3 is to be accessed, then the BP register must be loaded with the value 03H, and so on.

The Data Memory is initialised to Bank 0 after a reset, except for the WDT time-out reset in the Power Down Mode, in which case, the Data Memory bank remains unaffected. It should be noted that the Special Function Data Memory is not affected by the bank selection, which means that the Special Function Registers can be accessed from within any bank. Directly addressing the Data Memory will always result in Bank 0 being accessed irrespective of the value of the Bank Pointer. Accessing data from banks other than Bank 0 must be implemented using Indirect addressing.

Bit	7	6	5	4	3	2	1	0
Name	BP7	BP6	BP5	BP4	BP3	BP2	BP1	BP0
R/W	R/W	R/W	R/W	R/W	R/W	R/W	R/W	R/W
POR	0	0	0	0	0	0	0	0

Bit 7~5 **BP7~BP5**: Program Memory Bank Selection bits

000: Program Memory Bank 0
 001: Program Memory Bank 1
 010: Program Memory Bank 2
 011: Program Memory Bank 3
 100: Program Memory Bank 4
 101: Program Memory Bank 5
 110~111: not implemented

The Program Memory has the capacity of 48K words implemented as 8K words × 6 Banks.

Bit 4~0 **BP4~BP0**: Data Memory Bank Selection bits

00000: Bank 0 for General Purpose Data Memory
 00001~00010: Not exist.
 00011~11111: Bank 3 ~ Bank 31 for General Purpose Data Memory

Accumulator – ACC

The Accumulator is central to the operation of any microcontroller and is closely related with operations carried out by the ALU. The Accumulator is the place where all intermediate results from the ALU are stored. Without the Accumulator it would be necessary to write the result of each calculation or logical operation such as addition, subtraction, shift, etc., to the Data Memory resulting in higher programming and timing overheads. Data transfer operations usually involve the temporary storage function of the Accumulator; for example, when transferring data between one user defined register and another, it is necessary to do this by passing the data through the Accumulator as no direct transfer between two registers is permitted.

Program Counter Low Register – PCL

To provide additional program control functions, the low byte of the Program Counter is made accessible to programmers by locating it within the Special Purpose area of the Data Memory. By manipulating this register, direct jumps to other program locations are easily implemented. Loading a value directly into this PCL register will cause a jump to the specified Program Memory location, however, as the register is only 8-bit wide, only jumps within the current Program Memory page are permitted. When such operations are used, note that a dummy cycle will be inserted.

Look-up Table Registers – TBLP, TBHP, TBLH

These three special function registers are used to control operation of the look-up table which is stored in the Program Memory. TBLP and TBHP registers are the lower order byte and high order byte table pointers and indicates the location where the table data is located. Their value must be setup before any table read commands are executed. Their value can be changed, for example using the "INC" or "DEC" instructions, allowing for easy table data pointing and reading. TBLH is the location where the high order byte of the table data is stored after a table read data instruction has been executed. Note that the lower order table data byte is transferred to a user defined location.

Status Register – STATUS

This 8-bit register contains the zero flag (Z), carry flag (C), auxiliary carry flag (AC), overflow flag (OV), power down flag (PDF), and watchdog time-out flag (TO). These arithmetic/logical operation and system management flags are used to record the status and operation of the microcontroller.

With the exception of the TO and PDF flags, bits in the status register can be altered by instructions like most other registers. Any data written into the status register will not change the TO or PDF flag. In addition, operations related to the status register may give different results due to the different instruction operations. The TO flag can be affected only by a system power-up, a WDT time-out or by executing the "CLR WDT" or "HALT" instruction. The PDF flag is affected only by executing the "HALT" or "CLR WDT" instruction or during a system power-up.

The Z, OV, AC and C flags generally reflect the status of the latest operations.

In addition, on entering an interrupt sequence or executing a subroutine call, the status register will not be pushed onto the stack automatically. If the contents of the status registers are important and if the subroutine can corrupt the status register, precautions must be taken to correctly save it.

Bit	7	6	5	4	3	2	1	0
Name	—	—	TO	PDF	OV	Z	AC	C
R/W	—	—	R	R	R/W	R/W	R/W	R/W
POR	—	—	0	0	x	x	x	x

"x" unknown

- Bit 7, 6 Unimplemented, read as "0"
- Bit 5 **TO:** Watchdog Time-Out flag
 0: After power up or executing the "CLR WDT" or "HALT" instruction
 1: A watchdog time-out occurred.
- Bit 4 **PDF:** Power down flag
 0: After power up or executing the "CLR WDT" instruction
 1: By executing the "HALT" instruction
- Bit 3 **OV:** Overflow flag
 0: no overflow
 1: an operation results in a carry into the highest-order bit but not a carry out of the highest-order bit or vice versa.
- Bit 2 **Z:** Zero flag
 0: The result of an arithmetic or logical operation is not zero
 1: The result of an arithmetic or logical operation is zero
- Bit 1 **AC:** Auxiliary flag
 0: no auxiliary carry
 1: an operation results in a carry out of the low nibbles in addition, or no borrow from the high nibble into the low nibble in subtraction
- Bit 0 **C:** Carry flag
 0: no carry-out
 1: an operation results in a carry during an addition operation or if a borrow does not take place during a subtraction operation
 C is also affected by a rotate through carry instruction.

Interrupt Control Registers

These 8-bit registers, known as INTC0, INTC1, INTC2, MFIC0, MFIC1 and MISC0, control the overall operations of the device interrupt functions. By setting various bits within these registers using standard bit manipulation instructions, the enable/disable function of each interrupt can be independently controlled. A master interrupt bit within the INTC0 register, the EMI bit, acts like a global enable/disable control and is used to set all of the interrupt enable bits on or off. This bit is cleared when an interrupt subroutine is entered to disable further interrupt and is set by executing the "RETI" instruction. The MISC0 register is used to select the active edges for the two external interrupt pins INT0 and INT1.

Timer/Event Counter Registers

The device contains several internal 8-bit and 16-bit Timer/Event Counters. The registers TMR0, TMR2, TMR3 and the register pair TMR1L/TMR1H are the locations where the timer values are located. These registers can also be preloaded with fixed data to allow different time intervals to be setup. The associated control registers, TMR0C, TMR1C, TMR2C and TMR3C contain the setup information for these timers, which determines in what mode the timer is to be used as well as containing the timer on/off control function.

Input/Output Ports and Control Registers

Within the area of Special Function Registers, the I/O data registers and their associated control registers play a prominent role. All I/O ports have a designated register correspondingly labeled as PA, PB and PC. These labeled I/O registers are mapped to specific addresses within the Data Memory as shown in the Data Memory table, which are used to transfer the appropriate output or input data on that port. With each I/O port there is an associated control register labeled PAC, PBC and PCC also mapped to specific addresses within the Data Memory. The control register specifies which pins of that port are set as inputs and which are set as outputs. To setup a pin as an input, the corresponding bit of the control register must be set high while for an output it must be set low. During program initialization, it is important to first setup the control registers to specify which pins are outputs and which are inputs before reading data from or writing data to the I/O ports. One flexible feature of these registers is the ability to directly program single bits using the "SET [m].i" and "CLR [m].i" instructions. The ability to change I/O pins from output to input and vice versa by manipulating specific bits of the I/O control registers during normal program operation is a useful feature of these devices.

Pulse Width Modulator Registers

The device contains multiple Pulse Width Modulator outputs each with their own related independent control register pair, known as PWM0L/PWM0H, PWM1L/PWM1H, PWM2L/PWM2H and PWM3L/PWM3H. The 12-bit contents of each register pair, which defines the duty cycle value for the modulation cycle of the Pulse Width Modulator, along with an enable bit are contained in these register pairs.

A/D Converter Registers – ADRL, ADRH, ADCR, ACSR

The device contains a multiple channel 12-bit A/D converter. The correct operation of the A/D requires the use of two data registers and two control registers. The two data registers, a high byte data register known as ADRH, and a low byte data register known as ADRL, are the register locations where the digital value is placed after the completion of an analog to digital conversion cycle. Functions such as the A/D enable/disable, A/D channel selection and A/D clock frequency are determined using the two control registers, ADCR and ACSR.

Serial Interface Module Registers

The device contains two Serial Interface Modules named SIM0 and SIM1 and each SIM contains an SPI and an I²C interface. The SIMxCTL0, SIMxCTL1, SIMxCTL2 and SIMxAR are the control registers for the Serial Interface function while the SIMxDR is the data register for the Serial Interface Data where x means 0 and 1.

Port A Wake-up Register – PAWU

All pins on Port A have a wake-up function enable a low going edge on these pins to wake-up the device when it is in a power down mode. The pins on Port A that are used to have a wake-up function are selected using this register.

Pull-High Registers – PAPU, PBPU, PCPU

All I/O pins on Ports PA, PB and PC if setup as inputs, can be connected to an internal pull-high resistor. The pins which require a pull-high resistor to be connected are selected using these registers.

Clock Control Register – CLKMOD

The device operates using a dual clock system whose mode is controlled using this register. The register controls functions such as the clock source, the idle mode enable and the division ratio for the slow clock.

Miscellaneous Register – MISC0, MISC1

These registers name MISC0 and MISC1 are used to control the miscellaneous functions such as the active edge selection of the external interrupt pins, the clock divided ratio selection of the Smart Card and the Watchdog Timer enable control bits. There are also four bits used to determine if the output type is open drain or CMOS output for PA0~PA3.

Input/Output Ports

Holtek microcontroller offer considerable flexibility on their I/O ports. With the input or output designation of every pin fully under user program control, pull-high selections for all ports and wake-up selections on certain pins, the user is provided with an I/O structure to meet the needs of a wide range of application possibilities.

The device provides up to 24 bidirectional input/output lines labeled with port names PA, PB and PC. These I/O ports are mapped to the RAM Data Memory with specific addresses as shown in the Special Purpose Data Memory table. All of these I/O ports can be used for input and output operations. For input operation, these ports are non-latching, which means the inputs must be ready at the T2 rising edge of instruction "MOV A,[m]", where m denotes the port address. For output operation, all the data is latched and remains unchanged until the output latch is rewritten.

Pull-high Resistors

Many product applications require pull-high resistors for their switch inputs usually requiring the use of an external resistor. To eliminate the need for these external resistors, all I/O pins, when configured as an input have the capability of being connected to an internal pull-high resistor. These pull-high resistors are selected using registers PAPU, PBPU and PCPU are implemented using weak PMOS transistors.

PAWU, PAPU, PA, PAC, PBPU, PB, PBC, PCPU, PC and PCC Registers

Register Name	POR	Bit							
		7	6	5	4	3	2	1	0
PAWU	00H	PAWU7	PAWU6	PAWU5	PAWU4	PAWU3	PAWU2	PAWU1	PAWU0
PAPU	00H	PAPU7	PAPU6	PAPU5	PAPU4	PAPU3	PAPU2	PAPU1	PAPU0
PA	FFH	PA7	PA6	PA5	PA4	PA3	PA2	PA1	PA0
PAC	FFH	PAC7	PAC6	PAC5	PAC4	PAC3	PAC2	PAC1	PAC0
PBPU	00H	PBPU7	PBPU6	PBPU5	PBPU4	PBPU3	PBPU2	PBPU1	PBPU0
PB	FFH	PB7	PB6	PB5	PB4	PB3	PB2	PB1	PB0
PBC	FFH	PBC7	PBC6	PBC5	PBC4	PBC3	PBC2	PBC1	PBC0
PCPU	00H	PCPU7	PCPU6	PCPU5	PCPU4	PCPU3	PCPU2	PCPU1	PCPU0
PC	FFH	PC7	PC6	PC5	PC4	PC3	PC2	PC1	PC0
PCC	FFH	PCC7	PCC6	PCC5	PCC4	PCC3	PCC2	PCC1	PCC0

PAWUn: PA wake-up function enable

0: disable
 1: enable

PAPUn/PBPUn/PCPUn: Pull-high function enable

0: disable
 1: enable

PAn/PBn/PCn: I/O port data bit

PACn/PBCn/PCCn: I/O port type selection bit

0: output
 1: input

Port A Wake-up

The HALT instruction forces the microcontroller into a Power Down condition which preserves power, a feature that is important for battery and other low-power applications. Various methods exist to wake-up the microcontroller, one of which is to change the logic condition on one of the Port A pins from high to low. After a HALT instruction forces the microcontroller into entering a Power Down condition, the processor will remain in a low-power state until the logic condition of the selected wake-up pin on Port A changes from high to low. This function is especially suitable for applications that can be woken up via external switches. Each pin on Port A can be selected individually to have this wake-up feature using the PAWU register.

Port A Open Drain Function

All I/O pins in the device have CMOS structures, however Port A pins PA0~PA3 can also be setup as open drain structures. This is implemented using the ODE0~ ODE3 bits in the MISC1 register.

MISC1 Register

Bit	7	6	5	4	3	2	1	0
Name	ODE3	ODE2	ODE1	ODE0	WDTEN3	WDTEN2	WDTEN1	WDTEN0
R/W	R/W	R/W	R/W	R/W	R/W	R/W	R/W	R/W
POR	0	0	0	0	1	0	1	0

- Bit 7 **ODE3**: PA3 Open Drain control
0: disable
1: enable
- Bit 6 **ODE2**: PA2 Open Drain control
0: disable
1: enable
- Bit 5 **ODE1**: PA1 Open Drain control
0: disable
1: enable
- Bit 4 **ODE0**: PA0 Open Drain control
0: disable
1: enable
- Bit 3~0 **WDTEN3, WDTEN2, WDTEN1, WDTEN0**: WDT function enable
Described in Watchdog Timer section.

I/O Port Control Registers

Each I/O port has its own control register known as PAC, PBC, etc., to control the input/output configuration. With this control register, each CMOS output or input with or without pull-high resistor structures can be reconfigured dynamically under software control. Each pin of the I/O ports is directly mapped to a bit in its associated port control register. For the I/O pin to function as an input, the corresponding bit of the control register must be written as a "1". This will then allow the logic state of the input pin to be directly read by instructions. When the corresponding bit of the control register is written as a "0", the I/O pin will be setup as a CMOS output. If the pin is currently setup as an output, instructions can still be used to read the output register. However, it should be noted that the program will in fact only read the status of the output data latch and not the actual logic status of the output pin.

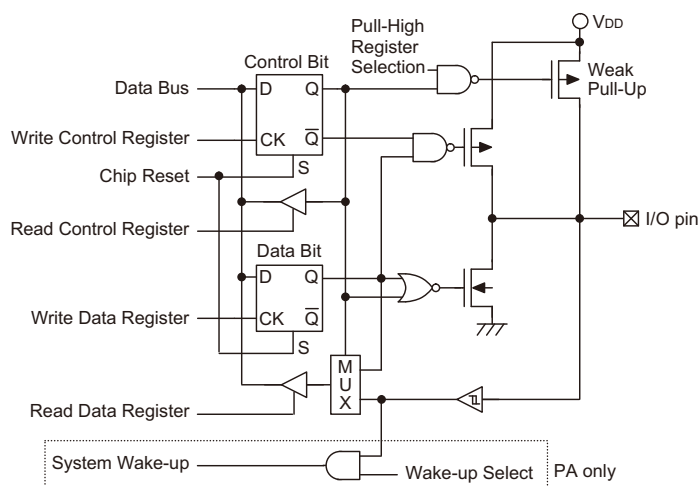
Pin-shared Functions

The flexibility of the microcontroller range is greatly enhanced by the use of pins that have more than one function. Limited numbers of pins can force serious design constraints on designers but by supplying pins with multi-functions, many of these difficulties can be overcome. For some pins, the chosen function of the multi-function I/O pins is set by configuration options while for others the function is set by application program control.

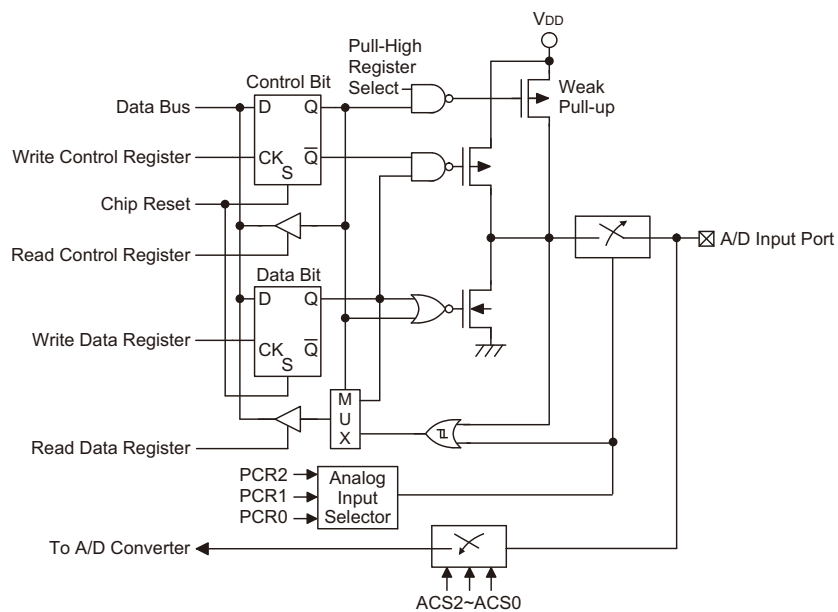
- **External Interrupt Inputs**
The external interrupt pins INT0 and INT1 are pin-shared with the I/O pins PA0 and PA1. For applications not requiring an external interrupt input, the pin-shared external interrupt pin can be used as a normal I/O pin, however to do this, the external interrupt enable bits in the INTC0 register must be disabled.
- **External Timer Clock Input**
The external timer pins TMR0, TMR1, TMR2 and TMR3 are pin-shared with I/O pins. To configure them to operate as timer inputs, the corresponding control bits in the timer control register must be correctly set and the pin must also be setup as an input. Note that the original I/O function will remain even if the pin is setup to be used as an external timer input.
- **PFD Output**
The device contains a PFD function whose single output is pin-shared with I/O pin PA3. The output function of this pin is chosen via a configuration option and remains fixed after the device is programmed. Note that the corresponding bit of the port control register, PAC.3, must setup the pin as an output to enable the PFD output. If the PAC port control register has setup the pin as an input, then the pin will function as a normal logic input with the usual pull-high selection, even if the PFD configuration option has been selected.
- **PWM Outputs**
The device contains several PWM outputs name PWM0~PWM3 shared with pins PC4~PC6 and PA5. The PWM output functions are chosen via registers. Note that the corresponding bit of the port control register bit must setup the pin as an output to enable the PWM output. If the port control register bit has setup the pin as an input, then the pin will function as a normal logic input with the usual pull-high selection, even if the PWM registers have enabled the PWM function.
- **A/D Inputs**
The device contains a multi-channel A/D converter inputs. All of these analog inputs are pin-shared with I/O pins on Port A. If these pins are to be used as A/D inputs and not as normal I/O pins then the corresponding bits in the A/D Converter Control Register, ADCR, must be properly set. There are no configuration options associated with the A/D function. If used as I/O pins, then full pull-high resistor register remain, however if used as A/D inputs then any pull-high resistor selections associated with these pins will be automatically disconnected.

I/O Pin Structures

The accompanying diagrams illustrate the internal structures of some I/O pin types. As the exact logical construction of the I/O pin will differ from these drawings, they are supplied as a guide only to assist with the functional understanding of the I/O pins. The wide range of pin-shared structures does not permit all types to be shown.



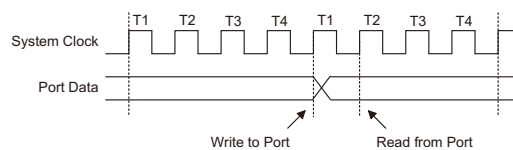
Generic Input/Output Structure



A/D Input/Output Structure

Programming Considerations

Within the user program, one of the first things to consider is port initialisation. After a reset, all of the I/O data and port control registers will be set high. This means that all I/O pins will default to an input state, the level of which depends on the other connected circuitry and whether pull-high selections have been chosen. If the port control registers, PAC, PBC, etc., are then programmed to setup some pins as outputs, these output pins will have an initial high output value unless the associated port data registers, PA, PB, etc., are first programmed. Selecting which pins are inputs and which are outputs can be achieved byte-wide by loading the correct values into the appropriate port control register or by programming individual bits in the port control register using the "SET [m].i" and "CLR [m].i" instructions. Note that when using these bit control instructions, a read-modify-write operation takes place. The microcontroller must first read in the data on the entire port, modify it to the required new bit values and then rewrite this data back to the output ports.



Read/Write Timing

Port A has the additional capability of providing wake-up functions. When the device is in the Power Down Mode, various methods are available to wake the device up. One of these is a high to low transition of any of the Port A pins. Single or multiple pins on Port A can be setup to have this function.

Timer/Event Counters

The provision of timers form an important part of any microcontroller, giving the designer a means of carrying out time related functions. The device contains several 8-bit and 16-bit count-up timers. As each timer has three different operating modes, they can be configured to operate as a general timer, an external event counter or as a pulse width measurement device. The provision of a prescaler to the clock circuitry of the 8-bit Timer/Event Counter also gives added range to this timer.

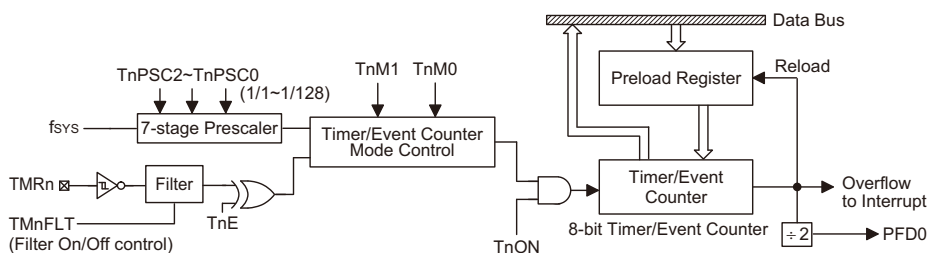
There are two types of registers related to the Timer/Event Counters. The first are the registers that contain the actual value of the Timer/Event Counter and into which an initial value can be preloaded. Reading from these registers retrieves the contents of the Timer/Event Counter. The second type of associated register is the Timer Control Register which defines the timer options and determines how the Timer/Event Counter is to be used. The Timer/Event Counters can have their clock configured to come from an internal clock source. In addition, their clock source can also be configured to come from an external timer pin.

Configuring the Timer/Event Counter Input Clock Source

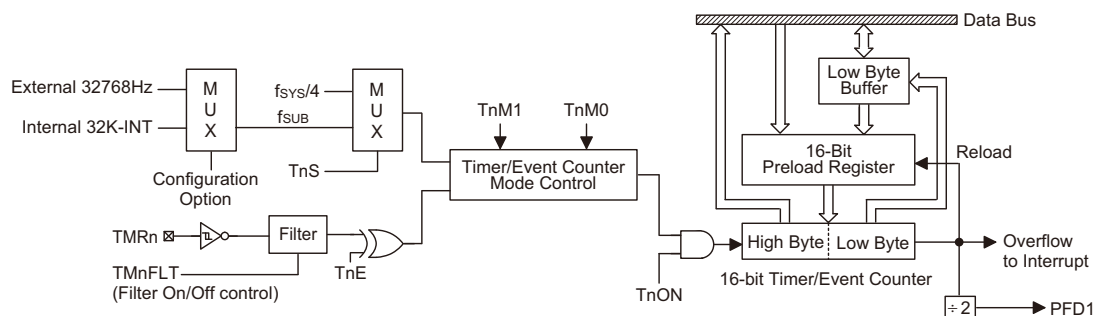
The internal timer's clock can originate from various sources. The system clock source is used when the Timer/Event Counter is in the timer mode or in the pulse width measurement mode. For the 8-bit Timer/Event Counter this internal clock source is f_{sys} which is also divided by a prescaler, the division ratio of which is conditioned by the Timer Control Register, TMRnC, bits TnPSC0~ TnPSC2. For the 16-bit Timer/Event Counter this internal clock source can be chosen from a combination of internal clocks using a configuration option and the TnS bit in the TMRnC register.

An external clock source is used when the timer is in the event counting mode, the clock source being provided on an external timer pin TMR0, TMR1, TMR2 or TMR3 depending upon which timer is used. Depending upon the condition of the TnE bit, each high to low, or low to high transition on the external timer pin will increment the counter by one.

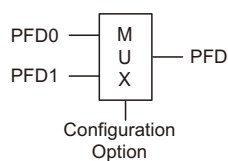
Name	Bits	Data Register	Control Register
Timer/Event Counter 0	8	TMR0	TMR0C
Timer/Event Counter 1	16	TMR1H/TMR1L	TMR1C
Timer/Event Counter 2	8	TMR2	TMR2C
Timer/Event Counter 3	8	TMR3	TMR3C



8-bit Timer/Event Counter Structure



16-bit Timer/Event Counter Structure



Timer/Event Counter Control Register – TMRnC (n=0, 2, 3)

Bit	7	6	5	4	3	2	1	0
Name	TnM1	TnM0	—	TnON	TnE	TnPSC2	TnPSC1	TnPSC0
R/W	R/W	R/W	—	R/W	R/W	R/W	R/W	R/W
POR	0	0	—	0	1	0	0	0

- Bit 7~6 **TnM1~TnM0**: Timer/Event Counter Operating mode selection bit
 00: no mode available
 01: Event Counter mode
 10: Timer mode
 11: Pulse width measurement mode
- Bit 5 Unimplemented, read as "0"
- Bit 4 **TnON**: Timer/Event Counter counting enable control
 0: disable
 1: enable
- Bit 3 **TnE**: Timer/Event Counter active edge selection bits
 For Event counter mode:
 0: count on rising edge
 1: count on falling edge
 For Pulse width measurement mode:
 0: start counting on falling edge
 1: start counting on rising edge
- Bit 2~0 **TnPSC2~TnPSC0**: Timer/Event Counter prescaler rate selection bits
 000: 1/1
 001: 1/2
 010: 1/4
 011: 1/8
 100: 1/16
 101: 1/32
 110: 1/64
 111: 1/128

Timer/Event Counter Control Register – TMRnC (n=1)

Bit	7	6	5	4	3	2	1	0
Name	TnM1	TnM0	TnS	TnON	TnE	—	—	—
R/W	R/W	R/W	R/W	R/W	R/W	—	—	—
POR	0	0	0	0	1	—	—	—

- Bit 7~6 **TnM1~TnM0**: Timer/Event Counter Operating mode selection bit
 00: no mode available
 01: Event Counter mode
 10: Timer mode
 11: Pulse width measurement mode
- Bit 5 **TnS**: Timer/Event Counter clock source selection bit
 0: $f_{SYS}/4$
 1: f_{SUB}
- Bit 4 **TnON**: Timer/Event Counter counting enable control
 0: disable
 1: enable
- Bit 3 **TnE**: Timer/Event Counter active edge selection bits
 For Event counter mode:
 0: count on rising edge
 1: count on falling edge
 For Pulse width measurement mode:
 0: start counting on falling edge
 1: start counting on rising edge
- Bit 2~0 Unimplemented, read as "0"

Timer Registers – TMR0, TMR1L/TMR1H, TMR2, TMR3

To choose which of the three modes the timer is to operate in, either in the timer mode, the event counting mode or the pulse width measurement mode, bits 7 and 6 of the corresponding Timer Control Register, which are known as the bit pair TnM1/TnM0, must be set to the required logic levels. The timer-on bit, which is bit 4 of the Timer Control Register and known as TnON, depending upon which timer is used, provides the basic on/off control of the respective timer. Setting the bit high allows the counter to run, clearing the bit stops the counter. For timers that have prescalers, bits 0~2 of the Timer Control Register determine the division ratio of the input clock prescaler. The prescaler bit settings have no effect if an external clock source is used. If the timer is in the event count or pulse width measurement mode, the active transition edge level type is selected by the logic level of bit 3 of the Timer Control Register which is known as TnE. An additional TnS bit in the 16-bit Timer/Event Counter control register is used to determine the clock source for the Timer/Event Counter.

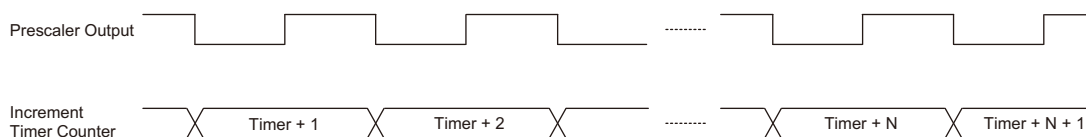
Configuring the Timer Mode

In this mode, the Timer/Event Counter can be utilised to measure fixed time intervals, providing an internal interrupt signal each time the Timer/Event Counter overflows. To operate in this mode, the Operating Mode Select bit pair, TnM1/TnM0, in the Timer Control Register must be set to the correct value as shown.

Control Register Operating Mode
 Select Bits for the Timer Mode

Bit7	Bit6
1	0

In this mode the internal clock, f_{SYS} , is used as the internal clock for 8-bit Timer/Event Counters and f_{SUB} or $f_{SYS}/4$ is used as the internal clock for 16-bit Timer/Event Counter. However, the clock source, f_{SYS} , for the 8-bit timer is further divided by a prescaler, the value of which is determined by the Prescaler Rate Select bits TnPSC2~TnPSC0, which are bits 2~0 in the Timer Control Register. After the other bits in the Timer Control Register have been setup, the enable bit TnON or TnON, which is bit 4 of the Timer Control Register, can be set high to enable the Timer/Event Counter to run. Each time an internal clock cycle occurs, the Timer/Event Counter increments by one. When it is full and overflows, an interrupt signal is generated and the Timer/Event Counter will reload the value already loaded into the preload register and continue counting. The interrupt can be disabled by ensuring that the Timer/Event Counter Interrupt Enable bit in the corresponding Interrupt Control Register, is reset to zero.



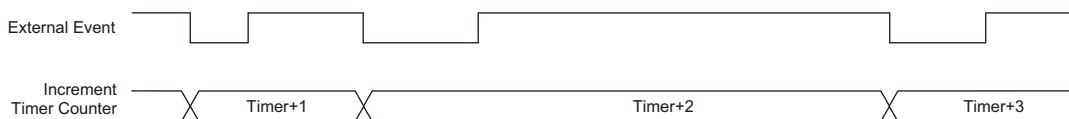
Timer Mode Timing Chart

Configuring the Event Counter Mode

In this mode, a number of externally changing logic events, occurring on the external timer pin, can be recorded by the Timer/Event Counter. To operate in this mode, the Operating Mode Select bit pair, TnM1/TnM0, in the Timer Control Register must be set to the correct value as shown.

Control Register Operating Mode Select Bits for the Event Counter Mode	Bit7	Bit6
	0	1

In this mode, the external timer pin, is used as the Timer/Event Counter clock source, however it is not divided by the internal prescaler. After the other bits in the Timer Control Register have been setup, the enable bit TnON, which is bit 4 of the Timer Control Register, can be set high to enable the Timer/Event Counter to run. If the Active Edge Select bit, TnE, which is bit 3 of the Timer Control Register, is low, the Timer/Event Counter will increment each time the external timer pin receives a low to high transition. If the Active Edge Select bit is high, the counter will increment each time the external timer pin receives a high to low transition. When it is full and overflows, an interrupt signal is generated and the Timer/Event Counter will reload the value already loaded into the preload register and continue counting. The interrupt can be disabled by ensuring that the Timer/Event Counter Interrupt Enable bit in the corresponding Interrupt Control Register, is reset to zero.



Event Counter Mode Timing Chart

As the external timer pin is shared with an I/O pin, to ensure that the pin is configured to operate as an event counter input pin, two things have to happen. The first is to ensure that the Operating Mode Select bits in the Timer Control Register place the Timer/Event Counter in the Event Counting Mode, the second is to ensure that the port control register configures the pin as an input. It should be noted that in the event counting mode, even if the microcontroller is in the Power Down Mode, the Timer/Event Counter will continue to record externally changing logic events on the timer input pin. As a result when the timer overflows it will generate a timer interrupt and corresponding wake-up source.

Configuring the Pulse Width Measurement Mode

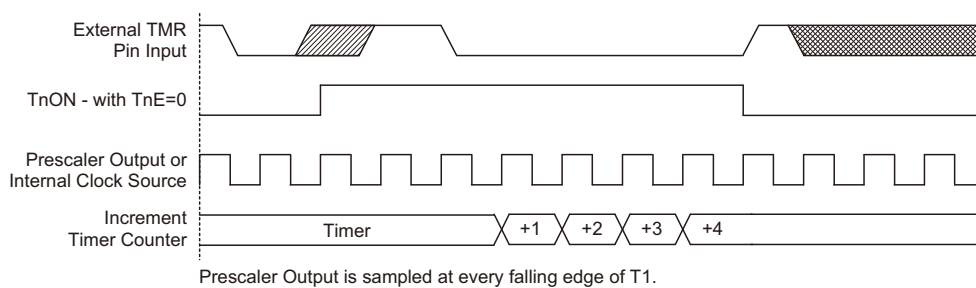
In this mode, the Timer/Event Counter can be utilised to measure the width of external pulses applied to the external timer pin. To operate in this mode, the Operating Mode Select bit pair, TnM1/TnM0, in the Timer Control Register must be set to the correct value as shown.

Control Register Operating Mode Select Bits for the Pulse Width Measurement Mode	Bit7	Bit6
	1	1

In this mode the internal clock, f_{SYS} , is used as the internal clock for the 8-bit Timer/Event Counter and f_{SUB} or $f_{SYS}/4$ is used as the internal clock for the 16-bit Timer/Event Counter. However, the clock source, f_{SYS} , for the 8-bit timer is further divided by a prescaler, the value of which is determined by the Prescaler Rate Select bits TnPSC2~TnPSC0, which are bits 2~0 in the Timer Control Register. After the other bits in the Timer Control Register have been setup, the enable bit TnON, which is bit 4 of the Timer Control Register, can be set high to enable the Timer/Event Counter, however it will not actually start counting until an active edge is received on the external timer pin.

If the Active Edge Select bit TnE, which is bit 3 of the Timer Control Register, is low, once a high to low transition has been received on the external timer pin, the Timer/Event Counter will start counting until the external timer pin returns to its original high level. At this point the enable bit will be automatically reset to zero and the Timer/Event Counter will stop counting. If the Active Edge Select bit is high, the Timer/Event Counter will begin counting once a low to high transition has been received on the external timer pin and stop counting when the external timer pin returns to its original low level. As before, the enable bit will be automatically reset to zero and the Timer/Event Counter will stop counting. It is important to note that in the Pulse Width Measurement Mode, the enable bit is automatically reset to zero when the external control signal on the external timer pin returns to its original level, whereas in the other two modes the enable bit can only be reset to zero under program control.

The residual value in the Timer/Event Counter, which can now be read by the program, therefore represents the length of the pulse received on the external timer pin. As the enable bit has now been reset, any further transitions on the external timer pin will be ignored. Not until the enable bit is again set high by the program can the timer begin further pulse width measurements. In this way, single shot pulse measurements can be easily Made.



Pulse Width Measure Mode Timing Chart

It should be noted that in this mode the Timer/Event Counter is controlled by logical transitions on the external timer pin and not by the logic level. When the Timer/Event Counter is full and overflows, an interrupt signal is generated and the Timer/Event Counter will reload the value already loaded into the preload register and continue counting. The interrupt can be disabled by ensuring that the Timer/Event Counter Interrupt Enable bit in the corresponding Interrupt Control Register, is reset to zero.

As the external timer pin is shared with an I/O pin, to ensure that the pin is configured to operate as a pulse width measurement pin, two things have to happen. The first is to ensure that the Operating Mode Select bits in the Timer Control Register place the Timer/Event Counter in the Pulse Width Measurement Mode, the second is to ensure that the port control register configures the pin as an input.

Programmable Frequency Divider – PFD

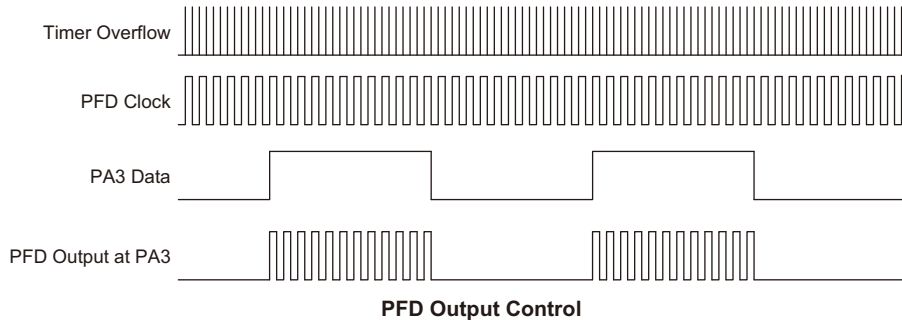
The Programmable Frequency Divider provides a means of producing a variable frequency output suitable for applications requiring a precise frequency generator.

The PFD output is pin-shared with the I/O pin PA3. The PFD function is selected via configuration option, however, if not selected, the pin can operate as a normal I/O pin.

The clock source for the PFD circuit can originate from either Timer/Event Counter 0 or Timer/Event Counter 1 overflow signal selected via configuration option. The output frequency is controlled by loading the required values into the timer registers and prescaler registers to give the required division ratio. The timer will begin to count-up from this preload register value until full, at which point an overflow signal is generated, causing the PFD output to change state. The timer will then be automatically reloaded with the preload register value and continue counting-up.

For the PFD output to function, it is essential that the corresponding bit of the Port A control register PAC bit 3 is setup as an output. If setup as an input the PFD output will not function, however, the pin can still be used as a normal input pin. The PFD output will only be activated if bit PA3 is set to "1". This output data bit is used as the on/off control bit for the PFD output. Note that the PFD output will be low if the PA3 output data bit is cleared to "0".

Using this method of frequency generation, and if a crystal oscillator is used for the system clock, very precise values of frequency can be generated.



Prescaler

Bits TnPSC0~TnPSC2 of the control register can be used to define the pre-scaling stages of the internal clock source of the Timer/Event Counter. The Timer/Event Counter overflow signal can be used to generate signals for the PFD and Timer Interrupt.

I/O Interfacing

The Timer/Event Counter, when configured to run in the event counter or pulse width measurement mode, require the use of external pins for correct operation. As these pins are shared pins they must be configured correctly to ensure they are setup for use as Timer/Event Counter inputs and not as a normal I/O pins. This is implemented by ensuring that the mode select bits in the Timer/Event Counter control register, select either the event counter or pulse width measurement mode. Additionally the Port Control Register must be set high to ensure that the pin is setup as an input. Any pull-high resistor on these pins will remain valid even if the pin is used as a Timer/Event Counter input.

Timer/Event Counter Pins Internal Filter

The external Timer/Event Counter pins are connected to an internal filter to reduce the possibility of unwanted event counting events or inaccurate pulse width measurements due to adverse noise or spikes on the external Timer/Event Counter input signal. As this internal filter circuit will consume a limited amount of power, several control bits named TMnFLT in the RCFLT register are provided to switch off the filter function, a choice which may be beneficial in power sensitive applications, but in which the integrity of the input signal is high.

RC Filter Control Register – RCFLT

Bit	7	6	5	4	3	2	1	0
Name	—	—	INT1FLT	INT0FLT	TM3FLT	TM2FLT	TM1FLT	TM0FLT
R/W	—	—	R/W	R/W	R/W	R/W	R/W	R/W
POR	—	—	0	0	1	0	0	0

- Bit 7~6 Unimplemented, read as "0"
- Bit 5 **INT1FLT**: External Interrupt 1 input RC Filter enable control
 0: disable
 1: enable
- Bit 4 **INT0FLT**: External Interrupt 0 input RC Filter enable control
 0: disable
 1: enable
- Bit 3 **TM3FLT**: Timer/Event Counter 3 input RC Filter enable control
 0: disable
 1: enable
- Bit 2 **TM2FLT**: Timer/Event Counter 2 input RC Filter enable control
 0: disable
 1: enable
- Bit 1 **TM1FLT**: Timer/Event Counter 1 input RC Filter enable control
 0: disable
 1: enable
- Bit 0 **TM0FLT**: Timer/Event Counter 0 input RC Filter enable control
 0: disable
 1: enable

Programming Considerations

When configured to run in the timer mode, the internal system clock is used as the timer clock source and is therefore synchronised with the overall operation of the microcontroller. In this mode when the appropriate timer register is full, the microcontroller will generate an internal interrupt signal directing the program flow to the respective internal interrupt vector. For the pulse width measurement mode, the internal system clock is also used as the timer clock source but the timer will only run when the correct logic condition appears on the external timer input pin. As this is an external event and not synchronised with the internal timer clock, the microcontroller will only see this external event when the next timer clock pulse arrives. As a result, there may be small differences in measured values requiring programmers to take this into account during programming. The same applies if the timer is configured to be in the event counting mode, which again is an external event and not synchronised with the internal system or timer clock.

When the Timer/Event Counter is read, or if data is written to the preload register, the clock is inhibited to avoid errors, however as this may result in a counting error, this should be taken into account by the programmer. Care must be taken to ensure that the timers are properly initialised before using them for the first time. The associated timer interrupt enable bits in the interrupt control register must be properly set otherwise the internal interrupt associated with the timer will remain inactive. The edge select, timer mode and clock source control bits in timer control register must also be correctly set to ensure the timer is properly configured for the required application. It is also important to ensure that an initial value is first loaded into the timer registers before the timer is switched on; this is because after power-on the initial values of the timer registers are unknown. After the timer has been initialised the timer can be turned on and off by controlling the enable bit in the timer control register. Note that setting the timer enable bit high to turn the timer on, should only be executed after the timer mode bits have been properly setup. Setting the timer enable bit high together with a mode bit modification, may lead to improper timer operation if executed as a single timer control register byte write instruction.

When the Timer/Event counter overflows, its corresponding interrupt request flag in the interrupt control register will be set. If the timer interrupt is enabled this will in turn generate an interrupt signal. However irrespective of whether the interrupts are enabled or not, a Timer/Event counter overflow will also generate a wake-up signal if the device is in a Power-down condition. This situation may occur if the Timer/Event Counter is in the Event Counting Mode and if the external signal continues to change state. In such a case, the Timer/Event Counter will continue to count these external events and if an overflow occurs the device will be woken up from its Power-down condition. To prevent such a wake-up from occurring, the timer interrupt request flag should first be set high before issuing the HALT instruction to enter the Power Down Mode.

Timer Program Example

This program example shows how the Timer/Event Counter registers are setup, along with how the interrupts are enabled and managed. Note how the Timer/Event Counter is turned on, by setting bit 4 of the Timer Control Register. The Timer/Event Counter can be turned off in a similar way by clearing the same bit. This example program sets the Timer/Event Counter to be in the timer mode, which uses the internal system clock as the clock source.

```

org 04h                ; Smart Card interrupt vector
    reti
org 08h                ; USB interrupt vector
    reti
org 0ch                ; External interrupt 0 vector
    reti
org 10h                ; External interrupt 1 vector
    reti
org 14h                ; Timer/Event Counter 0 interrupt vector
    jmp tmr0int        ; jump here when the Timer/Event Counter 0 overflows
    :
org 2Ch                ; internal Timer/Event Counter 0 interrupt routine
tmr0int:
    :                ; Timer/Event Counter 0 main program placed here
    :
    :
begin:
    mov a,09bh        ; setup Timer 0 registers
    mov tmr0,a        ; setup Timer 0 preload value
    mov a,081h        ; setup Timer 0 control register
    mov tmr0c,a       ; timer mode and prescaler set to /2
    :                ; setup interrupt register
    :                ; timer 0 interrupt
    mov a,002h
    mov int1c,a
    set int0c.0        ; enable master interrupt
    set tmr0c.4        ; start Timer/Event Counter 0 - note mode bits must be
    :                ; previously setup

```

Pulse Width Modulator

The device contains a series of Pulse Width Modulation, PWM, outputs. Useful for the applications such as motor speed control, the PWM function provides an output with a fixed frequency but with a duty cycle that can be varied by setting particular values into the corresponding PWM register.

PWM Mode	PWM Channels	Output Pin	Register Names
8+4	PWM0	PC4	PWM0H/PWM0L
	PWM1	PC5	PWM1H/PWM1L
	PWM2	PC6	PWM2H/PWM2L
	PWM3	PA5	PWM3H/PWM3L

PWM Overview

A register pair, located in the Data Memory is assigned to each Pulse Width Modulator output and are known as the PWM registers. It is in each register pair that the 12-bit value, which represents the overall duty cycle of one modulation cycle of the output waveform, should be placed. The PWM registers also contain the enable/disable control bit for the PWM outputs. To increase the PWM modulation frequency, each modulation cycle is modulated into sixteen individual modulation sub-sections, known as the 8+4 mode. Note that it is only necessary to write the required modulation value into the corresponding PWM register as the subdivision of the waveform into its sub-modulation cycles is implemented automatically within the microcontroller hardware. The PWM clock source is the system clock f_{SYS} .

This method of dividing the original modulation cycle into a further 16 sub-cycles enables the generation of higher PWM frequencies, which allow a wider range of applications to be served. As long as the periods of the generated PWM pulses are less than the time constants of the load, the PWM output will be suitable as such long time constant loads will average out the pulses of the PWM output. The difference between what is known as the PWM cycle frequency and the PWM modulation frequency should be understood. As the PWM clock is the system clock, f_{SYS} , and as the PWM value is 12-bits wide, the overall PWM cycle frequency is $f_{SYS}/4096$. However, when in the 8+4 mode of operation, the PWM modulation frequency will be $f_{SYS}/256$.

PWM Modulation Frequency	PWM Cycle Frequency	PWM Cycle Duty
$f_{SYS}/256$	$f_{SYS}/4096$	(PWM register value)/4096

8+4 PWM Mode Modulation

Each full PWM cycle, as it is 12-bits wide, has 4096 clock periods. However, in the 8+4 PWM mode, each PWM cycle is subdivided into sixteen individual sub-cycles known as modulation cycle 0 ~ modulation cycle 15, denoted as "i" in the table. Each one of these sixteen sub-cycles contains 256 clock cycles. In this mode, a modulation frequency increase of sixteen is achieved. The 12-bit PWM register value, which represents the overall duty cycle of the PWM waveform, is divided into two groups. The first group which consists of bit4~bit11 is denoted here as the DC value. The second group which consists of bit0~bit3 is known as the AC value. In the 8+4 PWM mode, the duty cycle value of each of the two modulation sub-cycles is shown in the following table.

Parameter	AC (0~15)	DC (Duty Cycle)
Modulation cycle i (i=0~15)	$i < AC$	$\frac{DC+1}{256}$
	$i \geq AC$	$\frac{DC}{256}$

8+4 Mode Modulation Cycle Values

The accompanying diagram illustrates the waveforms associated with the 8+4 mode of PWM operation. It is important to note how the single PWM cycle is subdivided into 16 individual modulation cycles, numbered 0~15 and how the AC value is related to the PWM value.

PWM Output Control

The four PWM0~PWM3 outputs are shared with I/O pins. To operate as a PWM output and not as an I/O pin, the relevant PWM enable control bit in PWMnL register must be set high where n denotes 0 from 3. A zero must also be written to the corresponding bit in the relevant port control register, to ensure that the PWM output pin is setup as an output. After these two initial steps have been carried out, and of course after the required PWM 12-bit value has been written into the PWM register pair register, writing a "1" to the corresponding port data register will enable the PWM data to appear on the pin. Writing a "0" to the bit will disable the PWM output function and force the output low. In this way, the Port data register bits, can also be used as an on/off control for the PWM function. Note that if the enable bit in the PWMnL register is set high to enable the PWM function, but a "1" has been written to its corresponding bit in the port control register to configure the pin as an input, then the pin can still function as a normal input line, with pull-high resistor selections.

PWM Register Pairs – PWMnH/PWMnL (n=0~3)

PWMnH Register

Bit	7	6	5	4	3	2	1	0
Name	D11	D10	D9	D8	D7	D6	D5	D4
R/W	R/W	R/W	R/W	R/W	R/W	R/W	R/W	R/W
POR	0	0	0	0	0	0	0	0

PWMnL Register

Bit	7	6	5	4	3	2	1	0
Name	D3	D2	D1	D0	—	—	—	PWMnEN
R/W	R/W	R/W	R/W	R/W	—	—	—	R/W
POR	0	0	0	0	—	—	—	0

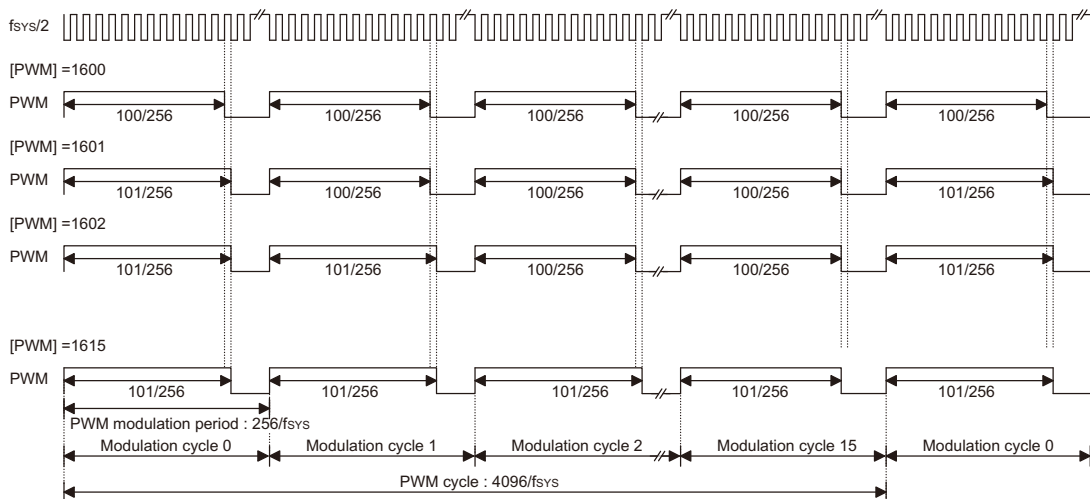
"—" unimplemented, read as "0"
D11~D4: PWMn duty DC value
D3~D0: PWMn duty AC value
PWMnEN: PWMn output enable control
 0: I/O pin enable
 1: PWM output pin enable

PWM Programming Example

The following sample program shows how the PWM output is setup and controlled.

```

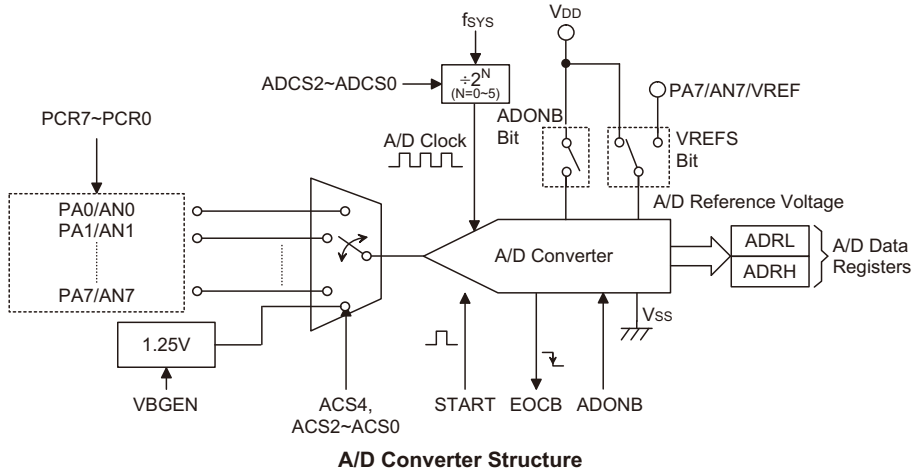
mov    a, 64h           ; setup PWM0 value to 1600 decimal which is 640H
mov    pwm0h, a        ; setup PWM0H register value
clr    pwm0l           ; setup PWM0L register value
clr    pcc.4           ; setup pin PC4 as an output
set    pwm0en         ; set the PWM0 enable bit
set    pc.4           ; Enable the PWM0 output
:      :
:      :
:      :
clr    pc.4           ; PWM0 output disabled - PC4 will remain low
    
```



8+4 PWM Mode

Analog to Digital Converter

The need to interface to real world analog signals is a common requirement for many electronic systems. However, to properly process these signals by a microcontroller, they must first be converted into digital signals by A/D converters. By integrating the A/D conversion electronic circuitry into the microcontroller, the need for external components is reduced significantly with the corresponding follow-on benefits of lower costs and reduced component space requirements.



A/D Overview

The device contains an 8-channel analog to digital converter which can directly interface to external analog signals, such as that from sensors or other control signals and convert these signals directly into either a 12-bit digital value.

Input Channels	Conversion Bits	Input Pins
8	12	PA0~PA7

The accompanying block diagram shows the overall internal structure of the A/D converter, together with its associated registers.

A/D Converter Data Registers – ADRL, ADRH

The device, which has an internal 12-bit A/D converter, requires two data registers, a high byte register, known as ADRH, and a low byte register, known as ADRL. After the conversion process takes place, these registers can be directly read by the microcontroller to obtain the digitised conversion value. Only the high byte register, ADRH, utilises its full 8-bit contents. The low byte register utilises only 4 bit of its 8-bit contents as it contains only the lowest bits of the 12-bit converted value.

In the following table, D0~D11 is the A/D conversion data result bits.

Register	Bit7	Bit6	Bit5	Bit4	Bit3	Bit2	Bit1	Bit0
ADRL	D3	D2	D1	D0	—	—	—	—
ADRH	D11	D10	D9	D8	D7	D6	D5	D4

A/D Data Registers

A/D Converter Control Registers – ADCR, ADPCR, ACSR

To control the function and operation of the A/D converter, three control registers known as ADCR, ADPCR and ACSR are provided. These 8-bit registers define functions such as the selection of which analog channel is connected to the internal A/D converter, which pins are used as analog inputs and which are used as normal I/Os, the A/D clock source as well as controlling the start function and monitoring the A/D converter end of conversion status.

The ACS2~ACS0 bits in the ADCR register define the channel number. As the device contains only one actual analog to digital converter circuit, each of the individual 8 analog inputs must be routed to the converter. It is the function of the ACS2~ACS0 bits in the ADCR register to determine which analog channel is actually connected to the internal A/D converter.

The ADPCR control register contains the PCR7~PCR0 bits which determine which pins on Port A are used as analog inputs for the A/D converter and which pins are to be used as normal I/O pins. If the PCRN bit has a value of 1, the related pin on PORT A will be set as an analog input. If the PCRN bit is set to zero, then the related pin on Port A will be setup as a normal I/O pin.

ACSR Register

Bit	7	6	5	4	3	2	1	0
Name	TEST	ADONB	ACS4	VBGEN	VREFS	ADCS2	ADCS1	ADCS0
R/W	R/W	R/W	R/W	R/W	R/W	R/W	R/W	R/W
POR	1	1	0	0	0	0	0	0

Bit 7 **TEST:** For test only, read as 1

Bit 6 **ADONB:** A/D Converter enable control
 0: A/D converter is turned off
 1: A/D converter is turned on

Bit 5 **ACS4:** Internal Band-gap reference voltage channel input selection
 0: A/D converter analog channel is connected to the analog input from AN0 to AN/7
 1: A/D converter analog channel is connected to the internal Band-gap voltage VBG

Bit 4 **VBGEN:** Band-gap reference voltage enable control
 0: Band-gap voltage V_{BG} is disabled and connected to the ground
 1: Band-gap voltage V_{BG} is enabled

The band-gap reference voltage V_{BG} is used for the A/D converter and LVD/LVR function, which is controlled by the band-gap reference voltage enable bit VBGEN in the ACSR register. If the VBG is not used for the A/D converter and the LVD/LVR function is disabled, the microcontroller hardware will automatically turned off the band-gap reference voltage to conserve power. Care must be taken as when the VREFS bit is set high for the A/D converter, then a V_{BG} turn on time t_{BG} must be allowed before any A/D conversions are implemented.

Bit 3 **VREFS:** A/D converter reference voltage selection bit
 0: from the internal voltage AV_{DD}
 1: from the external pin VREF

The A/D reference voltage can come from either the internal voltage AV_{DD} or the external voltage V_{REF} , which is selected by the VREFS bit in the ACSR register. When the VREFS bit is cleared to 0, the reference voltage of the A/D converter comes from the internal A/D power supply V_{ADD} and the external VREF pin can be used as an I/O pin or other pin-shared function. When the VREFS bit is set to 1, the reference voltage of the A/D converter comes from the external VREF pin and the I/O or other pin-shared functions are disabled.

Bit 2~0 **ADCS2~ADCS0:** Select A/D converter clock source
 000: $f_{SYS}/2$
 001: $f_{SYS}/8$
 010: $f_{SYS}/32$
 011: undefined
 100: f_{SYS}
 101: $f_{SYS}/4$
 110: $f_{SYS}/16$
 111: undefined

ADCR Register

Bit	7	6	5	4	3	2	1	0
Name	START	EOCB	—	—	—	ACS2	ACS1	ACS0
R/W	R/W	R	—	—	—	R/W	R/W	R/W
POR	0	1	—	—	—	0	0	0

- Bit 7 **START:** Start the A/D conversion
0→1→0 : start
0→1 : reset the A/D converter and set EOCB to "1"
- Bit 6 **EOCB:** End of A/D Conversion flag
0: A/D conversion ended
1: A/D conversion waiting or in progress
- Bit 5~3 unimplemented, read as "0"
- Bit 2~0 **ACS2~ACS0:** A/D converter channel selection bits
000: AN0 is selected
001: AN1 is selected
010: AN2 is selected
011: AN3 is selected
100: AN4 is selected
101: AN5 is selected
110: AN6 is selected
111: AN7 is selected

ADPCR Register

Bit	7	6	5	4	3	2	1	0
Name	PCR7	PCR6	PCR5	PCR4	PCR3	PCR2	PCR1	PCR0
R/W	R/W	R/W	R/W	R/W	R/W	R/W	R/W	R/W
POR	0	0	0	0	0	0	0	0

- Bit 7~0 **PCR7~PCR0:** A/D converter analog channel configuration
0: I/O pin or other pin-shared function
1: A/D analog channel
When the related bit is set to 1, the corresponding pin is used as an analog input and all other pin-shared functions are disabled automatically.

A/D Operation

The START bit in the register is used to start and reset the A/D converter. When the microcontroller sets this bit from low to high and then low again, an analog to digital conversion cycle will be initiated. When the START bit is brought from low to high but not low again, the EOCB bit in the ADCR register will be set to a "1" and the analog to digital converter will be reset. It is the START bit that is used to control the overall on/off operation of the internal analog to digital converter.

The EOCB bit in the ADCR register is used to indicate when the analog to digital conversion process is complete. This bit will be automatically set to "0" by the microcontroller after a conversion cycle has ended. In addition, the corresponding A/D interrupt request flag will be set in the interrupt control register, and if the interrupts are enabled, an appropriate internal interrupt signal will be generated. This A/D internal interrupt signal will direct the program flow to the associated A/D internal interrupt address for processing. If the A/D internal interrupt is disabled, the microcontroller can be used to poll the EOCB bit in the ADCR register to check whether it has been cleared as an alternative method of detecting the end of an A/D conversion cycle.

The clock source for the A/D converter, which originates from the system clock f_{SYS} , is first divided by a division ratio, the value of which is determined by the ADCS2, ADCS1 and ADCS0 bits in the ACSR register.

Controlling the on/off function of the A/D converter circuitry is implemented using the ADONB bit in the ACSR register. When the ADONB bit is cleared to 0, the A/D converter is enabled.

Although the A/D clock source is determined by the system clock f_{SYS} , and by bits ADCS2~ADCS0, there are some limitations on the maximum A/D clock source speed that can be selected. As the minimum value of permissible A/D clock period, t_{AD} , is 0.5 μ s, care must be taken for system clock frequencies equal to or greater than 4MHz. For example, if the system clock operates at a frequency of 4MHz, the ADCS2~ADCS0 bits should not be set to "100". Doing so will give A/D clock periods that are less than the minimum A/D clock period which may result in inaccurate A/D conversion values. Refer to the following table for examples, where values marked with an asterisk * show where, depending upon the device, special care must be taken, as the values may be less than the specified minimum A/D Clock Period.

f_{SYS}	A/D Clock Period (t_{AD})							
	ADCS=000 ($t_{AD}=2/f_{SYS}$)	ADCS=001 ($t_{AD}=8/f_{SYS}$)	ADCS=010 ($t_{AD}=32/f_{SYS}$)	ADCS=011 (undefined)	ADCS=100 ($t_{AD}=1/f_{SYS}$)	ADCS=101 ($t_{AD}=4/f_{SYS}$)	ADCS=110 ($t_{AD}=16/f_{SYS}$)	ADCS=111 (undefined)
1MHz	2 μ s	8 μ s	32 μ s	Undefined	1 μ s	4 μ s	16 μ s	Undefined
2MHz	1 μ s	4 μ s	16 μ s	Undefined	500ns	2 μ s	8 μ s	Undefined
4MHz	500ns	2 μ s	8 μ s	Undefined	250ns*	1 μ s	4 μ s	Undefined
8MHz	250ns*	1 μ s	4 μ s	Undefined	125ns*	500ns	2 μ s	Undefined
12MHz	167ns*	667ns	2.67 μ s	Undefined	83ns*	333ns*	1.33 μ s	Undefined

A/D Clock Period Examples

A/D Input Pins

All of the A/D analog input pins are pin-shared with the I/O pins on Port A. Bits PCR7~PCR0 in the ADPCR register, determine whether the input pins are setup as normal input/output pins or whether they are setup as analog inputs. In this way, pins can be changed under program control to change their function from normal I/O operation to analog inputs and vice versa. Pull-high resistors, which are setup through register programming, apply to the input pins only when they are used as normal I/O pins, if setup as A/D inputs the pull-high resistors will be automatically disconnected. Note that it is not necessary to first setup the A/D pin as an input in the port control register to enable the A/D input as when the PCR7~PCR0 bits enable an A/D input, the status of the port control register will be overridden. The A/D converter has its own power supply pins AVDD and AVSS and a VREF reference pin. The analog input values must not be allowed to exceed the value of VREF.

Initialising the A/D Converter

The internal A/D converter must be initialised in a special way. Each time the A/D channel selection bits are modified by the program, the A/D converter must be re-initialised. If the A/D converter is not initialised after the channel selection bits are changed, the EOCB flag may have an undefined value, which may produce a false end of conversion signal. To initialise the A/D converter after the channel selection bits have changed, then the START bit in the ADCR register must first be set high and then immediately cleared to zero. This will ensure that the EOCB flag is correctly set to a high condition.

Summary of A/D Conversion Steps

The following summarises the individual steps that should be executed in order to implement an A/D conversion process.

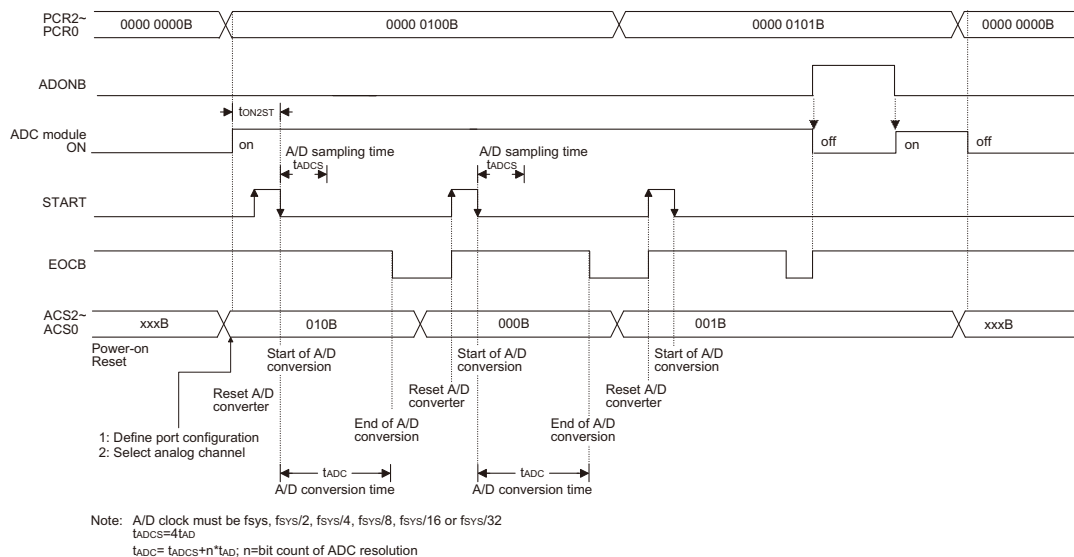
- Step 1
Select the required A/D conversion clock by correctly programming bits ADCS2, ADCS1 and ADCS0 in the register.
- Step 2
Enable the A/D by clearing the in the ACSR register to zero.

- Step 3
 Select which channel is to be connected to the internal A/D converter by correctly programming the ACS2~ACS0 bits which are also contained in the register.
- Step 4
 Select which pins on the I/O port are to be used as A/D inputs and configure them as A/D input pins by correctly programming the PCR7~PCR0 bits in the ADPCR register.
- Step 5
 If the interrupts are to be used, the interrupt control registers must be correctly configured to ensure the A/D converter interrupt function is active. The master interrupt control bit, EMI, in the INTC0 interrupt control register must be set to "1" and the A/D converter interrupt enable bit, EADI, in the INTC2 register must also be set to "1".
- Step 6
 The analog to digital conversion process can now be initialised by setting the START bit in the ADCR register from "0" to "1" and then to "0" again. Note that this bit should have been originally set to "0".
- Step 7
 To check when the analog to digital conversion process is complete, the EOCB bit in the ADCR register can be polled. The conversion process is complete when this bit goes low. When this occurs the A/D data registers ADRL and ADRH can be read to obtain the conversion value. As an alternative method if the interrupts are enabled and the stack is not full, the program can wait for an A/D interrupt to occur.

Note When checking for the end of the conversion process, if the method of polling the bit in the ADCR register is used, the interrupt enable step above can be omitted.

The accompanying diagram shows graphically the various stages involved in an analog to digital conversion process and its associated timing.

The setting up and operation of the A/D converter function is fully under the control of the application program as there are no configuration options associated with the A/D converter. After an A/D conversion process has been initiated by the application program, the microcontroller internal hardware will begin to carry out the conversion, during which time the program can continue with other functions. The time taken for the A/D conversion is $16t_{AD}$ where t_{AD} is equal to the A/D clock period.



A/D Conversion Timing

Programming Considerations

The A/D converter can be powered down by setting the ADONB bit in ACSR register to reduce power consumption. It is an important ability for some applications such as battery powered or handheld appliance.

Another important programming consideration is that when the A/D channel selection bits change value, the A/D converter must be re-initialised. This is achieved by pulsing the START bit in the ADCR register immediately after the channel selection bits have changed state. The exception to this is where the channel selection bits are all cleared, in which case the A/D converter is not required to be re-initialised.

A/D Programming Example

The following two programming examples illustrate how to setup and implement an A/D conversion. In the first example, the method of polling the EOCB bit in the ADCR register is used to detect when the conversion cycle is complete, whereas in the second example, the A/D interrupt is used to determine when the conversion is complete.

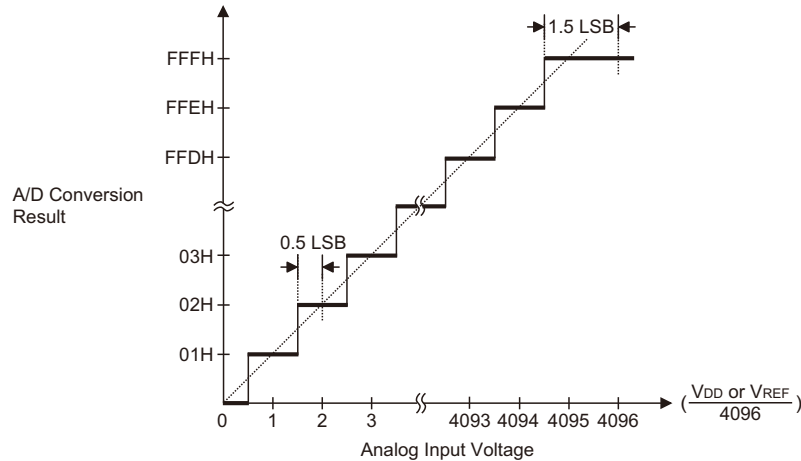
Example: using an EOCB polling method to detect the end of conversion

```
clr  EADI                ; disable ADC interrupt
mov  a,00000001B
mov  ACSR,a              ; select fsys/8 as A/D clock and turn on ADONB bit
mov  a,0FH               ; setup ADPCR register to configure Port A pin PA0~PA3
mov  ADPCR,a             ; as A/D inputs
mov  a,00H               ; and select AN0 to be connected to the A/D converter
mov  ADCR,a
:
:                        ; As the Port A channel bits have changed the
:                        ; following START
:                        ; signal (0-1-0) must be issued
:                        ; instruction cycles
:
Start_conversion:
clr  START
set  START               ; reset A/D
clr  START               ; start A/D
Polling_:
sz   EOCB                ; poll the ADCR register EOCB bit to detect end
                        ; of A/D conversion
jmp  polling_EOC         ; continue polling
mov  a,ADRL              ; read low byte conversion result value
mov  adrl_buffer,a       ; save result to user defined register
mov  a,ADRH              ; read high byte conversion result value
mov  adrh_buffer,a       ; save result to user defined register
:
jmp  start_conversion    ; start next A/D conversion
```


A/D Transfer Function

As the device contains a 12-bit A/D converter, its full-scale converted digitised value is equal to FFFH. Since the full-scale analog input value is equal to the V_{DD} or V_{REF} voltage, this gives a single bit analog input value of $(V_{DD} \text{ or } V_{REF}) \div 4096$. The diagram shows the ideal transfer function between the analog input value and the digitised output value for the A/D converter.

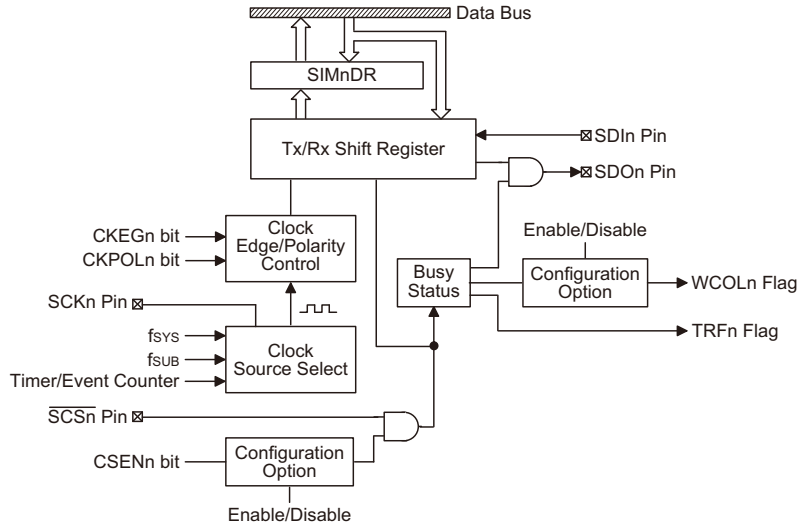
Note that to reduce the quantisation error, a 0.5 LSB offset is added to the A/D Converter input. Except for the digitised zero value, the subsequent digitised values will change at a point 0.5 LSB below where they would change without the offset, and the last full scale digitized value will change at a point 1.5 LSB below the V_{DD} or V_{REF} level.



Ideal A/D Transfer Function

Serial Interface Function – SIM

The device contains two Serial Interface Modules named SIM0 and SIM1 to implement Serial Interface Function, which includes both the four line SPI interface and the two line I²C interface types, to allow an easy method of communication with external peripheral hardware. Having relatively simple communication protocols, these serial interface types allow the microcontroller to interface to external SPI or I²C based hardware such as sensors, Flash or EEPROM memory, etc. The SIM interface pins are pin-shared with other I/O pins therefore the SIM interface function must first be selected using a configuration option. As both interface types share the same pins and registers, the choice of whether the SPI or I²C type is used is made using a bit in an internal register.

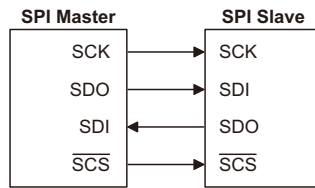


SPI Block Diagram

SPI Interface

The SPI interface is often used to communicate with external peripheral devices such as sensors, Flash or EEPROM memory devices etc. Originally developed by Motorola, the four line SPI interface is a synchronous serial data interface that has a relatively simple communication protocol simplifying the programming requirements when communicating with external hardware devices.

The communication is full duplex and operates as a slave/master type, where the MCU can be either master or slave. Although the SPI interface specification can control multiple slave devices from a single master, here, as only a single select pin, \overline{SCS} , is provided only one slave device can be connected to the SPI bus.



SPI Master/Slave Connection

- SPI Interface Operation

The SPI interface is a full duplex synchronous serial data link. It is a four line interface with pin names SDIn, SDO_n, SCK_n and $\overline{\text{SCSn}}$ where n stands for 0 and 1 respectively. Pins SDIn and SDO_n are the Serial Data Input and Serial Data Output lines, SCK_n is the Serial Clock line and $\overline{\text{SCSn}}$ is the Slave Select line. As the SPI interface pins are pin-shared with normal I/O pins and with the I2C function pins, the SPI interface must first be enabled by selecting the SIM_n enable configuration options and setting the correct bits in the SIM_nCTL0/SIM_nCTL2 register. After the SIM_n configuration option has been configured it can also be additionally disabled or enabled using the SIMEN bit in the SIM_nCTL0 register. Communication between devices connected to the SPI interface is carried out in a slave/master mode with all data transfer initiations being implemented by the master. The Master also controls the clock signal. As each SIM only contains a single $\overline{\text{SCS}}$ pin, only one slave device can be utilized for each SIM.

The SPI function in this device offers the following features:

- ♦ Full duplex synchronous data transfer
- ♦ Both Master and Slave modes
- ♦ LSB first or MSB first data transmission modes
- ♦ Transmission complete flag
- ♦ Rising or falling active clock edge
- ♦ WCOL_n and CSEN_n bit enabled or disable select

The status of the SPI interface pins is determined by a number of factors such as whether the device is in the master or slave mode and upon the condition of certain control bits such as CSEN_n, SIM_nEN and $\overline{\text{SCSn}}$. In the table I, Z represents an input floating condition. There are several configuration options associated with the SPI interface. One of these is to enable the SIM_n function which selects the SIM_n pins rather than normal I/O pins. Note that if the configuration option does not select the SIM_n function then the SIM_nEN bit in the SIM_nCTL0 register will have no effect. Another two SIM_n configuration options determine if the CSEN_n and WCOL_n bits are to be used.

Configuration Option	Function
SIM _n Function	SIM _n interface or I/O pins
SPI CSEN _n bit	Enable/Disable
SPI WCOL _n bit	Enable/Disable

SPI Interface Configuration Options

SIM0 Control Register 0 – SIM0CTL0

Bit	7	6	5	4	3	2	1	0
Name	S0SIM2	S0SIM1	S0SIM0	PCKEN	PCKPSC1	PCKPSC0	SIM0EN	—
R/W	R/W	R/W	R/W	R/W	R/W	R/W	R/W	—
POR	1	1	1	0	0	0	0	—

- Bit 7~5 **S0SIM2~S0SIM0**: SIM0 mode and clock selection
000: SIM0 in SPI master mode with $f_{SYS}/4$ clock source
001: SIM0 in SPI master mode with $f_{SYS}/16$ clock source
010: SIM0 in SPI master mode with $f_{SYS}/64$ clock source
011: SIM0 in SPI master mode with f_{SUB} clock source
100: SIM0 in SPI master mode with Timer/Event Counter 0 overflow/2 clock (PFD0)
101: SIM0 in SPI slave mode
110: SIM0 in I²C mode
111: Reserved
- Bit 4 **PCKEN**: Peripheral Clock PCK enable control
0: PCK output is disabled
1: PCK output is enabled
- Bit 3~2 **PCKPSC1~PCKPSC0**: Peripheral Clock PCK output clock prescaler
00: f_{SYS}
01: $f_{SYS}/4$
10: $f_{SYS}/8$
11: Timer/Event Counter 0 overflow /2 (PFD0)
- Bit 1 **SIM0EN**: SIM0 enable control
0: SIM0 is disabled
1: SIM0 is enabled
- Bit 0 unimplemented, read as "0"

SIM1 Control Register 0 – SIM1CTL0

Bit	7	6	5	4	3	2	1	0
Name	S1SIM2	S1SIM1	S1SIM0	—	—	—	SIM1EN	—
R/W	R/W	R/W	R/W	—	—	—	R/W	—
POR	1	1	1	—	—	—	0	—

- Bit 7~5 **S1SIM2~S1SIM0**: SIM1 mode and clock selection
000: SIM1 in SPI master mode with $f_{SYS}/4$ clock source
001: SIM1 in SPI master mode with $f_{SYS}/16$ clock source
010: SIM1 in SPI master mode with $f_{SYS}/64$ clock source
011: SIM1 in SPI master mode with f_{SUB} clock source
100: SIM1 in SPI master mode with Timer/Event Counter 0 overflow/2 clock (PFD0)
101: SIM1 in SPI slave mode
110: SIM1 in I²C mode
111: Reserved
- Bit 4~2 unimplemented, read as "0"
- Bit 1 **SIM1EN**: SIM1 enable control
0: SIM1 is disabled
1: SIM1 is enabled
- Bit 0 unimplemented, read as "0"

SIMn Control Register 1 – SIMnCTL1 (n=0 or 1) for I²C Mode

Bit	7	6	5	4	3	2	1	0
Name	HCFn	HAASn	HBBn	HTXn	TXAKn	SRWn	—	RXAKn
R/W	R/W	R/W	R/W	R/W	R/W	R/W	—	R/W
POR	1	0	0	0	0	0	—	0

- Bit 7** **HCFn:** I²C Bus data transfer completion flag
0: Data is being transferred
1: Completion of an 8-bit data transfer
The HCFn flag is the data transfer flag. This flag will be zero when data is being transferred. Upon completion of an 8-bit data transfer the flag will go high and an interrupt will be generated.
- Bit 6** **HAASn:** I²C Bus address match flag
0: No address match
1: Address match
The HAASn flag is the address match flag. This flag is used to determine if the slave device address is the same as the master transmit address. If the addresses match, then this bit will be high. If there is no address match, then the flag will be low.
- Bit 5** **HBBn:** I²C Bus busy flag
0: I²C Bus is not busy
1: I²C Bus is busy
The HBBn flag is the I²C busy flag. This flag will be 1 when the I²C bus is busy which will occur when a START signal is detected. The flag will be set to 0 when the bus is free which will occur when a STOP signal is detected.
- Bit 4** **HTXn:** Select I²C slave device is transmitter or receiver
0: Slave device is the receiver
1: Slave device is the transmitter
- Bit 3** **TXAKn:** I²C Bus transmit acknowledge flag
0: Slave sends acknowledge flag
1: Slave does not send acknowledge flag
The TXAKn bit is the transmit acknowledge flag. After the slave device receipt of 8-bit of data, this bit will be transmitted to the bus on the 9th clock from the slave device. The slave device must always set TXAKn bit to 0 before further data is received.
- Bit 2** **SRWn:** I²C Slave Read/Write flag
0: Slave device should be in receive mode
1: Slave device should be in transmit mode
The SRWn flag is the I²C Slave Read/Write flag. This flag determines whether the master device wishes to transmit or receive data to or from the I²C bus. When the transmitted address and slave address is match, that is when the HAASn flag is set high, the slave device will check the SRWn flag to determine whether it should be in transmit mode or receive mode. If the SRWn flag is high, the master is requesting to read data from the bus, so the slave device should be in transmit mode. When the SRWn flag is zero, the master will write data to the bus, therefore the slave device should be in receive mode to read this data.
- Bit 1** unimplemented, read as "0"
- Bit 0** **RXAKn:** I²C Bus Receive acknowledge flag
0: Slave receives acknowledge flag
1: Slave does not receive acknowledge flag
The RXAKn flag is the receiver acknowledge flag. When the RXAKn flag is 0, it means that a acknowledge signal has been received at the 9th clock, after 8 bits of data have been transmitted. When the slave device in the transmit mode, the slave device checks the RXAKn flag to determine if the master receiver wishes to receive the next byte. The slave transmitter will therefore continue sending out data until the RXAKn flag is 1. When this occurs, the slave transmitter will release the SDA_n line to allow the master to send a STOP signal to release the I²C Bus.

SIMn Control Register 2 – SIMnCTL2 (n=0 or 1) for SPI Mode

Bit	7	6	5	4	3	2	1	0
Name	—	—	CKPOLn	CKEG	MLSn	CSEn	WCOLn	TRFn
R/W	—	—	R/W	R/W	R/W	R/W	R/W	R/W
POR	—	—	0	0	0	0	0	0

Bit 7~6 undefined bit, read as 0

Bit 5 **CKPOLn**: Determines the base condition of the SPI clock line
 0: the SCKn line will be high when the SPI clock is inactive
 1: the SCKn line will be low when the SPI clock is inactive
 The CKPOLn bit determines the base condition of the SPI clock line, if the bit is high, then the SCKn line will be low when the clock is inactive. When the CKPOLn bit is low, then the SCKn line will be high when the clock is inactive.

Bit 4 **CKEG**: Determines SPI SCKn active clock edge type
 CKPOLn=0
 0: SCKn is high base level and data capture at SCKn rising edge
 1: SCKn is high base level and data capture at SCKn falling edge
 CKPOLn=1
 0: SCKn is low base level and data capture at SCKn falling edge
 1: SCKn is low base level and data capture at SCKn rising edge
 The CKEGn and CKPOLn bits are used to setup the way that the clock signal outputs and inputs data on the SPI bus. These two bits must be configured before data transfer is executed otherwise an erroneous clock edge may be generated. The CKPOLn bit determines the base condition of the clock line. If the bit is high, then the SCKn line will be low when the clock is inactive. When the CKPOLn bit is low, then the SCKn line will be high when the clock is inactive. The CKEGn bit determines active clock edge type which depends upon the condition of CKPOLn bit.

Bit 3 **MLSn**: SPI Data shift order
 0: LSB shift first
 1: MSB shift first
 This is the data shift select bit and is used to select how the data is transferred, either MSB or LSB first. Setting the bit high will select MSB first and low for LSB first.

Bit 2 **CSEn**: SPI \overline{SCSn} pin control
 0: Disable
 1: Enable
 The CSEn bit is used as an enable/disable for the \overline{SCSn} pin. If this bit is low, then the \overline{SCSn} pin will be disabled and placed into a floating condition. If the bit is high the \overline{SCSn} pin will be enabled and used as a select pin.
 Note that using the CSEn bit can be disabled or enabled via configuration option.

Bit 1 **WCOLn**: SPI Write Collision flag
 0: No collision
 1: Collision
 The WCOLn flag is used to detect if a data collision has occurred. If this bit is high it means that data has been attempted to be written to the SIMnDR register during a data transfer operation. This writing operation will be ignored if data is being transferred. The bit can be cleared by the application program. Note that using the WCOLn bit can be disabled or enabled via configuration option.

Bit 0 **TRFn**: SPI Transmit/Receive Complete flag
 0: Data is being transferred
 1: SPI data transmission is completed
 The TRFn bit is the Transmit/Receive Complete flag and is set to 1 automatically when an SPI data transmission is completed, but must set to 0 by the application program. It can be used to generate an interrupt.

SPI Registers

There are three internal registers which control the overall operation of the SPI interface for each SIM. These are the SIMnDR data register and two control registers SIMnCTL0 and SIMnCTL2. Note that the SIMnCTL1 register is only used by the I²C interface.

Pin	Master/Salve SIMnEN=0	Master – SIMnEN=1		Slave – SIMnEN=1		
		CSENn=1	CSENn=0	CSENn=0	SCSn Line=0 (CSENn=1)	SCSn Line=1 (CSENn=1)
SCSn	Z	L	Z	Z	I, Z	I, Z
SDOn	Z	O	O	O	O	Z
SDIn	Z	I, Z	I, Z	I, Z	I, Z	Z
SCKn	Z	H: CKPOLn=0 L: CKPOLn=1	H: CKPOLn=1 L: CKPOLn=0	I, Z	I, Z	Z

Note: "Z" floating, "H" output high, "L" output low, "I" Input, "O" output level, "I,Z" input floating (no pull-high)

SPI Interface Pin Status

The SIMnDR register is used to store the data being transmitted and received. The same register is used by both the SPI and I²C functions. Before the microcontroller writes data to the SPI bus, the actual data to be transmitted must be placed in the SIMnDR register. After the data is received from the SPI bus, the microcontroller can read it from the SIMnDR register. Any transmission or reception of data from the SPI bus must be made via the SIMnDR register.

Bit	7	6	5	4	3	2	1	0
Label	SnD7	SnD6	SnD5	SnD4	SnD3	SnD2	SnD1	SnD0
R/W	R/W	R/W	R/W	R/W	R/W	R/W	R/W	R/W
POR	X	X	X	X	X	X	X	X

There are also two control registers for the SPI interface, SIMnCTL0 and SIMnCTL2. Note that the SIMnCTL2 register also has the name SIMnAR which is used by the I²C function. The SIMnCTL1 register is not used by the SPI function, only by the I²C function. Register SIMnCTL0 is used to control the enable/disable function and to set the data transmission clock frequency. Although not connected with the SPI function, the SIMnCTL0 register is also used to control the Peripheral Clock prescaler. Register SIMnCTL2 is used for other control functions such as LSB/MSB selection, write collision flag etc.

The following gives further explanation of each SIMnCTL1 register bit:

- SIMIDLE

The SIMIDLE bit is used to select if the master SPI interface continues running when the device is in the IDLE mode. Setting the bit high allows the clock source of the master SPI interface or the Peripheral clock PCLK, which is selected to come from the divided system clock, to keep active when the device is in the IDLE mode. This will maintain the master SPI interface operation or the Peripheral clock PCLK output active if the PCKEN bit is set to 1 in IDLE mode. Clearing the bit to zero disables any master SPI interface operations or PCLK output in the IDLE mode. This SPI/I²C idle mode control bit SIMIDLE is located at CLKMOD register bit4.

- SIMnEN

The bit is the overall on/off control for the SPI interface. When the SIMnEN bit is cleared to zero to disable the SPI interface, the SDIn, SDOn, SCKn and SCSn lines will be in a floating condition and the SPI operating current will be reduced to a minimum value. When the bit is high the SPI interface is enabled. The SIMn configuration option must have first enabled the SIMn interface for this bit to be effective. Note that when the SIMnEN bit changes from low to high the contents of the SPI control registers will be in an unknown condition and should therefore be first initialised by the application program.

- SIMn0~SIMn2

These bits setup the overall operating mode of the SIMn function. As well as selecting if the I²C or SPI function, they are used to control the SPI Master/Slave selection and the SPI Master clock frequency. The SPI clock is a function of the system clock but can also be chosen to be sourced from the Timer/Event Counter 0. If the SPI Slave Mode is selected then the clock will be supplied by an external Master device.

SIMn_0	SIMn_1	SIMn_2	SPI Master/Slave Clock Control and I ² C Enable
0	0	0	SPI Master, f _{sys} /4
0	0	1	SPI Master, f _{sys} /16
0	1	0	SPI Master, f _{sys} /64
0	1	1	SPI Master, f _{sub}
1	0	0	SPI Master Timer/Event Counter 0 overflow/2
1	0	1	SPI Slave
1	1	0	I ² C mode
1	1	1	Not used

SPI Control Register – SIMnCTL2

The SIMnCTL2 register is also used by the I²C interface but has the name SIMnAR.

- TRFn

The TRFn bit is the Transmit/Receive Complete flag and is set high automatically when an SPI data transmission is completed, but must be cleared by the application program. It can be used to generate an interrupt.

- WCOLn

The WCOLn bit is used to detect if a data collision has occurred. If this bit is high it means that data has been attempted to be written to the SIMnDR register during a data transfer operation. This writing operation will be ignored if data is being transferred. The bit can be cleared by the application program. Note that using the WCOLn bit can be disabled or enabled via configuration option.

- CSENn

The CSENn bit is used as an on/off control for the $\overline{\text{SCSn}}$ pin. If this bit is low then the $\overline{\text{SCSn}}$ pin will be disabled and placed into a floating condition. If the bit is high the SCSnB pin will be enabled and used as a select pin. Note that using the CSENn bit can be disabled or enabled via configuration option.

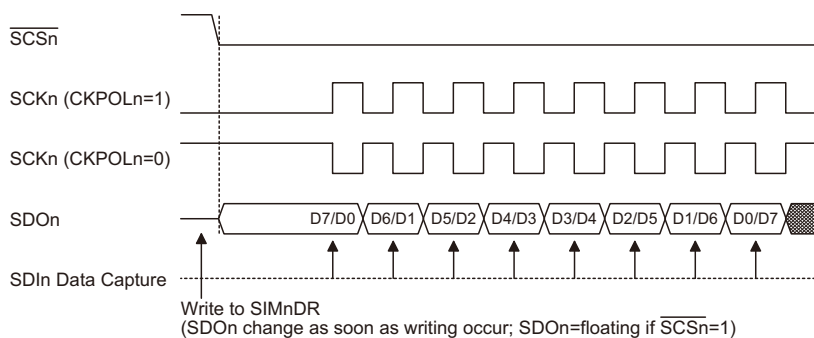
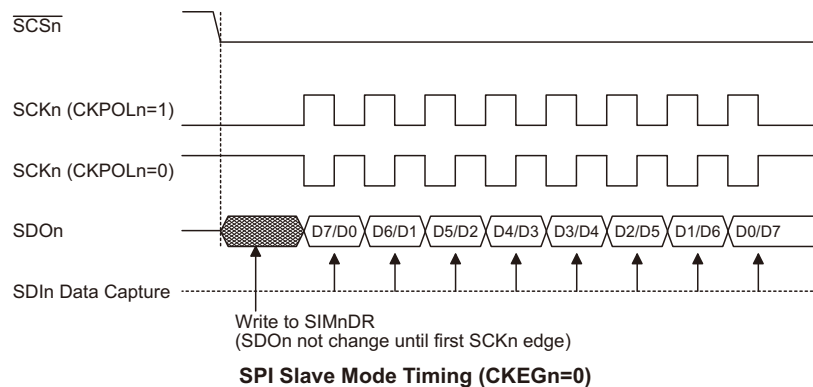
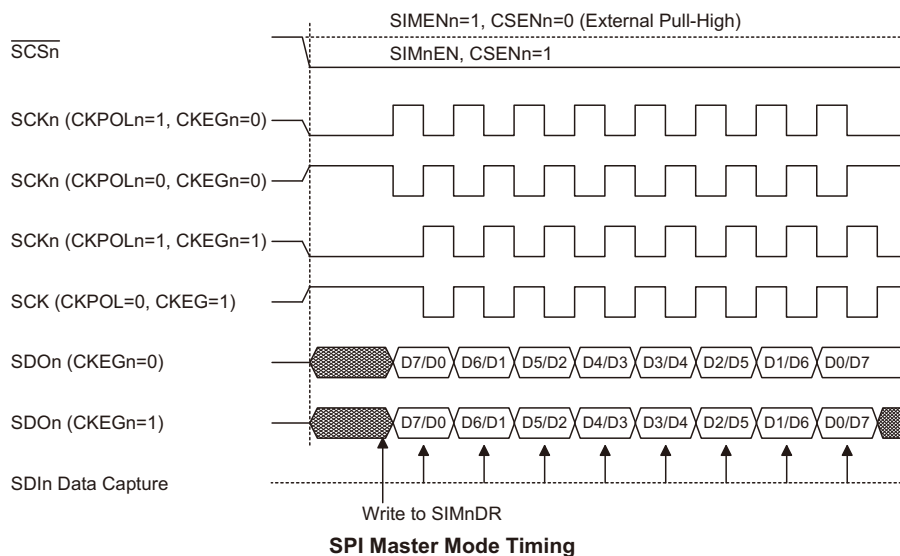
- MLS

This is the data shift select bit and is used to select how the data is transferred, either MSB or LSB first. Setting the bit high will select MSB first and low for LSB first.

- CKEGn and CKPOLn

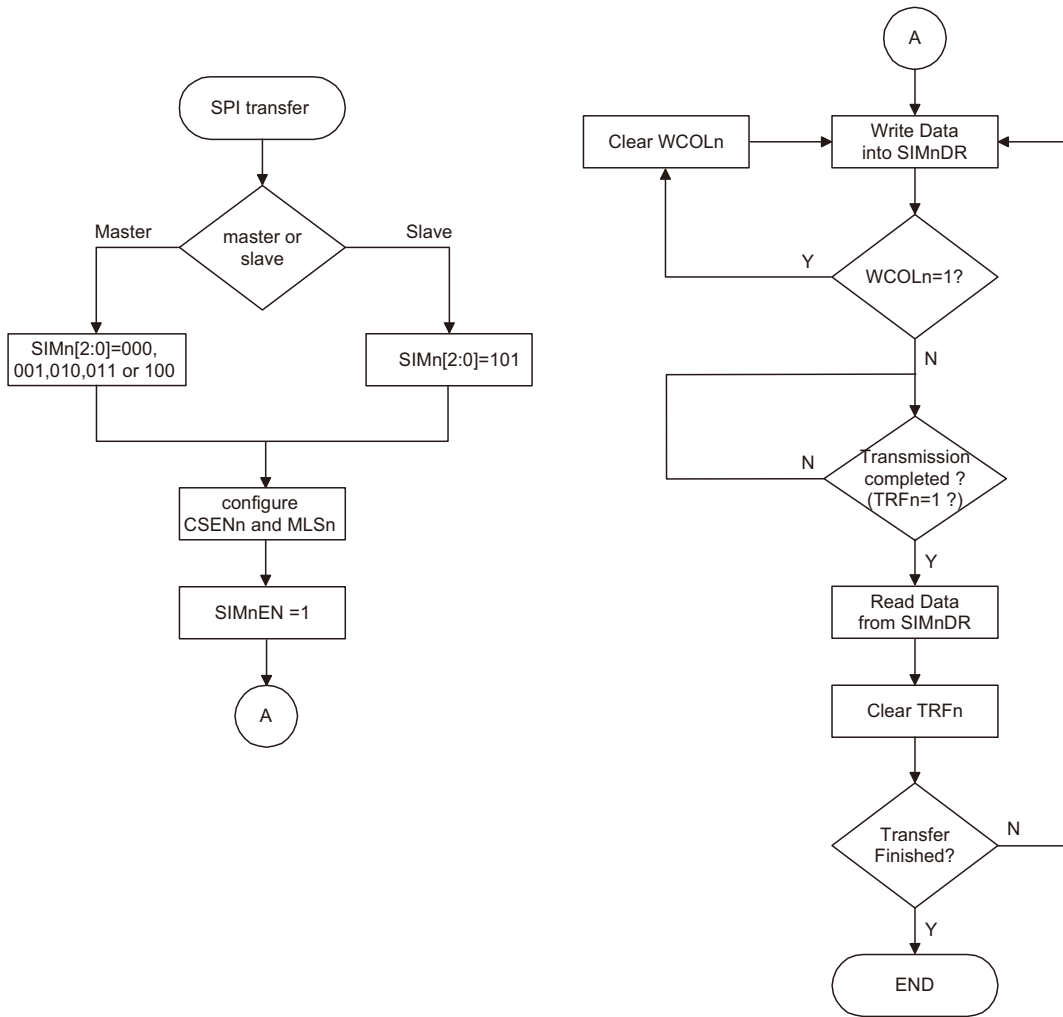
These two bits are used to setup the way that the clock signal outputs and inputs data on the SPI bus. These two bits must be configured before data transfer is executed otherwise an erroneous clock edge may be generated. The CKPOLn bit determines the base condition of the clock line, if the bit is high then the SCKn line will be low when the clock is inactive. When the CKPOLn bit is low then the SCKn line will be high when the clock is inactive. The CKEGn bit determines active clock edge type which depends upon the condition of CKPOLn.

CKPOLn	CKEGn	SCKn Clock Signal
0	0	High Base Level Active Rising Edge
0	1	High Base Level Active Falling Edge
1	0	Low Base Level Active Falling Edge
1	1	Low Base Level Active Rising Edge



Note: For SPI slave mode, if SIMnEN=1 and CSEN=0, SPI is always enabled and ignore the \overline{SCSn} level.

SPI Slave Mode Timing (CKEGn=1)



SPI Transfer Control Flowchart

SPI Communication

After the SPI interface is enabled by setting the SIMnEN bit high, then in the Master Mode, when data is written to the SIMnDR register, transmission/reception will begin simultaneously. When the data transfer is complete, the TRFn flag will be set automatically, but must be cleared using the application program. In the Slave Mode, when the clock signal from the master has been received, any data in the SIMnDR register will be transmitted and any data on the SDIn pin will be shifted into the SIMnDR register. The master should output a SCSn signal to enable the slave device before a clock signal is provided and slave data transfers should be enabled/disabled before/after an SCSn signal is received.

The SPI will continue to function even after a HALT instruction has been executed.

I²C Interface

The I²C interface is used to communicate with external peripheral devices such as sensors, EEPROM memory etc. Originally developed by Philips, it is a two line low speed serial interface for synchronous serial data transfer. The advantage of only two lines for communication, relatively simple communication protocol and the ability to accommodate multiple devices on the same bus has made it an extremely popular interface type for many applications.

I²C Interface Operation

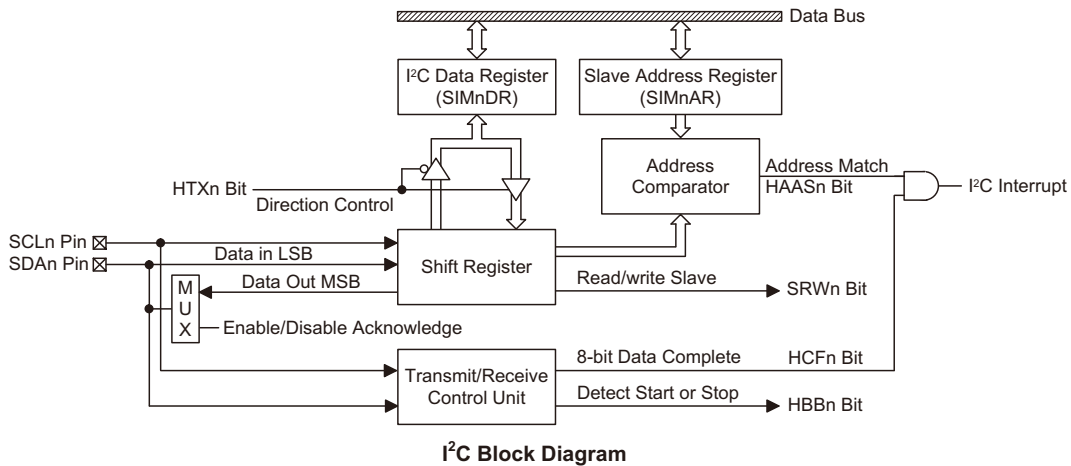
The I²C serial interface is a two line interface, a serial data line, SDA, and serial clock line, SCL. As many devices may be connected together on the same bus, their outputs are both open drain types. For this reason it is necessary that external pull-high resistors are connected to these outputs. Note that no chip select line exists, as each device on the I²C bus is identified by a unique address which will be transmitted and received on the I²C bus.

When two devices communicate with each other on the bidirectional I²C bus, one is known as the master device and one as the slave device. Both master and slave can transmit and receive data, however, it is the master device that has overall control of the bus. For these devices, which only operates in slave mode, there are two methods of transferring data on the I²C bus, the slave transmit mode and the slave receive mode.

There are several configuration options associated with the I²C interface. One of these is to enable the function which selects the SIMn pins rather than normal I/O pins. Note that if the configuration option does not select the SIMn function then the SIMnEN bit in the SIMnCTL0 register will have no effect. A configuration option exists to allow a clock other than the system clock to drive the I²C interface. Another configuration option determines the debounce time of the I²C interface. This uses the internal clock to in effect add a debounce time to the external clock to reduce the possibility of glitches on the clock line causing erroneous operation. The debounce time, if selected, can be chosen to be either 1 or 2 system clocks.

Configuration Option	Function
SIMn function	SIMn interface or I/O pins
I ² C debounce	No debounce, 1 system clock; 2 system clocks

I²C Interface Configuration Options



I²C Registers

There are three control registers associated with the I²C bus, SIMnCTL0, SIMnCTL1 and SIMnAR and one data register, SIMnDR. The SIMnDR register, which is shown in the above SPI section, is used to store the data being transmitted and received on the I²C bus. Before the microcontroller writes data to the I²C bus, the actual data to be transmitted must be placed in the SIMnDR register. After the data is received from the I²C bus, the microcontroller can read it from the SIMnDR register. Any transmission or reception of data from the I²C bus must be made via the SIMnDR register. Note that the SIMnAR register also has the name SIMnCTL2 which is used by the SPI function. Bits SIMIDLE, SIMnEN and bits SIMn_0~SIMn_2 in register SIMnCTL0 are used by the I²C interface. The SIMnCTL0 register is shown in the above SPI section.

- **SIMIDLE**
 When the device is in the IDLE mode, the SIMIDLE bit has no effect if the I²C interface is selected to be used. Setting the bit high only allows the clock source of the Peripheral clock PCLK, which is selected to come from the divided system clock, to keep active when the device is in the IDLE mode. It will maintain the Peripheral clock PCLK output active if the PCKEN bit is set to 1 in IDLE mode. Clearing the bit to zero disables the PCLK output when the device is in the IDLE mode. This SPI/I²C IDLE mode control bit SIMIDLE is located at CLKMOD register bit4.
- **SIMnEN**
 The SIMnEN bit is the overall on/off control for the I²C interface. When the SIMnEN bit is cleared to zero to disable the I²C interface, the SDAn and SCLn lines will be in a floating condition and the I²C operating current will be reduced to a minimum value. In this condition the pins can be used as normal I/O functions. When the bit is high the I²C interface is enabled. The SIMn configuration option must have first enabled the SIMn interface for this bit to be effective. Note that when the SIMnEN bit changes from low to high the contents of the I²C control registers will be in an unknown condition and should therefore be first initialised by the application program.
- **SIMn_0~SIMn_2**
 These bits setup the overall operating mode of the SIMn function. To select the I²C function, bits SIMn_2~SIMn_0 should be set to the value 110.

- **RXAK_n**
The RXAK_n flag is the reception acknowledge flag. When the RXAK_n bit has been reset to zero, it means that a correct acknowledge signal has been received at the 9th clock, after 8 bits of data have been transmitted. When in the transmit mode, the transmitter checks the RXAK_n bit to determine if the receiver wishes to receive the next byte. The transmitter will therefore continue sending out data until the RXAK_n bit is set high. When this occurs, the transmitter will release the SDAn line to allow the master to send a STOP signal to release the bus.
- **SRW_n**
The SRW_n bit is the Slave Read/Write bit. This bit determines whether the master device wishes to transmit or receive data from the I²C bus. When the transmitted address and slave address match, which is when the HAAS_n bit is set high, the device will check the SRW_n bit to determine whether it should be in transmit mode or receive mode. If the SRW_n bit is high, the master is requesting to read data from the bus, so the device should be in transmit mode. When the SRW_n bit is zero, the master will write data to the bus, therefore the device should be in receive mode to read this data.
- **TXAK_n**
The TXAK_n flag is the transmission acknowledge flag. After the receipt of 8-bits of data, this bit will be transmitted to the bus on the 9th clock. To continue receiving more data, this bit has to be reset to zero before further data is received.
- **HTX_n**
The HTX_n flag is the transmit/receive mode bit. This flag should be set high to set the transmit mode and low for the receive mode.
- **HBB_n**
The HBB_n flag is the I²C busy flag. This flag will be high when the I²C bus is busy which will occur when a START signal is detected. The flag will be reset to zero when the bus is free which will occur when a STOP signal is detected.
- **HAAS_n**
The HAAS_n flag is the address match flag. This flag is used to determine if the slave device address is the same as the master transmit address. If the addresses match then this bit will be high, if there is no match then the flag will be low.
- **HCF_n**
The HCF_n flag is the data transfer flag. This flag will be zero when data is being transferred. Upon completion of an 8-bit data transfer the flag will go high and an interrupt will be generated.

I²C Control Register – SIMAR

The SIMnAR register is also used by the SPI interface but has the name SIMnCTL2. The SIMnAR register is the location where the 7-bit slave address of the microcontroller is stored. Bits 1~7 of the SIMnAR register define the microcontroller slave address. Bit 0 is not defined. When a master device, which is connected to the I²C bus, sends out an address, which matches the slave address in the SIMnAR register, the microcontroller slave device will be selected. Note that the SIMnAR register is the same register as SIMnCTL2 which is used by the SPI interface.

I²C Bus Communication

Communication on the I²C bus requires four separate steps, a START signal, a slave device address transmission, a data transmission and finally a STOP signal. When a START signal is placed on the I²C bus, all devices on the bus will receive this signal and be notified of the imminent arrival of data on the bus. The first seven bits of the data will be the slave address with the first bit being the MSB. If the address of the microcontroller matches that of the transmitted address, the HAASn bit in the SIMnCTL1 register will be set and an I²C interrupt will be generated. After entering the interrupt service routine, the microcontroller slave device must first check the condition of the HAASn bit to determine whether the interrupt source originates from an address match or from the completion of an 8-bit data transfer. During a data transfer, note that after the 7-bit slave address has been transmitted, the following bit, which is the 8th bit, is the read/write bit whose value will be placed in the SRWn bit. This bit will be checked by the microcontroller to determine whether to go into transmit or receive mode. Before any transfer of data to or from the I²C bus, the microcontroller must initialise the bus. The following are steps to achieve this:

Step 1

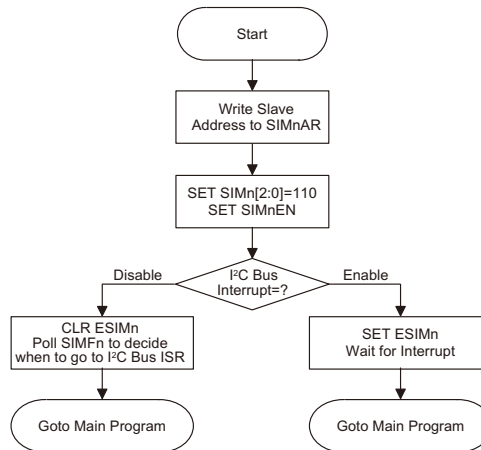
Write the slave address of the microcontroller to the I²C bus address register SIMnAR.

Step 2

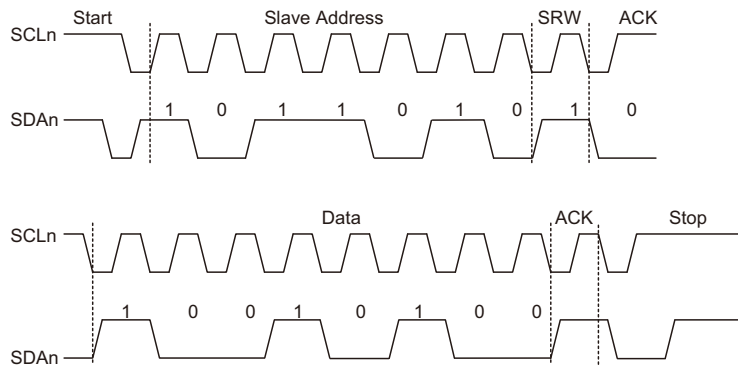
Set the SIMnEN bit in the SIMnCTL0 register to "1" to enable the I²C bus.

Step 3

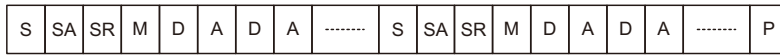
Set the ESIMn bit of the interrupt control register to enable the I²C bus interrupt.



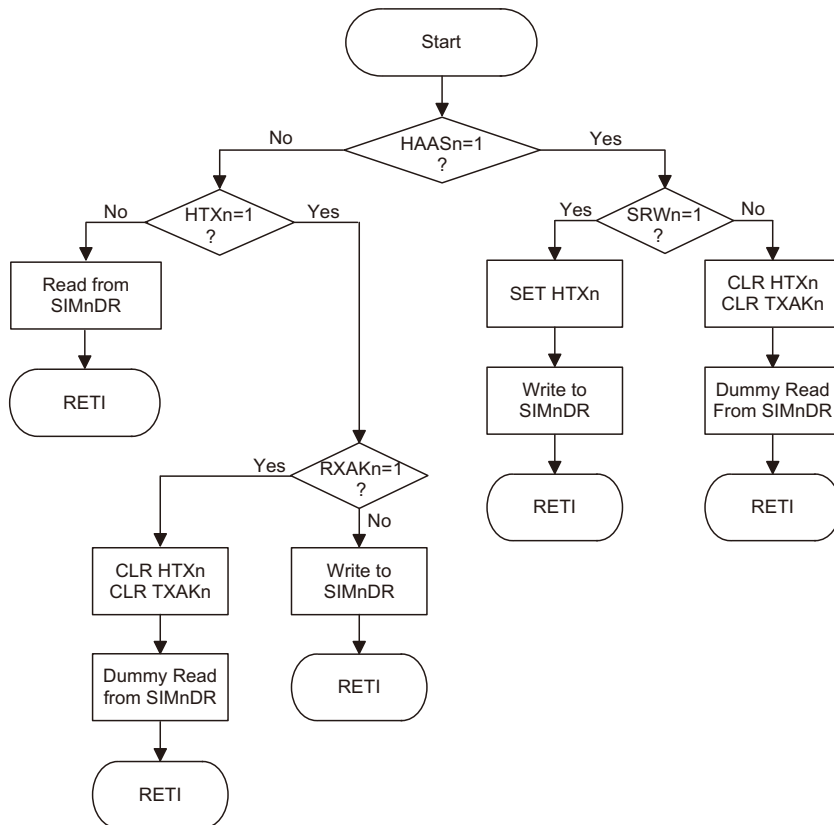
I²C Bus Initialisation Flow Chart



S=Start (1 bit)
 SA=Slave Address (7 bits)
 SR=SRW bit (1 bit)
 M=Slave device send acknowledge bit (1 bit)
 D=Data (8 bits)
 A=ACK (RXAK bit for transmitter, TXAK bit for receiver 1 bit)
 P=Stop (1 bit)



I²C Communication Timing Diagram



I²C Bus ISR Flow Chart

- Start Signal

The START signal can only be generated by the master device connected to the I²C bus and not by the microcontroller, which is only a slave device. This START signal will be detected by all devices connected to the I²C bus. When detected, this indicates that the I²C bus is busy and therefore the HBBn bit will be set. A START condition occurs when a high to low transition on the SDAn line takes place when the SCLn line remains high.

- Slave Address

The transmission of a START signal by the master will be detected by all devices on the I²C bus. To determine which slave device the master wishes to communicate with, the address of the slave device will be sent out immediately following the START signal. All slave devices, after receiving this 7-bit address data, will compare it with their own 7-bit slave address. If the address sent out by the master matches the internal address of the microcontroller slave device, then an internal I²C bus interrupt signal will be generated. The next bit following the address, which is the 8th bit, defines the read/write status and will be saved to the SRWn bit of the SIMnCTL1 register. The device will then transmit an acknowledge bit, which is a low level, as the 9th bit.

The microcontroller slave device will also set the status flag HAASn when the addresses match. As an I²C bus interrupt can come from two sources, when the program enters the interrupt subroutine, the HAASn bit should be examined to see whether the interrupt source has come from a matching slave address or from the completion of a data byte transfer. When a slave address is matched, the device must be placed in either the transmit mode and then write data to the SIMnDR register, or in the receive mode where it must implement a dummy read from the SIMnDR register to release the SCLn line.

SIMnAR Register

Bit	7	6	5	4	3	2	1	0
Name	SnA6	SnA5	SnA4	SnA3	SnA2	SnA1	SnA0	—
R/W	R/W	R/W	R/W	R/W	R/W	R/W	R/W	—
POR	x	x	x	x	x	x	x	—

"x" means unknown.

Bit 7~1

SnA6~SnA0: I²C slave address

SnA6~SnA0 is the I²C slave address bit6~bit0.

The SIMnAR register is also used by the SPI interface but has the name SIMnCTL2. The SIMnAR register is the location where the 7-bit slave address of the slave device is stored.

Bit7~bit1 of the SIMnAR register define the device slave address. Bit 0 is not defined.

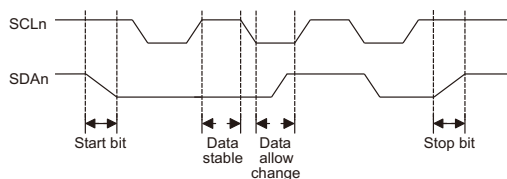
When a master device, which is connected to the I²C bus, sends out an address, which matches the slave address in the SIMnAR register, the slave device will be selected. Note that the SIMnAR register is the same register address as SIMnCTL2 which is used by the SPI interface.

Bit 0

Unimplemented bit.

This bit can be read or written by user software program.

- **SRW Bit**
The SRWn bit in the SIMnCTL1 register defines whether the microcontroller slave device wishes to read data from the I²C bus or write data to the I²C bus. The microcontroller should examine this bit to determine if it is to be a transmitter or a receiver. If the SRWn bit is set to "1" then this indicates that the master wishes to read data from the I²C bus, therefore the microcontroller slave device must be setup to send data to the I²C bus as a transmitter. If the SRWn bit is "0" then this indicates that the master wishes to send data to the I²C bus, therefore the microcontroller slave device must be setup to read data from the I²C bus as a receiver.
- **Acknowledge Bit**
After the master has transmitted a calling address, any slave device on the I²C bus, whose own internal address matches the calling address, must generate an acknowledge signal. This acknowledge signal will inform the master that a slave device has accepted its calling address. If no acknowledge signal is received by the master then a STOP signal must be transmitted by the master to end the communication. When the HAASn bit is high, the addresses have matched and the microcontroller slave device must check the SRWn bit to determine if it is to be a transmitter or a receiver. If the SRWn bit is high, the microcontroller slave device should be setup to be a transmitter so the HTXn bit in the SIMnCTL1 register should be set to "1" if the SRWn bit is low then the microcontroller slave device should be setup as a receiver and the HTXn bit in the SIMnCTL1 register should be set to "0".
- **Data Byte**
The transmitted data is 8-bits wide and is transmitted after the slave device has acknowledged receipt of its slave address. The order of serial bit transmission is the MSB first and the LSB last. After receipt of 8-bits of data, the receiver must transmit an acknowledge signal, level "0", before it can receive the next data byte. If the transmitter does not receive an acknowledge bit signal from the receiver, then it will release the SDA_n line and the master will send out a STOP signal to release control of the I²C bus. The corresponding data will be stored in the SIMnDR register. If setup as a transmitter, the microcontroller slave device must first write the data to be transmitted into the SIMnDR register. If setup as a receiver, the microcontroller slave device must read the transmitted data from the SIMnDR register.
- **Receive Acknowledge Bit**
When the receiver wishes to continue to receive the next data byte, it must generate an acknowledge bit, known as TXAKn, on the 9th clock. The microcontroller slave device, which is setup as a transmitter will check the RXAKn bit in the SIMnCTL1 register to determine if it is to send another data byte, if not then it will release the SDA_n line and await the receipt of a STOP signal from the master.



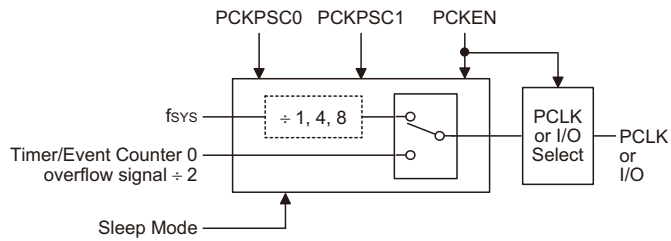
Data Timing Diagram

Peripheral Clock Output

The Peripheral Clock Output allows the device to supply external hardware with a clock signal synchronised to the microcontroller clock.

Peripheral Clock Operation

As the peripheral clock output pin, PCLK, is shared with an I/O line, the required pin function is chosen via PCKEN in the SIM0CTL0 register. The Peripheral Clock function is controlled using the SIM0CTL0 register. The clock source for the Peripheral Clock Output can originate from either the Timer/Event Counter 0 overflow signal divided by two or a divided ratio of the internal fSYS clock. The PCKEN bit in the SIM0CTL0 register is the overall on/off control, setting the bit high enables the Peripheral Clock, clearing it disables it. The required division ratio of the system clock is selected using the PCKPSC0 and PCKPSC1 bits in the same register. If the system enters the Sleep Mode, the Peripheral Clock output will be disabled.



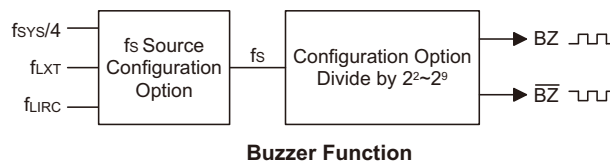
Peripheral Clock Block Diagram

Buzzer

Operating in a similar way to the Programmable Frequency Divider, the Buzzer function provides a means of producing a variable frequency output, suitable for applications such as Piezo-buzzer driving or other external circuits that require a precise frequency generator. The BZ and \overline{BZ} pins form a complementary pair, and are pin-shared with I/O pins, PA0 and PA1. A configuration option is used to select from one of three buzzer options. The first option is for both pins PA0 and PA1 to be used as normal I/Os, the second option is for both pins to be configured as BZ and \overline{BZ} buzzer pins, the third option selects only the PA0 pin to be used as a BZ buzzer pin with the PA1 pin retaining its normal I/O pin function. Note that the \overline{BZ} pin is the inverse of the BZ pin which together generate a differential output which can supply more power to connected interfaces such as buzzers.

The buzzer is driven by the internal clock source, which then passes through a divider, the division ratio of which is selected by configuration options to provide a range of buzzer frequencies from $f_s/2^2$ to $f_s/2^9$. The clock source that generates f_s , which in turn controls the buzzer frequency, can originate from three different sources, the external 32.768kHz oscillator (LXT), the internal 32kHz RC oscillator (LIRC) or the System oscillator divided by 4 ($f_{sys}/4$), the choice of which is determined by the f_s clock source configuration option. Note that the buzzer frequency is controlled by configuration options, which select both the source clock for the internal clock f_s and the internal division ratio. There are no internal registers associated with the buzzer frequency.

If the configuration options have selected both pins PA0 and PA1 to function as a BZ and \overline{BZ} complementary pair of buzzer outputs, then for correct buzzer operation it is essential that both pins must be setup as outputs by setting bits PAC0 and PAC1 of the PAC port control register to zero. The PA0 data bit in the PA data register must also be set high to enable the buzzer outputs, if set low, both pins PA0 and PA1 will remain low. In this way the single bit PA0 of the PA register can be used as an on/off control for both the BZ and \overline{BZ} buzzer pin outputs. Note that the PA1 data bit in the PA register has no control over the \overline{BZ} buzzer pin PA1.



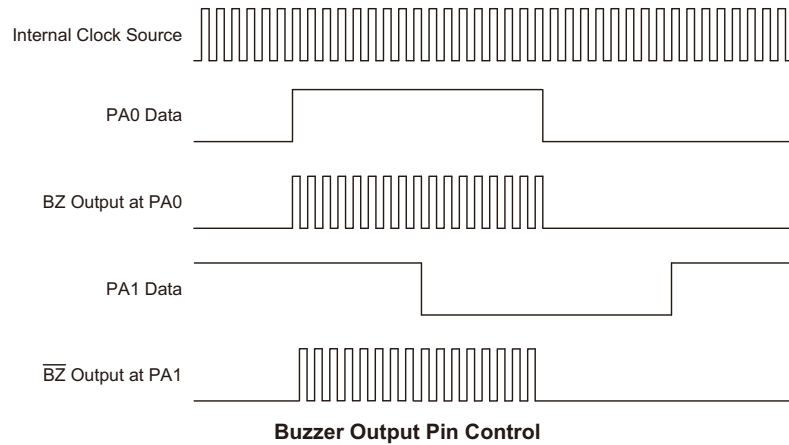
PA0/PA1 Pin Function Control

PAC Register PAC0	PAC Register PAC1	PA Data Register PA0	PA Data Register PA1	Output Function
0	0	1	x	PA0=BZ PA1= \overline{BZ}
0	0	0	x	PA0="0" PA1="0"
0	1	1	x	PA0=BZ PA1=input line
0	1	0	x	PA0="0" PA1=input line
1	0	x	D	PA0=input line PA1=D
1	1	x	x	PA0=input line PA1=input line

"x" stands for don't care

"D" stands for Data "0" or "1"

If configuration options have selected that only the PA0 pin is to function as a BZ buzzer pin, then the PA1 pin can be used as a normal I/O pin. For the PA0 pin to function as a BZ buzzer pin, PA0 must be setup as an output by setting bit PAC0 of the PAC port control register to zero. The PA0 data bit in the PA data register must also be set high to enable the buzzer output, if set low pin PA0 will remain low. In this way the PA0 bit can be used as an on/off control for the BZ buzzer pin PA0. If the PAC0 bit of the PAC port control register is set high, then pin PA0 can still be used as an input even though the configuration option has configured it as a BZ buzzer output.

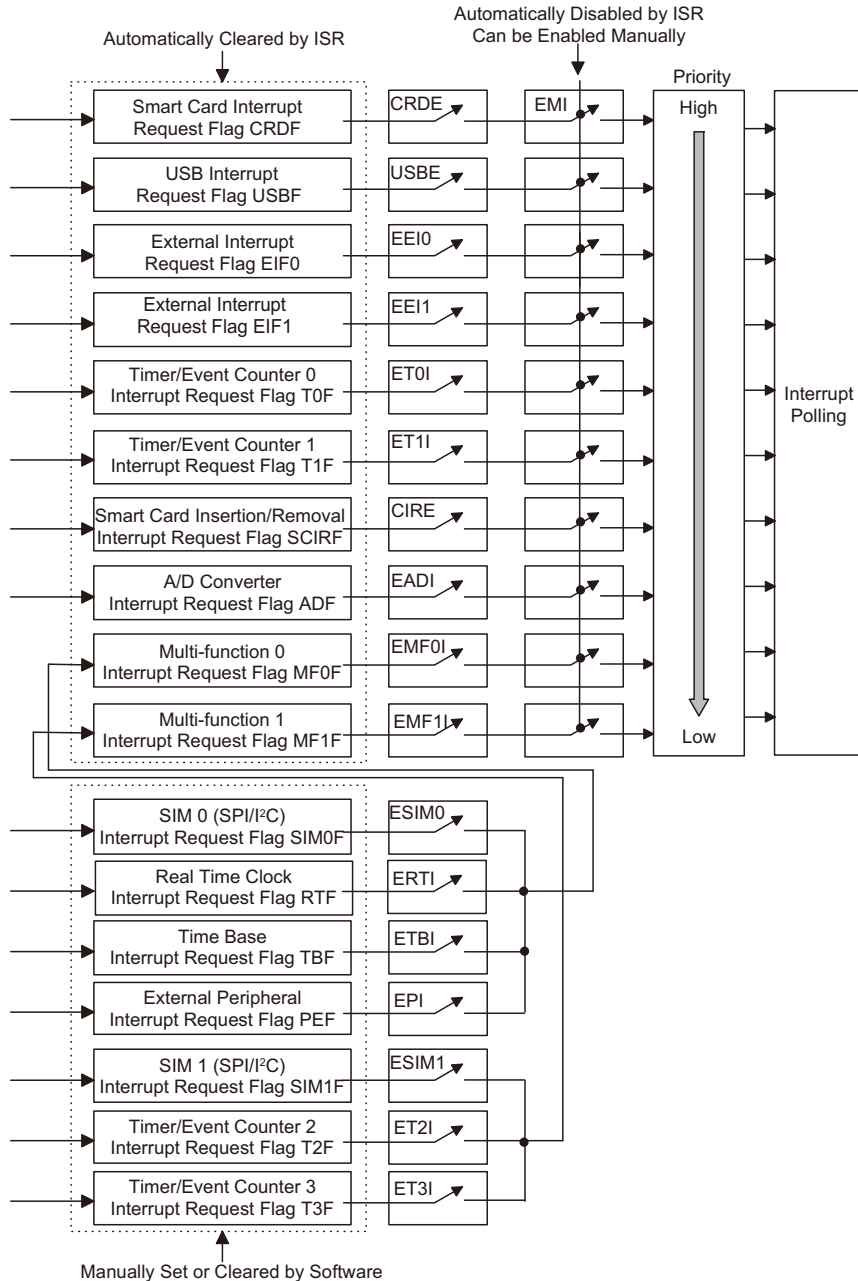


Note: The above drawing shows the situation where both pins PA0 and PA1 are selected by configuration option to be BZ and $\overline{\text{BZ}}$ buzzer pin outputs. The Port Control Register of both pins must have already been setup as output. The data setup on pin PA1 has no effect on the buzzer outputs.

Note that no matter what configuration option is chosen for the buzzer, if the port control register has setup the pin to function as an input, then this will override the configuration option selection and force the pin to always behave as an input pin. This arrangement enables the pin to be used as both a buzzer pin and as an input pin, so regardless of the configuration option chosen; the actual function of the pin can be changed dynamically by the application program by programming the appropriate port control register bit.

Interrupts

Interrupts are an important part of any microcontroller system. When an external event or an internal function such as a Timer/Event Counter or an A/D converter requires microcontroller attention, their corresponding interrupt will enforce a temporary suspension of the main program allowing the microcontroller to direct attention to their respective needs. The device contains several external interrupts and internal interrupts functions. The external interrupts are controlled by the action of the external INT0, INT1 and $\overline{\text{PINT}}$ pins, while the internal interrupts are controlled by the Timer/Event Counter overflows, the Time Base interrupt, the RTC interrupt, the SIM (SPI/I²C) interrupt, the A/D converter interrupt, the USB interrupt and Smart Card interrupt.



Interrupt Structure

Interrupt Registers

Overall interrupt control, which means interrupt enabling and request flag setting, is controlled by the INTC0, INTC1, INTC2, MFIC0 and MFIC1 registers, which are located in the Data Memory. By controlling the appropriate enable bits in these registers each individual interrupt can be enabled or disabled. Also when an interrupt occurs, the corresponding request flag will be set by the microcontroller. The global enable flag if cleared to zero will disable all interrupts.

INTC0 Register

Bit	7	6	5	4	3	2	1	0
Name	—	EIF0	USBF	CRDF	EEI0	USBE	CRDE	EMI
R/W	—	R/W	R/W	R/W	R/W	R/W	R/W	R/W
POR	—	0	0	0	0	0	0	0

- Bit 7 unimplemented, read as "0"
- Bit 6 **EIF0**: External interrupt 0 interrupt request flag
0: inactive
1: active
- Bit 5 **USBF**: USB interrupt request flag
0: inactive
1: active
- Bit 4 **CRDF**: Smart Card interrupt request flag
0: inactive
1: active
- Bit 3 **EEI0**: External interrupt 0 enable
0: disable
1: enable
- Bit 2 **USBE**: USB interrupt enable
0: disable
1: enable
- Bit 1 **CRDE**: Smart Card interrupt enable
0: disable
1: enable
- Bit 0 **EMI**: Master interrupt global enable
0: disable
1: enable

INTC1 Register

Bit	7	6	5	4	3	2	1	0
Name	SCIRF	T1F	T0F	EIF1	CIRE	ET1I	ET0I	EEI1
R/W	R/W	R/W	R/W	R/W	R/W	R/W	R/W	R/W
POR	0	0	0	0	0	0	0	0

Bit 7 **SCIRF**: Smart Card Insertion/Removal interrupt request flag

0: inactive

1: active

This bit is triggered by the CIRF bit of SCR register.

Bit 6 **T1F**: Timer/Event Counter 1 interrupt request flag

0: inactive

1: active

Bit 5 **T0F**: Timer/Event Counter 0 interrupt request flag

0: inactive

1: active

Bit 4 **EIF1**: External interrupt 1 request flag

0: inactive

1: active

Bit 3 **CIRE**: Smart Card Insertion/Removal interrupt enable

0: disable

1: enable

Bit 2 **ET1I**: Timer/Event Counter 1 interrupt enable

0: disable

1: enable

Bit 1 **ET0I**: Timer/Event Counter 0 interrupt enable

0: disable

1: enable

Bit 0 **EEI1**: External interrupt 1 interrupt enable

0: disable

1: enable

INTC2 Register

Bit	7	6	5	4	3	2	1	0
Name	—	MF1F	MF0F	ADF	—	EMF1I	EMF0I	EADI
R/W	—	R/W	R/W	R/W	—	R/W	R/W	R/W
POR	—	0	0	0	—	0	0	0

Bit 7 unimplemented, read as "0"

Bit 6 **MF1F**: Multi-Function 1 interrupt request flag

0: inactive

1: active

Bit 5 **MF0F**: Multi-function 0 interrupt request flag

0: inactive

1: active

Bit 4 **ADF**: A/D Converter interrupt request flag

0: inactive

1: active

Bit 3 unimplemented, read as "0"

Bit 2 **EMF1I**: Multi-Function 1 interrupt enable

0: disable

1: enable

Bit 1 **EMF0I**: Multi-Function 0 interrupt enable

0: disable

1: enable

Bit 0 **EADI**: A/D Converter interrupt enable

0: disable

1: enable

MFIC0 Register

Bit	7	6	5	4	3	2	1	0
Name	PEF	TBF	RTF	SIM0F	EPI	ETBI	ERTI	ESIM0
R/W	R/W	R/W	R/W	R/W	R/W	R/W	R/W	R/W
POR	0	0	0	0	0	0	0	0

- Bit 7 **PEF**: External Peripheral interrupt request flag
0: inactive
1: active
- Bit 6 **TBF**: Time Base interrupt request flag
0: inactive
1: active
- Bit 5 **RTF**: Real Time Clock interrupt request flag
0: inactive
1: active
- Bit 4 **SIM0F**: SIM 0 (SPI/I²C) interrupt request flag
0: inactive
1: active
- Bit 3 **EPI**: External Peripheral interrupt enable
0: disable
1: enable
- Bit 2 **ETBI**: Time Base interrupt enable
0: disable
1: enable
- Bit 1 **ERTI**: Real Time Clock interrupt enable
0: disable
1: enable
- Bit 0 **ESIM0**: SIM 0 (SPI/I²C) interrupt enable
0: disable
1: enable

MFIC1 Register

Bit	7	6	5	4	3	2	1	0
Name	—	T3F	T2F	SIM1F	—	ET3I	ET2I	ESIM1
R/W	—	R/W	R/W	R/W	—	R/W	R/W	R/W
POR	—	0	0	0	—	0	0	0

- Bit 7 unimplemented, read as "0"
- Bit 6 **T3F**: Timer/Event Counter 3 interrupt request flag
0: inactive
1: active
- Bit 5 **T2F**: Timer/Event Counter 2 interrupt request flag
0: inactive
1: active
- Bit 4 **SIM1F**: SIM 1 (SPI/I²C) interrupt request flag
0: inactive
1: active
- Bit 3 unimplemented, read as "0"
- Bit 2 **ET3I**: Timer/Event Counter 3 interrupt enable
0: disable
1: enable
- Bit 1 **ET2I**: Timer/Event Counter 2 interrupt enable
0: disable
1: enable
- Bit 0 **ESIM1**: SIM 1 (SPI/I²C) interrupt enable
0: disable
1: enable

Interrupt Operation

A Timer/Event Counter overflow, Time Base, RTC overflow, SPI/I2C data transfer complete, an end of A/D conversion, USB event, Smart Card event, Smart Card insertion/removal or the external interrupt line being triggered will all generate an interrupt request by setting their corresponding request flag. When this happens and if their appropriate interrupt enable bit is set, the Program Counter, which stores the address of the next instruction to be executed, will be transferred onto the stack. The Program Counter will then be loaded with a new address which will be the value of the corresponding interrupt vector. The microcontroller will then fetch its next instruction from this interrupt vector. The instruction at this vector will usually be a JMP statement which will jump to another section of program which is known as the interrupt service routine. Here is located the code to control the appropriate interrupt. The interrupt service routine must be terminated with a RETI statement, which retrieves the original Program Counter address from the stack and allows the microcontroller to continue with normal execution at the point where the interrupt occurred.

The various interrupt enable bits, together with their associated request flags, are shown in the accompanying diagram with their order of priority.

Once an interrupt subroutine is serviced, all the other interrupts will be blocked, as the EMI bit will be cleared automatically. This will prevent any further interrupt nesting from occurring. However, if other interrupt requests occur during this interval, although the interrupt will not be immediately serviced, the request flag will still be recorded. If an interrupt requires immediate servicing while the program is already in another interrupt service routine, the EMI bit should be set after entering the routine, to allow interrupt nesting. If the stack is full, the interrupt request will not be acknowledged, even if the related interrupt is enabled, until the Stack Pointer is decremented. If immediate service is desired, the stack must be prevented from becoming full.

Interrupt Priority

Interrupts, occurring in the interval between the rising edges of two consecutive T2 pulses, will be serviced on the latter of the two T2 pulses, if the corresponding interrupts are enabled. In case of simultaneous requests, the following table shows the priority that is applied.

Interrupt Source	Priority	Vector
Smart Card Interrupt	1	04H
USB Interrupt	2	08H
External Interrupt 0	3	0CH
External Interrupt 1	4	10H
Timer/Event Counter 0 Overflow	5	14H
Timer/Event Counter 1 Overflow	6	18H
Smart Card Insertion/Removal Interrupt	7	1CH
A/D Converter Interrupt	8	20H
Multi-function 0 Interrupt	9	24H
Multi-function 1 Interrupt	10	28H

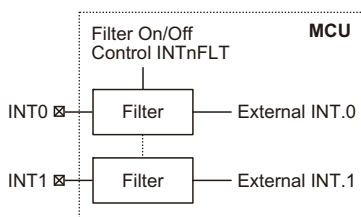
The SIM0 interrupt, Real Time clock interrupt, Time Base interrupt and External Peripheral interrupt share the same interrupt vector which is 24H while the SIM1 interrupt, Timer/Event Counter 2 overflow and Timer/Event Counter 3 overflow interrupt share the same interrupt vector which is 28H. Each of these interrupts has their own individual interrupt flag but also share the same multi-function interrupt flag named MF0F or MF1F respectively. The MF0F or MF1F flag will be cleared by hardware once the corresponding Multi-function interrupt is serviced. However the individual interrupts that have triggered the Multi-function interrupt need to be cleared by the application program.

External Interrupt

For an external interrupt to occur, the global interrupt enable bit, EMI, and external interrupt enable bits, EEI0 and EEI1, must first be set. Additionally the correct interrupt edge type must be selected using the MISC0 register to enable the external interrupt function and to choose the trigger edge type. An actual external interrupt will take place when the external interrupt request flag, EIF0 or EIF1, is set, a situation that will occur when a transition, whose type is chosen by the edge select bit, appears on the INT0 or INT1 pin. The external interrupt pins are pin-shared with the I/O pins PA0 and PA1 and can only be configured as external interrupt pins if their corresponding external interrupt enable bit in the INTC0 or INTC1 register has been set. The pin must also be setup as an input by setting the corresponding PAC.0 and PAC.1 bits in the port control register. When the interrupt is enabled, the stack is not full and the correct transition type appears on the external interrupt pin, a subroutine call to the external interrupt vector at location 0CH or 10H, will take place. When the interrupt is serviced, the external interrupt request flags, EIF0 or EIF1, will be automatically reset and the EMI bit will be automatically cleared to disable other interrupts. Note that any pull-high resistor selections on this pin will remain valid even if the pin is used as an external interrupt input.

The MISC0 register is used to select the type of active edge that will trigger the external interrupt. A choice of either rising, falling or both rising and falling edge types can be chosen to trigger an external interrupt. Note that the MISC0 register can also be used to disable the external interrupt function.

The external interrupt pins are connected to an internal filter to reduce the possibility of unwanted external interrupts due to adverse noise or spikes on the external interrupt input signal. As this internal filter circuit will consume a limited amount of power, the software control bits named INT0FLT and INT1FLT respectively in the RCFLT register are provided to switch off the filter function, an option which may be beneficial in power sensitive applications, but in which the integrity of the input signal is high.



MISC0 Register

Bit	7	6	5	4	3	2	1	0
Name	CRDCKS1	CRDCKS0	SMF	SMCEN	INT1S1	INT1S0	INT0S1	INT0S0
R/W	R/W	R/W	R/W	R/W	R/W	R/W	R/W	R/W
POR	0	0	0	0	0	0	0	0

Bit 7~6 **CRDCKS1~CRDCKS0**: Smart Card interface clock source divided ratio selection
 Described in the table below

Bit 5 **SMF**: Smart Card clock output CCLK frequency f_{CCLK} selection
 Described in the table below

Bit 4 **SMCEN**: Smart Card interface clock control
 0: f_{CRD} is disabled
 1: f_{CRD} is enabled

This bit is used to control the Smart Card interface clock source. If this bit is cleared to disable the clock, the relevant registers in the Smart Card interface module can not be accessed but will keep the original contents. When the Smart Card interface clock is disabled, it has no effect on the Card insertion or removal detections.

- Bit 3~2 **INT1S1~INT1S0**: External Interrupt 1 active edge selection
 00: disabled
 01: rising edge trigger
 10: falling edge trigger
 11: both rising and falling edges trigger
- Bit 1~0 **INT0S1~INT0S0**: External Interrupt 0 active edge selection
 00: disabled
 01: rising edge trigger
 10: falling edge trigger
 11: both rising and falling edges trigger

SMF	CRDCKS1	CRDCKS0	f _{CCLK}
0	0	0	f _M /2
0	0	1	f _M /3
0	1	0	f _M /1
0	1	1	f _M /4
1	0	0	f _M /4
1	0	1	f _M /6
1	1	0	f _M /2
1	1	1	f _M /8

External Peripheral Interrupt

The External Peripheral Interrupt operates in a similar way to the external interrupt and is contained within the Multi-function 0 interrupt.

For an external peripheral interrupt to occur, the global interrupt enable bit, EMI, external peripheral interrupt enable bit, EPI, and Multi-function 0 interrupt enable bit, EMF0I, must first be set. An actual external peripheral interrupt will take place when the external interrupt request flag, PEF, is set, a situation that will occur when a negative transition, appears on the $\overline{\text{PINT}}$ pin. The external peripheral interrupt pin is pin-shared with one of the I/O pins, and is configured as a peripheral interrupt pin via the corresponding port control register bit. When the interrupt is enabled, the stack is not full and a negative transition type appears on the external peripheral interrupt pin, a subroutine call to the Multi-function interrupt vector at location 24H, will take place. When the external peripheral interrupt is serviced, the EMI bit will be cleared to disable other interrupts, however only the MF0F interrupt request flag will be reset. As the PEF flag will not be automatically reset, it has to be cleared by the application program.

Timer/Event Counter Interrupt

For a Timer/Event Counter 0 or Timer/Event Counter 1 interrupt to occur, the global interrupt enable bit, EMI, and the corresponding timer interrupt enable bit, ET0I or ET1I must first be set. An actual Timer/Event Counter interrupt will take place when the Timer/Event Counter request flag, T0F or T1F is set, a situation that will occur when the Timer/Event Counter overflows. When the interrupt is enabled, the stack is not full and a Timer/Event Counter overflow occurs, a subroutine call to the timer interrupt vector at location 14H or 18H, will take place. When the interrupt is serviced, the timer interrupt request flag, T0F or T1F, will be automatically reset and the EMI bit will be automatically cleared to disable other interrupts.

Timer Event Counter 0 and Timer/Event Counter 1 have their own individual interrupt vectors. However the interrupt vector for Timer/Event Counter 2 or Timer/Event counter 3 is contained within the Multi-function 1 Interrupt. For a Timer/Event Counter 2 or a Timer/Event counter 3 interrupt to occur, the global interrupt enable bit, EMI, Timer/Event Counter 2 or Timer/Event counter 3 interrupt enable bit, ET2I or ET3I, and Multi-function 1 interrupt enable bit, EMF1I, must first be set. An actual interrupt will take place when the Timer/Event Counter 2 or Timer/Event counter 3 request flag, T2F or T3F, is set, a situation that will occur when the Timer/Event Counter 2 or Timer/Event counter 3

overflows. When the interrupt is enabled, the stack is not full and the Timer/Event Counter 2 or Timer/Event counter 3 overflows, a subroutine call to the Multi-function interrupt vector at location 28H, will take place. When the Timer/Event 2 or Timer/Event counter 3 interrupt is serviced, the EMI bit will be cleared to disable other interrupts, however only the MFF interrupt request flag will be reset. As the T2F or T3F flag will not be automatically reset, it has to be cleared by the application program.

A/D Interrupt

The A/D Interrupt is contained within the Multi-function Interrupt.

For an A/D Interrupt to be generated, the global interrupt enable bit EMI and the A/D Interrupt enable bit EADI must first be set. An actual A/D Interrupt will take place when the A/D Interrupt request flag, ADF, is set, a situation that will occur when the A/D conversion process has finished. When the interrupt is enabled, the stack is not full and the A/D conversion process has ended, a subroutine call to the A/D interrupt vector at location 20H, will take place. When the A/D Interrupt is serviced, the A/D interrupt request flag ADF will be automatically reset and the EMI bit will be automatically cleared to disable other interrupts.

Smart Card Interrupt

For a Smart Card Interrupt to be generated, the global interrupt enable bit EMI must first be set as well as one of the associated Smart Card event Interrupt enable bits. The Smart Card events that will generate an interrupt include situations such as a Card voltage error, a Card current overload, a waiting timer overflow, a parity error, a transmit buffer empty or an end of transmission or reception. Once one of the associated Smart Card event interrupt enable control bits is set, it will automatically set the CRDE bit to 1 to enable the related Smart Card interrupt. An actual Smart Card Interrupt will take place when the Smart Card Interrupt request flag, CRDF, is set, a situation that will occur when a Smart Card event has occurred. When the interrupt is enabled, the stack is not full and a Smart Card event has occurred, a subroutine call to the Smart Card interrupt vector at location 04H, will take place. When the Smart Card Interrupt is serviced, the Smart Card interrupt request flag CRDF will be automatically reset and the EMI bit will be automatically cleared to disable other interrupts.

Smart Card Insertion/Removal Interrupt

For a Smart Card Insertion/Removal Interrupt to be generated, the global interrupt enable bit EMI and the Smart Card Insertion/Removal interrupt enable bit CIRE must first be set. An actual Smart Card Insertion/Removal Interrupt will take place when the Smart Card Insertion/Removal Interrupt request flag, SCIRF, is set, a situation that will occur when the Smart Card has been inserted or removed. When the interrupt is enabled, the stack is not full and the Smart Card has been inserted or removed, a subroutine call to the Smart Card Insertion/Removal Interrupt vector at location 1CH, will take place. When the Smart Card Insertion/Removal Interrupt is serviced, the Smart Card Insertion/Removal interrupt request flag SCIRF will be automatically reset and the EMI bit will be automatically cleared to disable other interrupts.

SIM (SPI/I²C Interface) Interrupts

The two SIM (SPI/I²C) interrupts named SIM0 interrupt and SIM1 interrupt are contained within the Multi-function 0 Interrupt and Multi-function 1 Interrupt respectively.

For an SIM (SPI/I²C interface) interrupt to occur, the global interrupt enable bit named EMI, the associated SIM interrupt enable control bit named ESIM0 or ESIM1 and the Multi-function interrupt enable bit named EMF0I or EMF1I must be first set. An actual SIM (SPI/I²C interface) interrupt will take place when the SIM (SPI/I²C interface) request flag, SIM0F or SIM1F, is set, a situation that will occur when a byte of data has been transmitted or received by the SPI/I²C interface or when an I²C address match occurs. When the interrupt is enabled, the stack is not full and a byte of data has been

transmitted or received by the SPI/I²C interface or an I²C address match occurs, a subroutine call to the SIM (SPI/I²C interface) interrupt vector at location 24H or 28H respectively, will take place. When SIM the interrupt is serviced, the EMI bit will be automatically cleared to disable other interrupts, however only the MF0F or MF1F interrupt request flag will be reset. As the SIM request flag known as SIM0F or SIM1F will not be automatically reset, it has to be cleared by the application program.

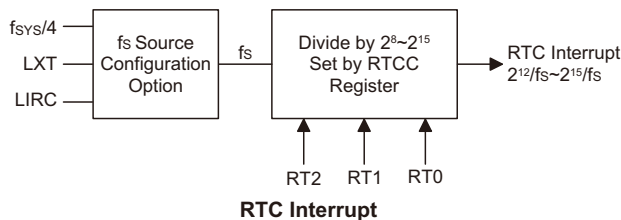
Multi-function Interrupt

Two additional interrupts known as the Multi-function 0 interrupt and Multi-function 1 interrupt are provided. Unlike the other interrupts, the interrupt has no independent source, but rather is formed from several other existing interrupt sources. The Multi-function 0 interrupt contains the SIM0 interrupt, Time Base interrupt, Real Time Clock interrupt, External Peripheral interrupt while the Multi-function 1 interrupt contains the SIM1 interrupt, Timer 2 overflow interrupt and Timer 3 overflow interrupt.

For a Multi-function interrupt to occur, the global interrupt enable bit, EMI, and the Multi-function interrupt enable bit, EMF0I or EMF1I, must first be set. An actual Multi-function interrupt will take place when the Multi-function interrupt request flag, MF0F or MF1F, is set. This will occur when either a Time Base overflow, a Real Time Clock overflow, SIM0 or SIM 1 interrupt, an External Peripheral Interrupt, Timer 2 overflow interrupt or Timer 3 overflow interrupt is generated. When the interrupt is enabled and the stack is not full, and either one of the interrupts contained within the Multi-function interrupts occurs, a subroutine call to the Multi-function interrupt vector at location 24H or 28H respectively will take place. When the interrupt is serviced, the Multi-Function request flag, MF0F or MF1F, will be automatically reset and the EMI bit will be automatically cleared to disable other interrupts. However, it must be noted that the request flags from the original source of the Multi-function interrupt, namely the Time-Base interrupt, Real Time Clock interrupt, SIM interrupts, External Peripheral interrupt, Timer 2 overflow interrupt or Timer 3 overflow interrupt will not be automatically reset and must be manually reset by the application program.

Real Time Clock Interrupt

The Real Time Clock Interrupt is contained within the Multi-function 0 Interrupt.



For a Real Time Clock interrupt to be generated, the global interrupt enable bit, EMI, Real Time Clock interrupt enable bit, ERTI, and Multi-function 0 interrupt enable bit, EMF0I, must first be set. An actual Real Time Clock interrupt will take place when the Real Time Clock request flag, RTF, is set, a situation that will occur when the Real Time Clock overflows. When the interrupt is enabled, the stack is not full and the Real Time Clock overflows, a subroutine call to the Multi-function 0 interrupt vector at location 24H, will take place. When the Real Time Clock interrupt is serviced, the EMI bit will be cleared to disable other interrupts, however only the MF0F interrupt request flag will be reset. As the RTF flag will not be automatically reset, it has to be cleared by the application program.

Similar in operation to the Time Base interrupt, the purpose of the RTC interrupt is also to provide an interrupt signal at fixed time periods. The RTC interrupt clock source originates from the internal clock source f_s . This f_s input clock first passes through a divider, the division ratio of which is selected by programming the appropriate bits in the RTCC register to obtain longer RTC interrupt periods whose

value ranges from $2^8/f_s \sim 2^{15}/f_s$. The clock source that generates f_s , which in turn controls the RTC interrupt period, can originate from three different sources, the 32.768kHz oscillator (LXT), the internal 32kHz RC oscillator (LIRC) or the System oscillator divided by 4 ($f_{sys}/4$), the choice of which is determined by the f_s clock source configuration option.

Note that the RTC interrupt period is controlled by both configuration options and an internal register RTCC. A configuration option selects the source clock for the internal clock f_s , and the RTCC register bits RT2, RT1 and RT0 select the division ratio. Note that the actual division ratio can be programmed from 2^8 to 2^{15} .

RTCC Register

Bit	7	6	5	4	3	2	1	0
Name	—	—	LVDO	QOSC	LVDC	RT2	RT1	RT0
R/W	—	—	R	R/W	R/W	R/W	R/W	R/W
POR	—	—	0	0	0	0	0	0

- Bit 7~6 unimplemented, read as "0"
- Bit 5 **LVDO**: Low Voltage Detector Output
 0: normal voltage
 1: low voltage detected
- Bit 4 **QOSC**: RTC Oscillator Quick-start enable control
 0: enable
 1: disable
- Bit 3 **LVDC**: Low Voltage Detector enable control
 0: disable
 1: enable
- Bit 2~0 **RT2~RT0**: RTC Interrupt Period selection
 000: $2^8/f_s$
 001: $2^9/f_s$
 010: $2^{10}/f_s$
 011: $2^{11}/f_s$
 100: $2^{12}/f_s$
 101: $2^{13}/f_s$
 110: $2^{14}/f_s$
 111: $2^{15}/f_s$

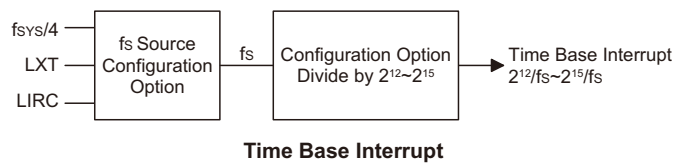
Time Base Interrupt

The Time Base Interrupt is contained within the Multi-function 0 Interrupt.

For a Time Base Interrupt to be generated, the global interrupt enable bit, Time Base Interrupt enable bit, ETBI, and Multi-function 0 interrupt enable bit, EMF0I, must first be set. An actual Time Base Interrupt will take place when the Time Base Interrupt request flag, TBF, is set, a situation that will occur when the Time Base overflows. When the interrupt is enabled, the stack is not full and the Time Base overflows, a subroutine call to the Multi-function 0 interrupt vector at location 24H, will take place. When the Time Base Interrupt is serviced, the EMI bit will be cleared to disable other interrupts, however only the MF0F interrupt request flag will be reset. As the TBF flag will not be automatically reset, it has to be cleared by the application program.

The purpose of the Time Base function is to provide an interrupt signal at fixed time periods. The Time Base interrupt clock source originates from the Time Base interrupt clock source originates from the internal clock source f_s . This f_s input clock first passes through a divider, the division ratio of which is selected by configuration options to provide longer Time Base interrupt periods. The Time Base interrupt time-out period ranges from $2^{12}/f_s \sim 2^{15}/f_s$. The clock source that generates f_s , which in turn controls the Time Base interrupt period, can originate from three different sources, the 32.768kHz oscillator (LXT), the internal 32kHz RC oscillator (LIRC) or the System oscillator divided by 4 ($f_{sys}/4$), the choice of which is determined by the f_s clock source configuration option.

Essentially operating as a programmable timer, when the Time Base overflows it will set a Time Base interrupt flag which will in turn generate an Interrupt request via the Multi-function 0 Interrupt vector.



Programming Considerations

By disabling the interrupt enable bits, a requested interrupt can be prevented from being serviced, however, once an interrupt request flag is set, it will remain in this condition in the INTC0, INTC1, INTC2, MFIC0 and MFIC1 registers until the corresponding interrupt is serviced or until the request flag is cleared by the application program.

Where a certain interrupt is contained within a Multi-function interrupt, then when the interrupt service routine is executed, as only the Multi-function interrupt request flags, will be automatically cleared, the individual request flag for the function needs to be cleared by the application program.

It is recommended that programs do not use the "CALL" instruction within the interrupt service subroutine. Interrupts often occur in an unpredictable manner or need to be serviced immediately. If only one stack is left and the interrupt is not well controlled, the original control sequence will be damaged once a CALL subroutine is executed in the interrupt subroutine.

Every interrupt has the capability of waking up the microcontroller when it is in SLEEP or IDLE Mode, the wake up being generated when the interrupt request flag changes from low to high. If it is required to prevent a certain interrupt from waking up the micro controller then its respective request flag should be first set high before entering the SLEEP or IDLE Mode.

As only the Program Counter is pushed onto the stack, then when the interrupt is serviced, if the contents of the accumulator, status register or other registers are altered by the interrupt service program, their contents should be saved to the memory at the beginning of the interrupt service routine. To return from an interrupt subroutine, either a "RET" or "RETI" instruction may be executed. The "RETI" instruction in addition to executing a return to the main program also automatically sets the EMI bit high to allow further interrupts. The "RET" instruction however only executes a return to the main program leaving the EMI bit in its present zero state and therefore disabling the execution of further interrupts.

Reset and Initialisation

A reset function is a fundamental part of any microcontroller ensuring that the device can be set to some predetermined condition irrespective of outside parameters. The most important reset condition is after power is first applied to the microcontroller. In this case, internal circuitry will ensure that the microcontroller, after a short delay, will be in a well defined state and ready to execute the first program instruction. After this power-on reset, certain important internal registers will be set to defined states before the program commences. One of these registers is the Program Counter, which will be reset to zero forcing the microcontroller to begin program execution from the lowest Program Memory address.

In addition to the power-on reset, situations may arise where it is necessary to forcefully apply a reset condition when the microcontroller is running. One example of this is where after power has been applied and the microcontroller is already running, the $\overline{\text{RES}}$ line is forcefully pulled low. In such a case, known as a normal operation reset, some of the microcontroller registers remain unchanged allowing the microcontroller to proceed with normal operation after the reset line is allowed to return high. Another type of reset is when the Watchdog Timer overflows and resets the microcontroller. All types of reset operations result in different register conditions being setup.

Another reset exists in the form of a Low Voltage Reset, LVR, where a full reset, similar to the $\overline{\text{RES}}$ reset is implemented in situations where the power supply voltage falls below a certain threshold.

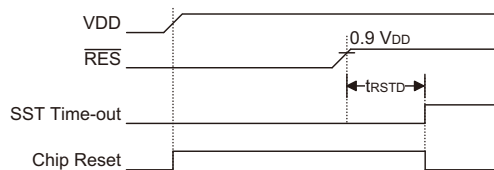
Reset Functions

There are five ways in which a microcontroller reset can occur, through events occurring both internally and externally:

- Power-on Reset

The most fundamental and unavoidable reset is the one that occurs after power is first applied to the microcontroller. As well as ensuring that the Program Memory begins execution from the first memory address, a power-on reset also ensures that certain other registers are preset to known conditions. All the I/O port and port control registers will power up in a high condition ensuring that all pins will be first set to inputs.

Although the microcontroller has an internal RC reset function, if the VDD power supply rise time is not fast enough or does not stabilise quickly at power-on, the internal reset function may be incapable of providing proper reset operation. For this reason it is recommended that an external RC network is connected to the $\overline{\text{RES}}$ pin, whose additional time delay will ensure that the $\overline{\text{RES}}$ pin remains low for an extended period to allow the power supply to stabilise. During this time delay, normal operation of the microcontroller will be inhibited. After the $\overline{\text{RES}}$ line reaches a certain voltage value, the reset delay time t_{RSTD} is invoked to provide an extra delay time after which the microcontroller will begin normal operation. The abbreviation SST in the figures stands for System Start-up Timer.

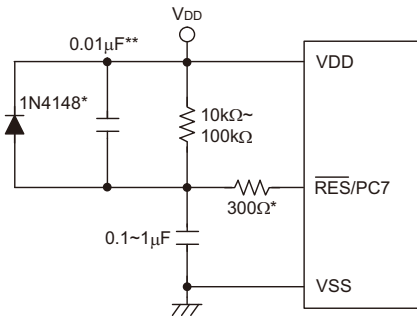


Power-On Reset Timing Chart

For most applications a resistor connected between VDD and the $\overline{\text{RES}}$ pin and a capacitor connected between VSS and the RES pin will provide a suitable external reset circuit. Any wiring connected to the $\overline{\text{RES}}$ pin should be kept as short as possible to minimise any stray noise interference.

For applications that operate within an environment where more noise is present the Enhanced Reset Circuit shown is recommended.

More information regarding external reset circuits is located in Application Note HA0075E on the Holtek website.



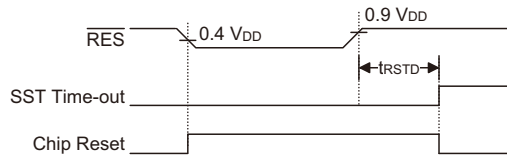
Note: "*" It is recommended that this component is added for added ESD protection

**** It is recommended that this component is added in environments where power line noise is significant

External $\overline{\text{RES}}$ Circuit

• $\overline{\text{RES}}$ Pin Reset

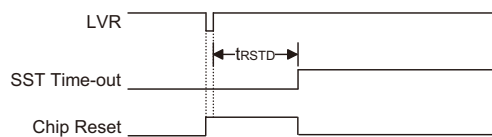
This type of reset occurs when the microcontroller is already running and the $\overline{\text{RES}}$ pin is forcefully pulled low by external hardware such as an external switch. In this case as in the case of other reset, the Program Counter will reset to zero and program execution initiated from this point.



RES Reset Timing Chart

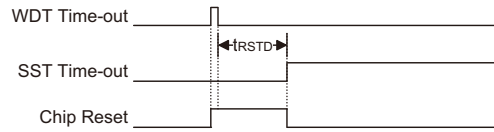
• Low Voltage Reset – LVR

The microcontroller contains a low voltage reset circuit in order to monitor the supply voltage of the device, which is selected via a configuration option. If the supply voltage of the device drops to within a range of $0.9V \sim V_{\text{LVR}}$ such as might occur when changing the battery, the LVR will automatically reset the device internally. The LVR includes the following specifications: For a valid LVR signal, a low voltage, i.e., a voltage in the range between $0.9V \sim V_{\text{LVR}}$ must exist for greater than the value t_{LVR} specified in the A.C. characteristics. If the low voltage state does not exceed 1ms, the LVR will ignore it and will not perform a reset function. One of a range of specified voltage values for V_{LVR} can be selected using configuration options. The V_{LVR} value will be selected as a pair in conjunction with a Low Voltage Detect value.



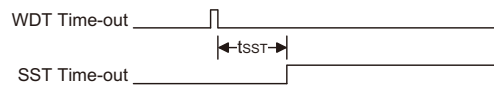
Low Voltage Reset Timing Chart

- Watchdog Time-out Reset during Normal Operation
 The Watchdog time-out Reset during normal operation is the same as a hardware $\overline{\text{RES}}$ pin reset except that the Watchdog time-out flag TO will be set to "1".



WDT Time-out Reset during Normal Operation
Timing Chart

- Watchdog Time-out Reset during Power Down
 The Watchdog time-out Reset during Power Down is a little different from other kinds of reset. Most of the conditions remain unchanged except that the Program Counter and the Stack Pointer will be cleared to "0" and the TO flag will be set to "1". Refer to the A.C. Characteristics for t_{SST} details.



WDT Time-out Reset during Power Down
Timing Chart

Reset Initial Conditions

The different types of reset described affect the reset flags in different ways. These flags, known as PDF and TO are located in the status register and are controlled by various microcontroller operations, such as the Power Down function or Watchdog Timer. The reset flags are shown in the table:

TO	PDF	RESET Conditions
0	0	$\overline{\text{RES}}$ reset during power-on
u	u	$\overline{\text{RES}}$ or LVR reset during normal operation
1	u	WDT time-out reset during normal operation
1	1	WDT time-out reset during Power Down

Note: "u" stands for unchanged

The following table indicates the way in which the various components of the microcontroller are affected after a power-on reset occurs.

Item	Condition After RESET
Program Counter	Reset to zero
Interrupts	All interrupts will be disabled
WDT	Clear after reset, WDT begins counting
Timer/Event Counter	Timer Counter will be turned off
Prescaler	The Timer Counter Prescaler will be cleared
Input/Output Ports	I/O ports will be setup as inputs
Stack Pointer	Stack Pointer will point to the top of the stack

The different kinds of resets all affect the internal registers of the microcontroller in different ways. To ensure reliable continuation of normal program execution after a reset occurs, it is important to know what condition the microcontroller is in after a particular reset occurs. The following table describes how each type of reset affects each of the microcontroller internal registers.

Register	Reset (Power-on)	RES Reset (Normal Operation)	WDT Time-out (Normal Operation)	WDT Time-out (HALT)	USB Reset (Normal)	USB Reset (HALT)
MP0	x xxx x xxx	u u u u u u u u	u u u u u u u u	u u u u u u u u	u u u u u u u u	u u u u u u u u
MP1	x xxx x xxx	u u u u u u u u	u u u u u u u u	u u u u u u u u	u u u u u u u u	u u u u u u u u
BP	0 0 0 0 0 0 0 0	0 0 0 0 0 0 0 0	0 0 0 0 0 0 0 0	u u u u u u u u	0 0 0 0 0 0 0 0	0 0 0 0 0 0 0 0
ACC	x xxx x xxx	u u u u u u u u	u u u u u u u u	u u u u u u u u	u u u u u u u u	u u u u u u u u
PCL	0 0 0 0 0 0 0 0	0 0 0 0 0 0 0 0	0 0 0 0 0 0 0 0	0 0 0 0 0 0 0 0	0 0 0 0 0 0 0 0	0 0 0 0 0 0 0 0
TBLP	x xxx x xxx	u u u u u u u u	u u u u u u u u	u u u u u u u u	u u u u u u u u	u u u u u u u u
TBLH	x xxx x xxx	u u u u u u u u	u u u u u u u u	u u u u u u u u	u u u u u u u u	u u u u u u u u
RTCC	--00 0111	--00 0111	--00 0111	--uu uuuu	--00 0111	--00 0111
STATUS	--00 x xxx	--uu uuuu	--1u uuuu	--11 uuuu	--uu uuuu	--01 uuuu
TBHP	x xxx x xxx	u u u u u u u u	u u u u u u u u	u u u u u u u u	u u u u u u u u	u u u u u u u u
MISC0	0 0 0 0 0 0 0 0	0 0 0 0 0 0 0 0	0 0 0 0 0 0 0 0	u u u u u u u u	0 0 0 0 0 0 0 0	0 0 0 0 0 0 0 0
MISC1	0 0 0 0 1 0 1 0	0 0 0 0 1 0 1 0	0 0 0 0 1 0 1 0	u u u u u u u u	0 0 0 0 1 0 1 0	0 0 0 0 1 0 1 0
CLKMOD	0 0 0 0 0 x 1 1	0 0 0 0 0 x 1 1	0 0 0 0 0 x 1 1	u u u u u u u u	0 0 0 0 0 x 1 1	0 0 0 0 0 x 1 1
DC2DC	---- --00	---- --00	---- --00	---- --uu	---- --00	---- --00
INTC0	-000 0000	-000 0000	-000 0000	-uuu uuuu	-000 0000	-000 0000
INTC1	-000 0000	-000 0000	-000 0000	-uuu uuuu	-000 0000	-000 0000
INTC2	--00 --00	--00 --00	--00 --00	--uu --uu	--00 --00	--00 --00
MFIC0	0 0 0 0 0 0 0 0	0 0 0 0 0 0 0 0	0 0 0 0 0 0 0 0	u u u u u u u u	0 0 0 0 0 0 0 0	0 0 0 0 0 0 0 0
MFIC1	-000 -000	-000 -000	-000 -000	-uuu -uuu	-000 -000	-000 -000
PAWU	0 0 0 0 0 0 0 0	0 0 0 0 0 0 0 0	0 0 0 0 0 0 0 0	u u u u u u u u	0 0 0 0 0 0 0 0	0 0 0 0 0 0 0 0
PAPU	0 0 0 0 0 0 0 0	0 0 0 0 0 0 0 0	0 0 0 0 0 0 0 0	u u u u u u u u	0 0 0 0 0 0 0 0	0 0 0 0 0 0 0 0
PA	1 1 1 1 1 1 1 1	1 1 1 1 1 1 1 1	1 1 1 1 1 1 1 1	u u u u u u u u	1 1 1 1 1 1 1 1	1 1 1 1 1 1 1 1
PAC	1 1 1 1 1 1 1 1	1 1 1 1 1 1 1 1	1 1 1 1 1 1 1 1	u u u u u u u u	1 1 1 1 1 1 1 1	1 1 1 1 1 1 1 1
PBPU	0 0 0 0 0 0 0 0	0 0 0 0 0 0 0 0	0 0 0 0 0 0 0 0	u u u u u u u u	0 0 0 0 0 0 0 0	0 0 0 0 0 0 0 0
PB	1 1 1 1 1 1 1 1	1 1 1 1 1 1 1 1	1 1 1 1 1 1 1 1	u u u u u u u u	1 1 1 1 1 1 1 1	1 1 1 1 1 1 1 1
PBC	1 1 1 1 1 1 1 1	1 1 1 1 1 1 1 1	1 1 1 1 1 1 1 1	u u u u u u u u	1 1 1 1 1 1 1 1	1 1 1 1 1 1 1 1
PCPU	-000 0000	-000 0000	-000 0000	u u u u u u u u	-000 0000	-000 0000
PC	1 1 1 1 1 1 1 1	1 1 1 1 1 1 1 1	1 1 1 1 1 1 1 1	u u u u u u u u	1 1 1 1 1 1 1 1	1 1 1 1 1 1 1 1
PCC	1 1 1 1 1 1 1 1	1 1 1 1 1 1 1 1	1 1 1 1 1 1 1 1	u u u u u u u u	1 1 1 1 1 1 1 1	1 1 1 1 1 1 1 1
PWM0L	0 0 0 0 ---0	0 0 0 0 ---0	0 0 0 0 ---0	u u u u ---u	0 0 0 0 ---0	0 0 0 0 ---0
PWM0H	0 0 0 0 0 0 0 0	0 0 0 0 0 0 0 0	0 0 0 0 0 0 0 0	u u u u u u u u	0 0 0 0 0 0 0 0	0 0 0 0 0 0 0 0
PWM1L	0 0 0 0 ---0	0 0 0 0 ---0	0 0 0 0 ---0	u u u u ---u	0 0 0 0 ---0	0 0 0 0 ---0
PWM1H	0 0 0 0 0 0 0 0	0 0 0 0 0 0 0 0	0 0 0 0 0 0 0 0	u u u u u u u u	0 0 0 0 0 0 0 0	0 0 0 0 0 0 0 0
PWM2L	0 0 0 0 ---0	0 0 0 0 ---0	0 0 0 0 ---0	u u u u ---u	0 0 0 0 ---0	0 0 0 0 ---0



HT56RB27
TinyPower™ A/D Type Smart Card OTP MCU
with DAC, ISO 7816 and USB Interfaces

Register	Reset (Power-on)	RES Reset (Normal Operation)	WDT Time-out (Normal Operation)	WDT Time-out (HALT)	USB Reset (Normal)	USB Reset (HALT)
PWM2H	0000 0000	0000 0000	0000 0000	uuuu uuuu	0000 0000	0000 0000
PWM3L	0000 ---0	0000 ---0	0000 ---0	uuuu ---u	0000 ---0	0000 ---0
PWM3H	0000 0000	0000 0000	0000 0000	uuuu uuuu	0000 0000	0000 0000
TMR0	xxxx xxxx	xxxx xxxx	xxxx xxxx	uuuu uuuu	xxxx xxxx	xxxx xxxx
TMR0C	00-0 1000	00-0 1000	00-0 1000	uu-u uuuu	00-0 1000	00-0 1000
TMR1H	xxxx xxxx	xxxx xxxx	xxxx xxxx	uuuu uuuu	xxxx xxxx	xxxx xxxx
TMR1L	xxxx xxxx	xxxx xxxx	xxxx xxxx	uuuu uuuu	xxxx xxxx	xxxx xxxx
TMR1C	0000 1---	0000 1---	0000 1---	uuuu u---	0000 1---	0000 1---
TMR2	xxxx xxxx	xxxx xxxx	xxxx xxxx	uuuu uuuu	xxxx xxxx	xxxx xxxx
TMR2C	00-0 1000	00-0 1000	00-0 1000	uu-u uuuu	00-0 1000	00-0 1000
TMR3	xxxx xxxx	xxxx xxxx	xxxx xxxx	uuuu uuuu	xxxx xxxx	xxxx xxxx
TMR3C	00-0 1000	00-0 1000	00-0 1000	uu-u uuuu	00-0 1000	00-0 1000
RCFLT	--00 0000	--00 0000	--00 0000	--uu uuuu	--00 0000	--00 0000
ADRL	xxxx ----	xxxx ----	xxxx ----	uuuu ----	xxxx ----	xxxx ----
ADRH	xxxx xxxx	xxxx xxxx	xxxx xxxx	uuuu uuuu	xxxx xxxx	xxxx xxxx
ADCR	01 -- -000	01 -- -000	01 -- -000	uuu- --uu	01 -- -000	01 -- -000
ACSR	1100 0000	1100 0000	1100 0000	uuuu uuuu	1100 0000	1100 0000
ADPCR	0000 0000	0000 0000	0000 0000	uuuu uuuu	0000 0000	0000 0000
SIM0CTL0	1110 000-	1110 000-	1110 000-	uuuu uuuu	1110 000-	1110 000-
SIM0CTL1	1000 0001	1000 0001	1000 0001	uuuu uu-u	1000 0001	1000 0001
SIM0DR	xxxx xxxx	xxxx xxxx	xxxx xxxx	uuuu uuuu	xxxx xxxx	xxxx xxxx
SIM0AR/SIM0CTL2	0000 0000	0000 0000	0000 0000	uuuu uuuu	0000 0000	0000 0000
SIM1CTL0	1110 000-	1110 000-	1110 000-	uuuu uuuu	1110 000-	1110 000-
SIM1CTL1	1000 0001	1000 0001	1000 0001	uuuu uu-u	1000 0001	1000 0001
SIM1DR	xxxx xxxx	xxxx xxxx	xxxx xxxx	uuuu uuuu	xxxx xxxx	xxxx xxxx
SIM1AR/SIM1CTL2	0000 0000	0000 0000	0000 0000	uuuu uuuu	0000 0000	0000 0000
DAL	0000 ----	0000 ----	0000 ----	uuuu ----	0000 ----	0000 ----
DAH	0000 0000	0000 0000	0000 0000	uuuu uuuu	0000 0000	0000 0000
DACTRL	xxx- ---0	xxx- ---0	xxx- ---0	uuu- ---u	xxx- ---0	xxx- ---0
CCR	0000 0000	0000 0000	0000 0000	uuuu uuuu	0000 0000	0000 0000
CSR	1000 0000	1000 0000	1000 0000	uuuu uuuu	1000 0000	1000 0000
CCCR	00xx x0x0	00xx x0x0	00xx x0x0	uuxx xuxu	00xx x0x0	00xx x0x0
CETU1	0--- -001	0--- -001	0--- -001	u--- -uuu	0--- -001	0--- -001
CETU0	0111 0100	0111 0100	0111 0100	uuuu uuuu	0111 0100	0111 0100
CGT1	0000 0000	0000 0000	0000 0000	uuuu uuuu	0000 0000	0000 0000
CGT0	0000 1100	0000 1100	0000 1100	uuuu uuuu	0000 1100	0000 1100
CWT2	0000 0000	0000 0000	0000 0000	uuuu uuuu	0000 0000	0000 0000

HT56RB27
TinyPower™ A/D Type Smart Card OTP MCU
with DAC, ISO 7816 and USB Interfaces



Register	Reset (Power-on)	RES Reset (Normal Operation)	WDT Time-out (Normal Operation)	WDT Time-out (HALT)	USB Reset (Normal)	USB Reset (HALT)
CWT1	0010 0101	0010 0101	0010 0101	u u u u u u u u u u	0010 0101	0010 0101
CWT0	1000 0000	1000 0000	1000 0000	u u u u u u u u u u	1000 0000	1000 0000
CIER	0000 0000	0000 0000	0000 0000	u u u u u u u u u u	0000 0000	0000 0000
CIPR	0-00 0000	0-00 0000	0-00 0000	u-u u u u u u u u u	0-00 0000	0-00 0000
CTXB	0000 0000	0000 0000	0000 0000	u u u u u u u u u u	0000 0000	0000 0000
CRXB	0000 0000	0000 0000	0000 0000	u u u u u u u u u u	0000 0000	0000 0000
USC	1-00 0000	1-00 0000	u-u u u u u u u u u	u-u u u u u u u u u	u-00 0100	u-00 0100
USR	--00 0000	--00 0000	--u u u u u u u u u u	--u u u u u u u u u u	--00 0000	--00 0000
UCC	-0-0 0000	-0-0 0000	-u-u u u u u u u u u	-u-u u u u u u u u u	-u-0 u 000	-u-0 u 000
AWR	0000 0000	0000 0000	u u u u u u u u u u	u u u u u u u u u u	0000 0000	0000 0000
STALL	--11 1110	--11 1110	--u u u u u u u u u u	--u u u u u u u u u u	--11 1110	--11 1110
SIES	0000 0000	0000 0000	u u u u u u u u u u	u u u u u u u u u u	0000 0000	0000 0000
UMISC	0xx- -000	0xx- -000	u xx- -u u u u	u xx- -u u u u	000- -000	000- -000
SETIO	--11 1110	--11 1110	--u u u u u u u u u u	--u u u u u u u u u u	--11 1110	--11 1110
FIFO0	xxxx xxxx	u u u u u u u u u u	u u u u u u u u u u	u u u u u u u u u u	0000 0000	0000 0000
FIFO1	xxxx xxxx	u u u u u u u u u u	u u u u u u u u u u	u u u u u u u u u u	0000 0000	0000 0000
FIFO2	xxxx xxxx	u u u u u u u u u u	u u u u u u u u u u	u u u u u u u u u u	0000 0000	0000 0000
FIFO3	xxxx xxxx	u u u u u u u u u u	u u u u u u u u u u	u u u u u u u u u u	0000 0000	0000 0000
FIFO4	xxxx xxxx	u u u u u u u u u u	u u u u u u u u u u	u u u u u u u u u u	0000 0000	0000 0000
FIFO5	xxxx xxxx	u u u u u u u u u u	u u u u u u u u u u	u u u u u u u u u u	0000 0000	0000 0000
UIC	--00 0000	--00 0000	--u u u u u u u u u u	--u u u u u u u u u u	--00 0000	--00 0000
NTIM	--00 0000	--00 0000	--u u u u u u u u u u	--u u u u u u u u u u	--00 0000	--00 0000
PIPE	--00 000-	--00 000-	--u u u u u u u u u u	--u u u u u u u u u u	--00 000-	--00 000-

Note: "u" stands for unchanged
"x" stands for unknown
"-" stands for unimplemented

Oscillator

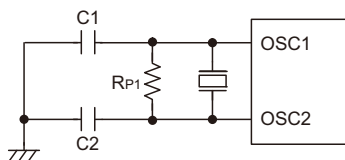
Various oscillator options offer the user a wide range of functions according to their various application requirements. Five types of system clocks can be selected while various clock source options are provided for maximum flexibility. All oscillator options are selected through the configuration options.

System Clock Configurations

There are many ways of generating the system clock, three high speed oscillators and two low speed oscillators supplied clock. An external clock source can also be used as the system clock. The three high speed oscillators are the external crystal/ceramic oscillator (HXT), the external RC network (ERC) and the internal high speed RC oscillator (HIRC). The two low speed oscillators are the external 32.768kHz crystal oscillator (LXT) and the internal 32kHz RC oscillator (LIRC). Selecting whether the low frequency or high oscillator is used as the system oscillator is implemented using the HLCLK bit in the CLKMOD register. The source clock for the high speed oscillator is chosen via configuration options as well as the low speed oscillator. The frequency of the slow clock is also determined using the SLOWC0~SLOWC2 bits in the CLKMOD register.

External Crystal/ Ceramic Oscillator – HXT

After selecting the external crystal configuration option, the simple connection of a crystal across OSC1 and OSC2, is normally all that is required to create the necessary phase shift and feedback for oscillation, without requiring external capacitors. However, for some crystal types and frequencies, to ensure oscillation, it may be necessary to add two small value capacitors, C1 and C2. Using a ceramic resonator will usually require two small value capacitors, C1 and C2, to be connected as shown for oscillation to occur. The values of C1 and C2 should be selected in consultation with the crystal or resonator manufacturer's specification. In most applications, resistor R_{P1} is not required, however for those applications where the LVR function is not used, R_{P1} may be necessary to ensure the oscillator stops running when VDD falls below its operating range. The internal oscillator circuit contains a filter circuit to reduce the possibility of erratic operation due to noise on the oscillator pins. An additional configuration option must be setup to configure the device according to whether the oscillator frequency is high, defined as equal to or above 1MHz, or low, which is defined as below 1MHz. More information regarding oscillator applications is located on the Holtek website.



Crystal/Ceramic Oscillator

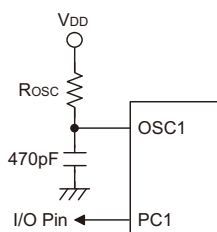
Crystal Oscillator C1 and C2 Values		
Crystal Frequency	C1	C2
20MHz	—	—
12MHz	—	—
8MHz	—	—
4MHz	—	—
1MHz	—	—
455kHz (see Note 2)	10pF	10pF
Note: 1. C1 and C2 values are for guidance only. 2. XTAL mode configuration option: 455kHz. 3. R _{P1} = 5MΩ~10MΩ is recommended.		

Crystal Recommended Capacitor Values

External RC Oscillator – ERC

Using the ERC oscillator only requires that a resistor, with a value between 47kΩ and 1.5MΩ, is connected between OSC1 and VDD, and a 470pF capacitor is connected between OSC1 and ground, providing a low cost oscillator configuration. It is only the external resistor that determines the oscillation frequency; the external capacitor has no influence over the frequency and is connected for stability purposes only. Device trimming during the manufacturing process and the inclusion of internal frequency compensation circuits are used to ensure that the influence of the power supply voltage, temperature and process variations on the oscillation frequency are minimised. As a resistance/frequency reference point, it can be noted that with an external 150kΩ resistor connected and with a 5V voltage power supply and temperature of 25°C degrees, the oscillator will have a frequency of 4MHz within a tolerance of 2%. Here only the OSC1 pin is used, which is shared with I/O pin PC0, leaving pin PC1 free for use as a normal I/O pin.

Note that an internal capacitor together with the external resistor, R_{osc} , are the components which determine the frequency of the oscillator. The external capacitor shown on the diagram does not influence the frequency of oscillation. This external capacitor should be added to improve oscillator stability if the open-drain OSC2 output is utilised in the application circuit. The internal oscillator circuit contains a filter circuit to reduce the possibility of erratic operation due to noise on the oscillator pins.



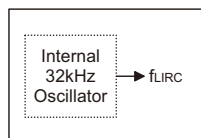
External RC Oscillator – ERC

Internal RC Oscillator – HIRC

The internal RC oscillator is a fully integrated system oscillator requiring no external components. The internal RC oscillator has three fixed frequencies of either 4MHz, 8MHz or 12MHz. Device trimming during the manufacturing process and the inclusion of internal frequency compensation circuits are used to ensure that the influence of the power supply voltage, temperature and process variations on the oscillation frequency are minimised. As a result, at a power supply of either 3V or 5V and at a temperature of 25°C degrees, the fixed oscillation frequency of 4MHz, 8MHz or 12MHz will have a tolerance within 2%. Note that if this internal system clock option is selected, as it requires no external pins for its operation, I/O pins PC0 and PC1 are free for use as normal I/O pins.

Internal 32kHz RC Oscillator – LIRC

The Internal 32kHz System Oscillator is one of the low frequency oscillator choices, which is selected via configuration option. It is a fully integrated RC oscillator with a typical frequency of 32kHz at 5V, requiring no external components for its implementation. Device trimming during the manufacturing process and the inclusion of internal frequency compensation circuits are used to ensure that the influence of the power supply voltage, temperature and process variations on the oscillation frequency are minimised. As a result, at a power supply of 5V and at a temperature of 25°C degrees, the oscillation frequency of 32kHz will have a frequency range from 28.1kHz to 34.4kHz.



Internal RC Oscillator – LIRC

External 32.768kHz Oscillator – LXT

The External 32.768kHz Crystal System Oscillator is one of the low frequency oscillator choices, which is selected via configuration option. This clock source has a fixed frequency of 32.768kHz and requires a 32.768kHz crystal to be connected between pins OSC3 and OSC4. The external resistor and capacitor components connected to the 32.768kHz crystal are necessary to provide oscillation. For applications where precise frequencies are essential, these components may be required to provide frequency compensation due to different crystal manufacturing tolerances. During power-up there is a time delay associated with the LXT oscillator waiting for it to start-up.

When the microcontroller enters the SLEEP or IDLE Mode, the system clock is switched off to stop microcontroller activity and to conserve power. However, in many microcontroller applications it may be necessary to keep the internal timers operational even when the microcontroller is in the SLEEP or IDLE Mode. To do this, another clock, independent of the system clock, must be provided.

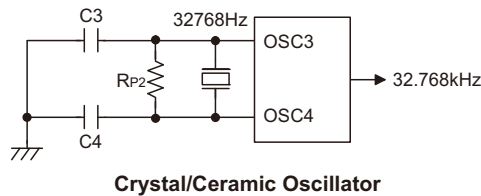
However, for some crystals, to ensure oscillation and accurate frequency generation, it is necessary to add two small value external capacitors, C1 and C2. The exact values of C1 and C2 should be selected in consultation with the crystal or resonator manufacturers' specification. The external parallel feedback resistor, R_p, is required.

Some configuration options determine if the OSC3/OSC4 pins are used for the LXT oscillator or as I/O pins.

- If the LXT oscillator is not used for any clock source, the OSC3/OSC4 pins can be used as normal I/O pins.
- If the LXT oscillator is used for any clock source, the 32.768kHz crystal should be connected to the OSC3/OSC4 pins.

LXT Oscillator C1 and C2 Values		
Crystal Frequency	C3	C4
32768Hz	8pF	10pF
Note: 1. C3 and C4 values are for guidance only. 2. R _{p2} =5M~10MΩ is recommended.		

32.768kHz Crystal Recommended Capacitor Values



LXT Oscillator Low Power Function

The LXT oscillator can function in one of two modes, the Quick Start Mode and the Low Power Mode. The mode selection is executed using the QOSC bit in the RTCC register.

QOSC Bit	LXT Mode
0	Quick Start
1	Low-power

After power on, the QOSC bit will be automatically cleared to zero ensuring that the LXT oscillator is in the Quick Start operating mode. In the Quick Start Mode the LXT oscillator will power up and stabilise quickly. However, after the LXT oscillator has fully powered up it can be placed into the Low-power mode by setting the QOSC bit high. The oscillator will continue to run but with reduced current consumption, as the higher current consumption is only required during the LXT oscillator start-up. In power sensitive applications, such as battery applications, where power consumption must be kept to a minimum, it is therefore recommended that the application program sets the QOSC bit high about 2 seconds after power-on.

It should be noted that, no matter what condition the QOSC bit is set to, the LXT oscillator will always function normally, the only difference is that it will take more time to start up if in the Low-power mode.

External Oscillator – EC

The system clock can also be supplied by an externally supplied clock giving users a method of synchronizing their external hardware to the microcontroller operation. This is selected using a configuration option and supplying the clock on pin OSC1. Pin OSC2 can be used as a normal I/O pin if the external oscillator is used. The internal oscillator circuit contains a filter circuit to reduce the possibility of erratic operation due to noise on the oscillator pin. However, as the filter circuit consumes a certain amount of power, an oscillator configuration option exists to turn this filter off. Not using the internal filter should be considered in power sensitive applications and where the externally supplied clock is of a high integrity and supplied by a low impedance source.

System Operating Modes

The device has the ability to operate in several different modes. This range of operating modes, known as Normal Mode, Slow Mode, Idle Mode and Sleep Mode, allow the device to run using a wide range of different slow and fast clock sources. The devices also possess the ability to dynamically switch between different clocks and operating modes. With this choice of operating functions users are provided with the flexibility to ensure they obtain optimal performance from the device according to their application specific requirements.

Clock Sources

In discussing the system clocks for the device, they can be seen as having a dual clock mode. These dual clocks are what are known as a High Oscillator and the other as a Low Oscillator. The High and Low Oscillator are the system clock sources and can be selected dynamically using the HLCLK bit in the CLKMOD register. The High Oscillator has the internal name f_M whose source is selected using a configuration option from a choice of either an external crystal/resonator, external RC oscillator or external clock source.

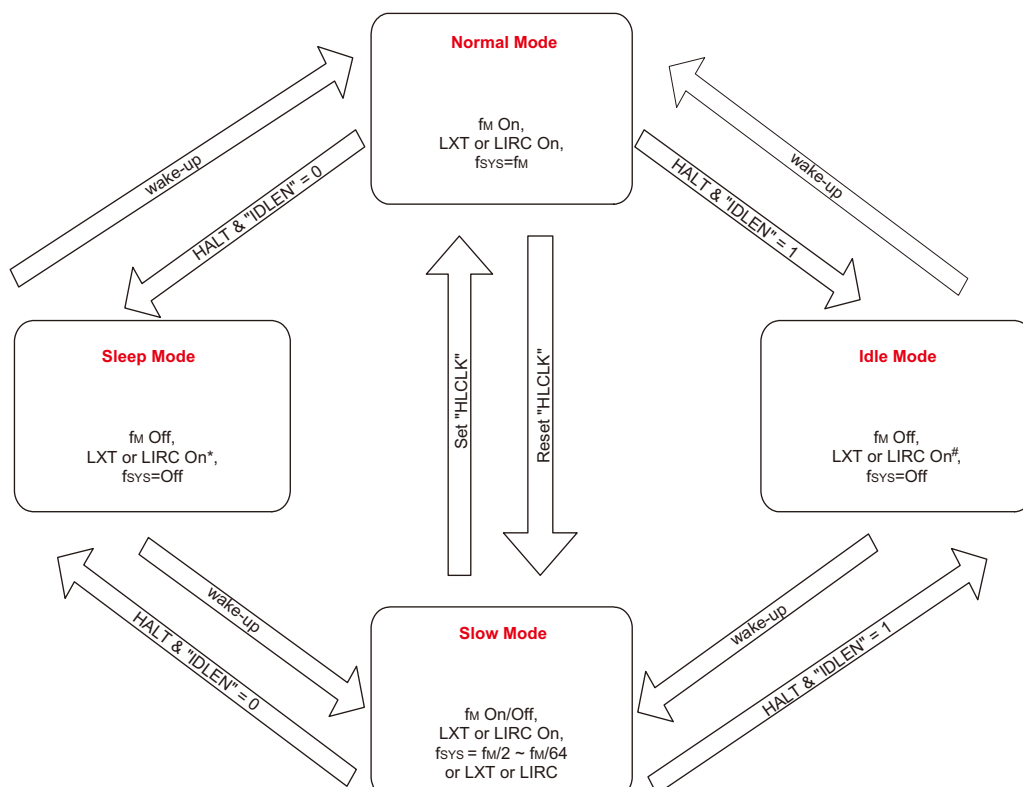
CLKMOD Register

Bit	7	6	5	4	3	2	1	0
Name	SLOWC2	SLOWC1	SLOWC0	SIMIDLE	LTO	HTO	IDLEN	HLCLK
R/W	R/W		R/W	R/W	R	R	R/W	R
POR	0	0	0	0	0	0	0	0

- Bit 7~5 **SLOWC2~SLOWC0**: Low speed clock frequency f_{SLOW} selection
000: f_{SL}
001: f_{SL}
010: $f_{\text{M}}/64$
011: $f_{\text{M}}/32$
100: $f_{\text{M}}/16$
101: $f_{\text{M}}/8$
110: $f_{\text{M}}/4$
111: $f_{\text{M}}/2$
- Bit 4 **SIMIDLE**: SIMn (SPI/I2C) Continues Running in IDLE mode control
0: disable
1: enable
- Bit 3 **LTO**: Low speed Oscillator ready flag
0: non-time-out
1: time-out
- Bit 2 **HTO**: High speed Oscillator ready flag
0: non-time-out
1: time-out
- Bit 1 **IDLEN**: Idle mode control
0: disable (SLEEP mode)
1: enable (IDLE mode)
- Bit 0 **HLCLK**: System clock frequency f_{SYS} selection
0: f_{M}
1: f_{SLOW}

The Low Oscillator clock source has the internal name f_{SL} , whose source is also selected by configuration option from a choice of either an external 32.768kHz oscillator (LXT) or the internal 32kHz RC oscillator (LIRC). This internal f_{SL} , f_{M} clock, is further modified by the SLOWC0~ SLOWC2 bits in the CLKMOD register to provide the low frequency clock source f_{SLOW} .

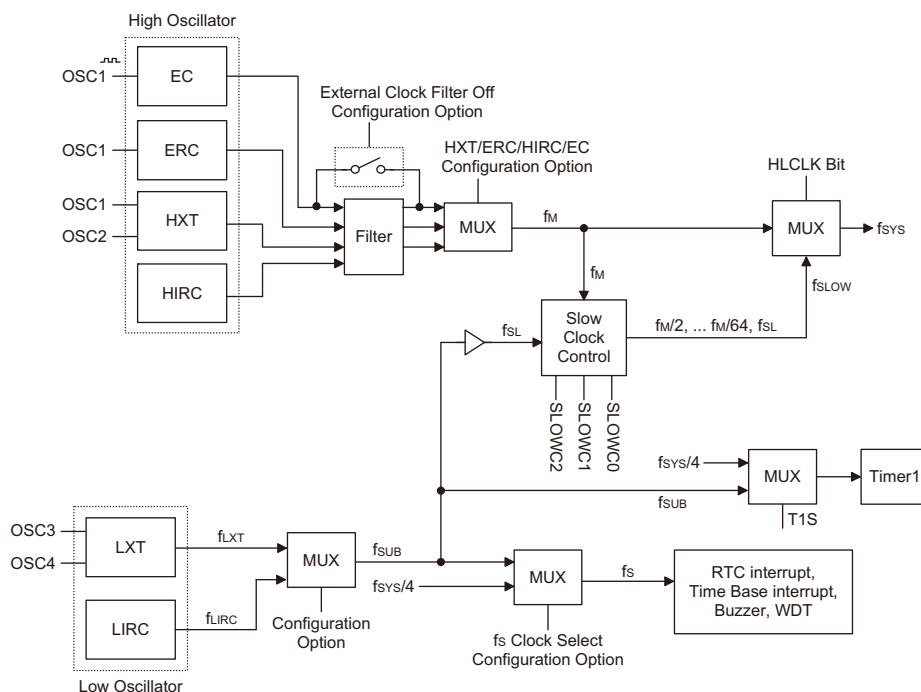
An additional sub internal clock, with the internal name f_{SUB} , is a 32kHz clock source which can be sourced from either the internal 32K_INT oscillator or an external 32768 Hz crystal, selected by configuration option. Together with $f_{\text{SYS}}/4$, it is used as a clock source for certain internal functions such as the LCD driver, Watchdog Timer, Buzzer, RTC Interrupt and Time Base Interrupt. The LCD clock source is the f_{SUB} clock source divided by 8, giving a frequency of 4kHz. The internal clock f_{s} , is simply a choice of either f_{SUB} or $f_{\text{SYS}}/4$, using a configuration option.



*** Depends the WDT enable/disable condition.

Either the LXT or LIRC must be ON.

Dual Clock Mode Operation



Dual Clock Mode Structure

Operating Modes

After the correct clock source configuration selections are made, overall operation of the chosen clock is achieved using the CLKMOD register. A combination of the HLCLK and IDLEN bits in the CLKMOD register and use of the HALT instruction determine in which mode the device will be run. The devices can operate in the following Modes.

- Normal mode
 f_M on, f_{SLOW} on, $f_{SYS}=f_M$, CPU on, f_S on, f_{WDT} on/off depending upon the WDT configuration option and WDT control register.
- Slow Mode0
 f_M off, $f_{SYS}=f_{SLOW}$, $f_{SLOW}=f_{SL}=f_{LIRC}$ or f_{LXT} , CPU on, f_S on, f_{WDT} on/off depending upon the WDT configuration option and WDT control register.
- Slow Mode1
 f_M on, $f_{SYS}=f_{SLOW}=f_M/2\sim f_M/64$, CPU on, f_S on, f_{WDT} on/off depending upon the WDT configuration option and WDT control register.
- IDLE mode
 f_M, f_{SLOW}, f_{SYS} off; CPU off; f_{SUB} on, f_S on/off by selecting f_{SUB} or $f_{SYS}/4$, f_{WDT} on/off depending upon the WDT configuration option and WDT control register.
 The IDLE mode is determined by the IDLE Mode Control bit named IDLEN in the CLKMOD register when the HALT instruction is executed. If this bit is high, when a HALT instruction is executed the device will enter the IDLE Mode. If the bit is low the device will enter the SLEEP Mode when a HALT instruction is executed.
- SLEEP mode
 $f_M, f_{SLOW}, f_{SYS}, f_S$, CPU off; f_{SUB}, f_{WDT} on/off depending upon the WDT configuration option and WDT control register.
 The SLEEP mode is determined by setting the IDLE Mode Control bit named IDLEN to 0 when the HALT instruction is executed.

Operation Mode	Description				
	CPU	f_{SYS}	f_{SUB}	f_S	f_{LCD}
Normal Mode	On	f_M	On	On	On/Off ⁽⁴⁾
Slow 0 Mode	On	$f_{SLOW}=f_{LIRC}$ or f_{LXT}	On	On	On/Off ⁽⁴⁾
Slow 1 Mode	On	$f_{SLOW}=f_M/2\sim f_M/64$	On	On	On/Off ⁽⁴⁾
IDLE Mode	On	On/Off ⁽¹⁾	On	On/Off ⁽³⁾	On/Off ⁽⁴⁾
SLEEP Mode	On	Off	On/Off ⁽²⁾	On/Off ⁽³⁾	Off

- Note:
1. In the IDLE Mode, the f_{SYS} clock on/off function is determined by whether the SIMIDLE bit set to 1 or 0 respectively and can only be used for the master SPI operation or PCLK output for which the clock source comes from the f_{SYS} clock.
 2. In the SLEEP mode the f_{SUB} clock on/off function is determined by whether the WDT is enabled or disabled respectively.
 3. The f_S clock on/off function in the IDLE or SLEEP mode is determined by whether the selected clock source of the WDT function is f_{SUB} or the $f_{SYS}/4$ clock.
 4. The f_{LCD} clock turned on/off function is determined by the LCDEN or LEDEN control bit.

Power Down Mode and Wake-up

Power Down Mode

All of the Holtek microcontroller have the ability to enter a Power Down Mode. When the device enters this mode, the normal operating current, will be reduced to an extremely low standby current level. This occurs because when the device enters the Power Down Mode, the system oscillator is stopped which reduces the power consumption to extremely low levels, however, as the device maintains its present internal condition, it can be woken up at a later stage and continue running, without requiring a full reset. This feature is extremely important in application areas where the MCU must have its power supply constantly maintained to keep the device in a known condition but where the power supply capacity is limited such as in battery applications.

Entering the Power Down Mode

There is only one way for the device to enter the Power Down Mode and that is to execute the "HALT" instruction in the application program. When this instruction is executed, the following will occur:

- The system oscillator will stop running and the application program will stop at the "HALT" instruction.
- The Data Memory contents and registers will maintain their present condition.
- The WDT will be cleared and resume counting if the WDT clock source is selected to come from the WDT oscillator. The WDT will stop if its clock source originates from the system clock.
- The I/O ports will maintain their present condition.
- In the status register, the Power Down flag, PDF, will be set and the Watchdog time-out flag, TO, will be cleared.

Standby Current Considerations

As the main reason for entering the Power Down Mode is to keep the current consumption of the MCU to as low a value as possible, perhaps only in the order of several micro-amps, there are other considerations which must also be taken into account by the circuit designer if the power consumption is to be minimized. Special attention must be made to the I/O pins on the device. All high-impedance input pins must be connected to either a fixed high or low level as any floating input pins could create internal oscillations and result in increased current consumption. This also applies to devices which have different package types, as there may be undonbed pins, which must either be setup as outputs or if setup as inputs must have pull-high resistors connected. Care must also be taken with the loads, which are connected to I/O pins, which are setup as outputs. These should be placed in a condition in which minimum current is drawn or connected only to external circuits that do not draw current, such as other CMOS inputs. Also note that additional standby current will also be required if the configuration options have enabled the Watchdog Timer internal oscillator.

Wake-up

After the system enters the Power Down Mode, it can be woken up from one of various sources listed as follows:

- An external reset
- An external falling edge on Port A
- A system interrupt
- A WDT overflow

If the system is woken up by an external reset, the device will experience a full system reset, however, if the device is woken up by a WDT overflow, a Watchdog Timer reset will be initiated. Although both of these wake-up methods will initiate a reset operation, the actual source of the wake-up can be determined by examining the TO and PDF flags. The PDF flag is cleared by a system power-up or executing the clear Watchdog Timer instructions and is set when executing the "HALT" instruction. The TO flag is set if a WDT time-out occurs, and causes a wake-up that only resets the Program Counter and Stack Pointer, the other flags remain in their original status.

Each pin on Port A can be setup via an individual configuration option to permit a negative transition on the pin to wake-up the system. When a Port A pin wake-up occurs, the program will resume execution at the instruction following the "HALT" instruction.

If the system is woken up by an interrupt, then two possible situations may occur. The first is where the related interrupt is disabled or the interrupt is enabled but the stack is full, in which case the program will resume execution at the instruction following the "HALT" instruction. In this situation, the interrupt which woke-up the device will not be immediately serviced, but will rather be serviced later when the related interrupt is finally enabled or when a stack level becomes free. The other situation is where the related interrupt is enabled and the stack is not full, in which case the regular interrupt response takes place. If an interrupt request flag is set to "1" before entering the Power Down Mode, the wake-up function of the related interrupt will be disabled.

No matter what the source of the wake-up event is, once a wake-up situation occurs, a time period equal to 1024 system clock periods will be required before normal system operation resumes. However, if the wake-up has originated due to an interrupt, the actual interrupt subroutine execution will be delayed by an additional one or more cycles. If the wake-up results in the execution of the next instruction following the "HALT" instruction, this will be executed immediately after the 1024 system clock period delay has ended.

Low Voltage Detector – LVD

The Low Voltage Detect internal function provides a means for the user to monitor when the power supply voltage falls below a certain fixed level as specified in the DC characteristics.

LVD Operation

The LVD function must be first enabled via a configuration option after which bits 3 and 5 of the RTCC register are used to control the overall function of the LVD. Bit 3 is the enable/disable control bit and is known as LVDC, when set low the overall function of the LVD will be disabled. Bit 5 is the LVD detector output bit and is known as LVDO. Under normal operation, and when the power supply voltage is above the specified VLVD value in the DC characteristic section, the LVDO bit will remain at a zero value. If the power supply voltage should fall below this V_{LVD} value then the LVDO bit will change to a high value indicating a low voltage condition. Note that the LVDO bit is a read-only bit. By polling the LVDO bit in the RTCC register, the application program can therefore determine the presence of a low voltage condition.

After power-on, or after a reset, the LVD will be switched off by clearing the LVDC bit in the RTCC register to zero. Note that if the LVD is enabled there will be some power consumption associated with its internal circuitry, however, by clearing the LVDC bit to zero the power can be minimised. It is important not to confuse the LVD with the LVR function. In the LVR function an automatic reset will be generated by the microcontroller, whereas in the LVD function only the LVDO bit will be affected with no influence on other microcontroller functions.

There are a range of voltage values, selected using a configuration option, which can be chosen to activate the LVD.

Watchdog Timer

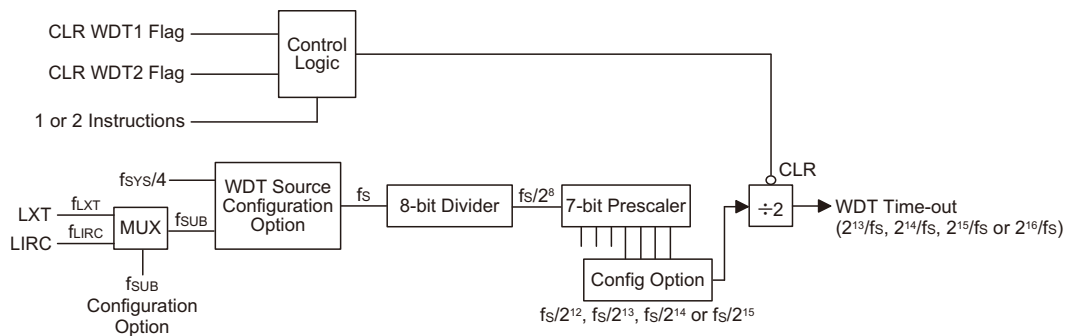
The Watchdog Timer is provided to prevent program malfunctions or sequences from jumping to unknown locations, due to certain uncontrollable external events such as electrical noise. It operates by providing a device reset when the Watchdog Timer counter overflows.

Watchdog Timer Operation

The Watchdog Timer clock source is provided by the internal clock, f_s , which is in turn supplied by one of two sources selected by configuration option: f_{SUB} or $f_{SYS}/4$. Note that if the Watchdog Timer configuration option has been disabled, then any instruction relating to its operation will result in no operation.

Most of the Watchdog Timer options, such as enable/disable, Watchdog Timer clock source and clear instruction type are selected using configuration options. In addition to a configuration option to enable the Watchdog Timer, there are four bits, WDTEN3~WDTEN0, in the MISC register to offer an additional enable control of the Watchdog Timer. These bits must be set to a specific value of 1010 to disable the Watchdog Timer. Any other values for these bits will keep the Watchdog Timer enabled. After power on these bits will have the disabled value of 1010.

One of the WDT clock sources is the internal f_{SUB} , which can be sourced from either the internal 32kHz RC oscillator (LIRC) or the external 32.768kHz oscillator (LXT). The LIRC oscillator has an approximate period of 31.2ms at a supply voltage of 5V. However, it should be noted that this specified internal clock period can vary with V_{DD} , temperature and process variations. The LXT oscillator is supplied by an external 32768Hz crystal. The other Watchdog Timer clock source option is the $f_{SYS}/4$ clock. Whether the Watchdog Timer clock source is it's the LIRC, the LXT oscillator or $f_{SYS}/4$, it is divided by $2^{13} \sim 2^{16}$, using configuration option to obtain the required Watchdog Timer time-out period. The max time out period is when the 2^{16} option is selected. This time-out period may vary with temperature, VDD and process variations. As the clear instruction only resets the last stage of the divider chain, for this reason the actual division ratio and corresponding Watchdog Timer time-out can vary by a factor of two. The exact division ratio depends upon the residual value in the Watchdog Timer counter before the clear instruction is executed.



Watchdog Timer

RTCC Register

Bit	7	6	5	4	3	2	1	0
Name	ODE3	ODE2	ODE1	ODE0	WDTEN3	WDTEN2	WDTEN1	WDTEN0
R/W	R/W	R/W	R/W	R/W	R/W	R/W	R/W	R/W
POR	0	0	0	0	1	0	1	0

Bit 7~4 **ODE3~ODE0**: PA3~PA0 Open Drain control
 Described in Input/Output Port section

Bit 3~0 **WDTEN3, WDTEN2, WDTEN1, WDTEN0**: WDT function enable
 1010: WDT disabled

Other values: WDT enabled Recommended value is "0101"
 If the "watchdog timer enable" configuration option is selected, then the watchdog timer will always be enabled and the WDTEN3 ~ WDTEN0 control bits will have no effect. The WDT is only disabled when both the WDT configuration option is disabled and when bits WDTEN3 ~ WDTEN0=1010. The WDT is enabled when either the WDT configuration option is enabled or when bits WDTEN3 ~ WDTEN0≠1010

If the $f_{SYS}/4$ clock is used as the Watchdog Timer clock source, it should be noted that when the system enters the Power Down Mode, then the instruction clock is stopped and the Watchdog Timer will lose its protecting purposes. For systems that operate in noisy environments, using the LIRC oscillator is strongly recommended.

Under normal program operation, a Watchdog Timer time-out will initialise a device reset and set the status bit TO. However, if the system is in the Power Down Mode, when a Watchdog Timer time-out occurs, the TO bit in the status register will be set and only the Program Counter and Stack Pointer will be reset. Three methods can be adopted to clear the contents of the Watchdog Timer. The first is an external hardware reset, which means a low level on the \overline{RES} pin, the second is using the watchdog software instructions and the third is via a "HALT" instruction.

Clearing the Watchdog Timer

There are two methods of using software instructions to clear the Watchdog Timer, one of which must be chosen by configuration option. The first option is to use the single "CLR WDT" instruction while the second is to use the two commands "CLR WDT1" and "CLR WDT2". For the first option, a simple execution of "CLR WDT" will clear the WDT while for the second option, both "CLR WDT1" and "CLR WDT2" must both be executed to successfully clear the Watchdog Timer. Note that for this second option, if "CLR WDT1" is used to clear the Watchdog Timer, successive executions of this instruction will have no effect, only the execution of a "CLR WDT2" instruction will clear the Watchdog Timer. Similarly after the "CLR WDT2" instruction has been executed, only a successive "CLR WDT1" instruction can clear the Watchdog Timer.

USB Interface

The device contains an embedded USB Module, which is a 4-wire serial bus that allows communication with an external host device. A token based protocol method is used by the host device for communication control. Other advantages of the USB bus include live plugging and unplugging and dynamic device configuration. It is particularly suitable for the devices with data links between PCs or peripheral devices, or the devices with USB interface such as USB mice, USB keyboards or USB joysticks, etc.

As the complexity of USB data protocol does not permit comprehensive USB operation information to be provided in this datasheet, the reader should therefore consult other external information for a detailed USB understanding.

USB Operation

To communicate with an external USB host, the internal USB module has external pins known as DP and DM along with the 3.3V regulator output V33O. The USB module has 6 endpoints and a 160 byte FIFO for the endpoints respectively. A Serial Interface Engine (SIE) decodes the incoming USB data stream and transfers it to the correct endpoint buffer memory (FIFO). A series of status registers provide the user with the USB data transfer situation as well as any error conditions. The USB contains its own independent interrupt which can be used to indicate when the USB FIFOs are accessed by the host device or a change of the USB operating conditions including the USB suspend mode, resume event or USB reset occurs.

USB Status and Control Registers

There are several registers associated with the USB function. Some of the registers control the overall function of the USB module as well as the interrupts, while some of the registers contain the status bits which indicate the USB data transfer situations and error condition. Also there are FIFOs for the USB endpoints to store the data received from or to be transmitted to the USB host. The USB module has 6 endpoints (EP0~EP5) with a different FIFO size for each one. The FIFO size is 8 bytes for EP0~EP2 and EP4 which support "Interrupt transfer", while the FIFO size for EP3 and EP5 is 64 bytes which can support "Bulk transfer".

USB Register Summary

Address	Name	POR State	Bit 7	Bit 6	Bit 5	Bit 4	Bit 3	Bit 2	Bit 1	Bit 0
60H	USC	1-00 0000	URD	—	PLL	V33C	RESUME	URST	RMWK	SUSP
61H	USR	--00 0000	—	—	EP5IF	EP4IF	EP3IF	EP2IF	EP1IF	EP0IF
62H	UCC	-0-0 0000	—	SYSCLK	—	SUSP2	USBCKEN	EPS2	EPS1	EPS0
63H	AWR	0000 0000	UAD6	UAD5	UAD4	UAD3	UAD2	UAD1	UAD0	WKEN
64H	STALL	--11 1110	—	—	STL5	STL4	STL3	STL2	STL1	STL0
65H	SIES	0000 0000	NMI	—	CRCF	NAK	IN	OUT	ERR	ASET
66H	UMISC	0xx- -000	LEN0	READY	SETCMD	—	—	CLEAR	TX	REQUEST
67H	SETIO	--11 1110	—	—	SETIO5	SETIO4	SETIO3	SETIO2	SETIO1	SETIO0
68H	FIFO0	XXXX XXXX	Data for endpoint 0							
69H	FIFO1	XXXX XXXX	Data for endpoint 1							
6AH	FIFO2	XXXX XXXX	Data for endpoint 2							
6BH	FIFO3	XXXX XXXX	Data for endpoint 3							
6CH	FIFO4	XXXX XXXX	Data for endpoint 4							
6DH	FIFO5	XXXX XXXX	Data for endpoint 5							
6EH	—	—	Unused, read as 0							
6FH	—	—	Unused, read as 0							
70H	UIC	--00 0000	—	—	EU5I	EU4I	EU3I	EU2I	EU1I	EU0I
71H	NTIM	--00 0000	—	—	NTI5M	NTI4M	NTI3M	NTI2M	NTI1M	NTI0M
72H	PIPE	--00 000-	—	—	EP5E	EP4E	EP3E	EP2E	EP1E	—

USC Register

The USC register contains the status bits for USB suspend, resume and reset indications. It also contains the bits used to control the Remote Wake-up, V330 output, PLL function and USB reset behavior. Further explanation on each bit is given below:

Bit	7	6	5	4	3	2	1	0
Name	URD	—	PLL	V33C	RESUME	URST	RMWK	SUSP
R/W	R/W	—	R/W	R/W	R	R	R/W	R
POR	1	—	0	0	0	0	0	0

- Bit 7 **URD**: USB reset signal control
0: USB reset signal can not reset the MCU
1: USB reset signal will reset the MCU
- Bit 6 Unimplemented, read as "0".
- Bit 5 **PLL**: PLL enable control
0: turn on the PLL
1: turn off the PLL
- Bit 4 **V33C**: V330 output enable control
0: turn off the V330 output
1: turn on the V330 output

- Bit 3** **RESUME:** USB resume indication flag
 0: USB device does not receive the resume signal or has left the suspend mode.
 1: USB device receives the resume signal and is going to leave the suspend mode.
 When the USB device receives the resume signal, this bit is set to "1" by SIE. This bit will appear for about 20ms, waiting for the MCU to detect it. When the RESUME is set by SIE, an interrupt will be generated to wake up the MCU. In order to detect the suspend state, MCU should set the USBCKEN bit to "1" and clear the PLL bit to "0" to enable the SIE functions. The RESUME bit will be cleared when the SUSP bit is set to "0". When the MCU detects the suspend mode SUSP, the resume signal RESUME which causes MCU to wake up should be remembered and taken into consideration.
- Bit 2** **URST:** USB reset indication flag
 0: No USB reset event occurred.
 1: USB reset event has occurred.
 The USB bit is set and cleared by USB SIE. When the URST bit is set to "1", it indicates that a USB reset event has occurred and a USB interrupt will be initiated.
- Bit 1** **RMWK:** USB remote wake-up command
 0: disable USB remote wake-up command
 1: initiate USB remote wake-up command
 The RMWK is set to "1" by MCU to force the USB host leaving the suspend mode. Set RMWK bit to 1 to initiate the remote walk-up command. When the RMWK bit is set to "1", a 2μs delay for clearing this bit to "0" is necessary to ensure that the RMWK command is accepted by the SIE.
- Bit 0** **SUSP:** USB suspend indication flag
 0: USB leaves the suspend mode.
 1: USB enters the suspend mode.
 This bit is read only and set to "1" by SIE to indicate that the USB bus enters the suspend mode. The USB interrupt is also generated when the SUSP bit is asserted.

USR Register

The USR (USB endpoint interrupt status register) register is consisted of the endpoint request flags (EP0IF~EP5IF) used to indicate which endpoint is accessed. When an endpoint is accessed, the related endpoint request flag will be set to "1" by SIE and a USB interrupt will be generated if the control bits related to the USB interrupt are enabled and the stack in the host MCU is not full. When the active endpoint request flag is serviced, the endpoint request flag has to be cleared to "0" by application program.

Bit	7	6	5	4	3	2	1	0
Name	—	—	EP5IF	EP4IF	EP3IF	EP2IF	EP1IF	EP0IF
R/W	—	—	R/W	R/W	R/W	R/W	R/W	R/W
POR	—	—	0	0	0	0	0	0

- Bit 7~6** Unimplemented, read as "0".
- Bit 5~0** **EP5IF~EP0IF:** Endpoint Interrupt request flags
 0: the corresponding Endpoint is not accessed.
 1: the corresponding Endpoint has been accessed.

UCC Register

The UCC register is the system clock control register implemented to select the clock used by the MCU. This register consists of USB clock control bit USBCKEN, second suspend mode control bit SUSP2 and system clock selection bit SYSCLK. This register is also used to select which endpoint FIFO is accessed by Endpoint FIFO Selection bits EPS2~EPS0. Further explanation on each of the bits is given below:

Bit	7	6	5	4	3	2	1	0
Name	—	SYSCLK	—	SUSP2	USBCKEN	EPS2	EPS1	EPS0
R/W	—	R/W	—	R/W	R/W	R/W	R/W	R/W
POR	—	0	—	0	0	0	0	0

Bit 7 Unimplemented, read as "0".

Bit 6 **SYSCLK**: System clock input selection
 0: 12MHz clock is used
 1: 6MHz clock is used
 This bit is used to specify the system clock oscillator frequency used by the MCU. If a 6MHz crystal oscillator or resonator is used, this bit should be set to "1". If a 12MHz crystal oscillator or resonator is used, this bit should be set to "0".

Bit 5 Unimplemented, read as "0".

Bit 4 **SUSP2**: Suspend mode 2 control
 0: optimized setting in suspend mode
 1: test setting in suspend mode. The band-gap circuit is turned off.
 It is strongly recommended that this bit should be set to "0" when the USB interface is in suspend mode. Otherwise, the unpredictable results will occur.

Bit 3 **USBCKEN**: USB clock enable control
 0: USB clock is disabled
 1: USB clock is enabled
 When the USB device receives the suspend signal sent from the USB host, the USB clock enable control bit USBCKEN should be set to "0" to reduce the power consumption.

Bit 2~0 **EPS2~EPS0**: Endpoint FIFO selection
 000: Endpoint 0 FIFO is selected
 001: Endpoint 1 FIFO is selected
 010: Endpoint 2 FIFO is selected
 011: Endpoint 3 FIFO is selected
 100: Endpoint 4 FIFO is selected
 101: Endpoint 5 FIFO is selected
 11x: reserved for further expansion and can not be used.
 The EPS2~EPS0 bits are used to select which endpoint is to be accessed. If the selected endpoint does not exist, the related functions are not available.

AWR Register

The AWR register contains the USB device address and the Remote wake-up function control bit. The initial value of the USB device address is 00H. The address value extracted from the USB command is to be immediately loaded into this register or not depending upon the device address update control bit ASET in the SIES register.

Bit	7	6	5	4	3	2	1	0
Name	UAD6	UAD5	UAD4	UAD3	UAD2	UAD1	UAD0	WKEN
R/W	R/W	R/W	R/W	R/W	R/W	R/W	R/W	R/W
POR	0	0	0	0	0	0	0	0

Bit 7~1 **UAD6~UAD0**: USB device address

Bit 0 **WKEN**: USB device Remote Wake-up function enable control
 0: disable USB remote wake-up function
 1: enable USB remote wake-up function

STALL Register

The STALL register shows whether the corresponding endpoint works properly or not. As soon as the endpoint works improperly, the related bit in the STALL register has to be set to "1" by application program. The contents of the STALL register will be cleared by USB reset signal.

Bit	7	6	5	4	3	2	1	0
Name	—	—	STL5	STL4	STL3	STL2	STL1	STL0
R/W	—	—	R/W	R/W	R/W	R/W	R/W	R/W
POR	—	—	0	0	0	0	0	0

Bit 7~6 Unimplemented, read as "0".

Bit 5~0 **STL5~STL0**: USB endpoint stall indication
 0: the corresponding USB endpoint is not stalled.
 1: the corresponding USB endpoint is stalled.

The STL bit is set by users when the related USB endpoint is stalled. These bits are cleared by USB reset signal. For endpoint 0 the stall bit STL0 can also be cleared by Setup Token event.

SIES Register

The SIES register is used to indicate the present signal state which the SIE receives and also control whether the SIE changes the device address automatically or not.

Bit	7	6	5	4	3	2	1	0
Name	NMI	—	CRCF	NAK	IN	OUT	ERR	ASET
R/W	R/W	—	R/W	R	R	R/W	R/W	R/W
POR	0	—	0	0	0	0	0	0

Bit 7 **NMI**: NAK token interrupt global mask control
 0: USB NAK token interrupt for all endpoints is masked.
 1: USB NAK token interrupt depends upon the individual mask control bits in NTIM register.
 If this bit is cleared to "0", the interrupt will not occur when the device sends a NAK token to the USB host. Otherwise, when this bit is set to "1" and the device sends a NAK token to the USB host, the NAK token interrupt will be generated or not depending upon the NAK token interrupt mask control bit NTIxM (x=0~5) in NTIM register.

Bit 6 Unimplemented, read as "0".

Bit 5 **CRCF**: Error indication flag during transfer
 0: No USB transfer error occurs.
 1: USB transfer error has occurred.
 The Error conditions include CRC, PID and incomplete token errors. The CRCF bit is set by hardware and is necessary to be cleared by firmware.

Bit 4 **NAK**: NAK signal indication flag
 0: No NAK signal is transmitted.
 1: NAK signal has been transmitted.
 The NAK bit is used to indicate that the SIE has transmitted a NAK signal to the USB host in response to the USB host IN or OUT token when the endpoint was accessed.

Bit 3 **IN**: IN token indication flag for Endpoint 0
 0: the received token packet is not IN token.
 1: the received token packet is IN token.
 The IN bit is used to indicate that for the USB endpoint 0 the current received signal from the USB host is IN token.

Bit 2 **OUT**: OUT token indication flag for Endpoint 0
 0: the received token packet is not OUT token.
 1: the received token packet is OUT token.
 The OUT bit is used to indicate that for the USB endpoint 0 the current received signal from the USB host is OUT token except for the OUT zero length token. The firmware clears this bit after the OUT data has been read. Also, this bit will be cleared by SIE after the next valid SETUP token is received.

- Bit 1** **ERR:** Error indication flag during endpoint 0 FIFO is accessed
 0: No error occurs during endpoint 0 FIFO is accessed.
 1: Error has occurred during endpoint 0 FIFO is accessed.
 The ERR bit is used to indicate that there are some errors occurred during endpoint 0 FIFO is accessed. This bit is set by SIE and should be cleared by firmware.
- Bit 0** **ASET:** Device Address update control
 0: device address is updated immediately when the AWR register is written.
 1: device address is updated after the device IN token data has been read (SETUP stage finished).
 The ASET bit is used to configure the SIE to automatically update the device address with the value stored in the AWR register. When this bit is set to "1" by firmware, the SIE will update the device address with the value stored in the AWR register after the USB host has successfully read the data from the device by IN token. Otherwise, when this bit is cleared to "0", the SIE will update the device address immediately after an address is written to the AWR register.

UMISC Register

The UMISC register contains the commands to control the desired endpoint FIFO action along with the status to show the condition of the desired endpoint FIFO. The UMISC register will be cleared by a USB reset signal.

Bit	7	6	5	4	3	2	1	0
Name	LEN0	READY	SETCMD	—	—	CLEAR	TX	REQUEST
R/W	R/W	R	R/W	—	—	R/W	R/W	R/W
POR	0	x	x	—	—	0	0	0

"x" means unknown.

- Bit 7** **LEN0:** zero-length packet indication flag for Endpoint 0
 0: no operation.
 1: a zero-length packet is sent from the USB host.
 If this bit is set to 1, it indicates that a 0-sized packet is sent from a USB host. This bit should be cleared by the application program or by the next valid SETUP token.
- Bit 6** **READY:** Endpoint FIFO Ready indication flag
 0: the desired endpoint FIFO is not ready.
 1: the desired endpoint FIFO is ready.
 This bit is used to indicate whether the desired endpoint FIFO is ready to operate or not.
- Bit 5** **SETCMD:** SETUP command indication flag
 0: the data in the endpoint 0 FIFO is not SETUP token.
 1: the data in the endpoint 0 FIFO is SETUP token.
 This bit is used to indicate whether the data in the Endpoint 0 FIFO is SETUP token or not. It is set by hardware and cleared by firmware.
- Bit 4~3** Unimplemented, read as "0".
- Bit 2** **CLEAR:** clear requested FIFO
 0: no operation.
 1: clear the requested endpoint FIFO.
 This bit is used by MCU to clear the requested FIFO, even if the FIFO is not ready. If user wants to clear the current requested Endpoint FIFO, the CLEAR bit should be set to "1" to generate a positive pulse with 2µs pulse width and then clear this bit to zero.

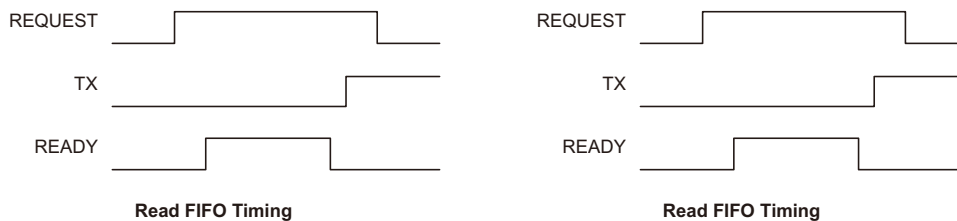
- Bit 1** **TX:** Direction of data transfer between the MCU and the endpoint FIFO
 0: the data transfer from the endpoint FIFO to the MCU (MCU read data from the endpoint FIFO).
 1: the data transfer from the MCU to the endpoint FIFO (MCU write data to the endpoint FIFO).
 This bit defines the direction of data transfer between the MCU and the endpoint FIFO. When the TX bit is set to high, this means that the MCU desires to write data to the endpoint FIFO. After the MCU write operation has been complete, this bit has to be cleared to zero before terminating FIFO request to indicate the end of data transfer. For a MCU read operation, this bit has to be cleared to zero to show that the MCU desires to read data from the endpoint FIFO and has to be set to high before terminating FIFO request to indicate the end of data transfer after the completion of MCU read operation.
- Bit 0** **REQUEST:** FIFO request control
 0: no operation.
 1: Request the desired FIFO.
 This bit is used to request the operation of the desired FIFO. After selecting the desired endpoint, the FIFO can be requested by setting this bit to high. After completion, this bit has to be cleared to zero.

The MCU can communicate with the endpoint FIFO by setting the corresponding registers, whose addresses are listed in the following table. After reading the current data, the next data will show after 2 μ s, used to check the endpoint FIFO status and responds to the MISC register, if a read/write action is still being implemented.

Some timing constrains are listed here. By setting the MISC register, the MCU can perform reading, writing and clearing actions. There are some examples shown in the following for the endpoint FIFO reading, writing and clearing.

Actions	MISC Setting Flow and Status
Check whether FIFO can be read or not	00H→01H→delay 2 μ s, check 41H (ready) or 01H (not ready)→00H
Check whether FIFO can be written or not	02H→03H→delay 2 μ s, check 43H (ready) or 03H (not ready)→02H
Read FIFO sequence	00H→01H→delay 2 μ s, check 41H→read* from FIFO register and check not ready (01H)→03H→02H
Write FIFO sequence	02H→03H→delay 2 μ s, check 43H→write* to FIFO register and check not ready (03H)→01H→00H
Read 0-sized packet sequence from FIFO	00H→01H→delay 2 μ s, check 81H→clear LEN0 (01H)→03H→02H.
Write 0-sized packet sequence to FIFO	02H→03H→delay 2 μ s→01H→00H.

Note *: There are 2 μ s existing between 2 reading actions or between 2 writing actions.



SETIO Register

The SETIO register is used to configure the endpoint FIFO as IN pipe or OUT pipe.

Bit	7	6	5	4	3	2	1	0
Name	—	—	SETIO5	SETIO4	SETIO3	SETIO2	SETIO1	DATATG
R/W	—	—	R/W	R/W	R/W	R/W	R/W	R/W
POR	—	—	1	1	1	1	1	0

Bit 7~6 Unimplemented, read as "0".

Bit 5~1 **SETIO5~SETIO1**: Endpoint 5 FIFO ~ Endpoint FIFO1 pipe direction control.
 0: the corresponding endpoint FIFO is configured as OUT pipe.
 1: the corresponding endpoint FIFO is configured as IN pipe.

If the related SETIO bit is set to "1", the corresponding endpoint FIFO is configured as IN pipe for IN token operation. Otherwise, the corresponding endpoint FIFO is configured as OUT pipe for OUT token operation. The purpose of this function is to avoid the USB host from abnormally sending only an IN token or OUT token and disable the related endpoint.

Bit 0 **DATATG**: DATA0 toggle bit
 0: no operation.
 1: DATA0 will be sent first.

As the USB specification defined, when the USB host sends a "Set Configuration" SETUP token, the Data pipe should send the DATA0 (Data toggle) first. Therefore, when the USB device receives a "Set Configuration" SETUP token, user needs to set DATATG bit to "1" and then clear it to zero after a 2μs delay to generate a positive pulse with 2μs pulse width to make sure that the next data will send a DATA0 first.

FIFO0~FIFO5 Registers

The FIFO0~FIFO5 Registers are used for data transactions between the USB device and the USB host. The MCU reads data from or writes data to the FIFOs via the application program to complete data interchange. For "Interrupt transfer" it is supported by FIFO0~FIFO2 and FIFO4, while it is supported by FIFO3 and FIFO5 for "Bulk transfer".

Label	Type	POR	UMISC Setting Flow and Status
FIFO0	R/W	xxxx xxxx	Data pipe for endpoint 0, depth = 8 bytes
FIFO1	R/W	xxxx xxxx	Data pipe for endpoint 1, depth = 8 bytes
FIFO2	R/W	xxxx xxxx	Data pipe for endpoint 2, depth = 8 bytes
FIFO3	R/W	xxxx xxxx	Data pipe for endpoint 3, depth = 64 bytes
FIFO4	R/W	xxxx xxxx	Data pipe for endpoint 4, depth = 8 bytes
FIFO5	R/W	xxxx xxxx	Data pipe for endpoint 5, depth = 64 bytes

"x" means unknown.

UIC Register

The UIC register is used to control the interrupt request for each endpoint. Interrupts can be enabled or disabled independently if the corresponding endpoint FIFO pipes are enabled.

Bit	7	6	5	4	3	2	1	0
Name	—	—	EU5I	EU4I	EU3I	EU2I	EU1I	EU0I
R/W	—	—	R/W	R/W	R/W	R/W	R/W	R/W
POR	—	—	0	0	0	0	0	0

Bit 7~6 Unimplemented, read as "0".

Bit 5~0 **EU5I~EU0I**: USB Endpoint 5 ~ Endpoint 0 interrupt control as being accessed.

0: disable the corresponding endpoint interrupt as it is accessed.

1: enable the corresponding endpoint interrupt as it is accessed.

If the related Endpoint FIFO pipe is enabled and the corresponding Endpoint interrupt is enabled, the USB interrupt for endpoint access will occur. Then an interrupt signal pulse will be generated sent to MCU to get the attentions from the host MCU.

NTIM Register

The NTIM register is used to control the NAK token interrupt for each endpoint. The NAK token interrupt can be masked independently by controlling the NTIM register if the NAK token interrupt global mask control NMI in SIES register is set to 1.

Bit	7	6	5	4	3	2	1	0
Name	—	—	NTI5M	NTI4M	NTI3M	NTI2M	NTI1M	NTI0M
R/W	—	—	R/W	R/W	R/W	R/W	R/W	R/W
POR	—	—	0	0	0	0	0	0

Bit 7~6 Unimplemented, read as "0".

Bit 5~0 **NTI5M~NTI0M**: USB Endpoint 5 ~ Endpoint 0 NAK Token Interrupt Mask control.

0: the corresponding endpoint NAK token interrupt is not masked.

1: the corresponding endpoint NAK token interrupt is masked.

If the NAK Token Interrupt global mask control is set to "1" and the corresponding Endpoint NAK token interrupt is not masked, the NAK token interrupt will occur when the USB device sends a NAK token to the USB host. Then an interrupt signal pulse will be generated sent to the host MCU to get the attentions from the host MCU.

PIPE Register

The PIPE register is used to control that the FIFO pipe for each endpoint is enabled or disable. The endpoint access interrupt can be controlled independently by configuring the UIC register if the corresponding Endpoint FIFO pipe is enabled.

Bit	7	6	5	4	3	2	1	0
Name	—	—	EP5E	EP4E	EP3E	EP2E	EP1E	—
R/W	—	—	R/W	R/W	R/W	R/W	R/W	—
POR	—	—	0	0	0	0	0	—

Bit 7~6 Unimplemented, read as "0".

Bit 5~1 **EP5E~EP1E**: USB Endpoint 5 ~ Endpoint 0 FIFO pipe enable control.

0: the corresponding Endpoint FIFO Pipe is disabled.

1: the corresponding Endpoint FIFO Pipe is enabled.

If the corresponding Endpoint FIFO pipe is disabled, the read/write operations to the related Endpoint FIFO Pipe are not available. If the corresponding Endpoint FIFO Pipe and the interrupt are both enabled, the related USB Endpoint interrupt will be generated as the interrupt trigger events occur. Otherwise, if the Endpoint FIFO Pipe or the Endpoint interrupt is disabled, the corresponding Endpoint interrupt will not be generated.

Bit 0 Unimplemented, read as "0".

USB Interface Suspend Mode and Wake-up

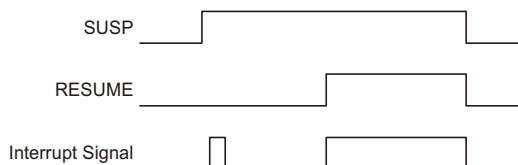
USB Suspend Mode

The MCU and USB Module are powered down independently of each other. The method of powering down the MCU is covered in the previous MCU section of the datasheet. The USB Module must be powered down before the MCU is powered down.

If there is no signal on the USB bus for over 3ms, the devices will go into a suspend mode. The Suspend indication bit SUSP, bit 0 of the USC register, will be set to "1" and a USB interrupt will be generated to indicate that the device should jump to the suspend state to meet the 500μA USB suspend current specification. In order to meet the 500μA suspend current, the firmware should disable the USB clock by clearing the USB clock enable control bit USBCKEN in the UCC register to "0." Also the USB PLL circuitry control bits known as PLL should be set to 1 to disable the USB PLL function. The suspend current is about 400μA.

USB Host Wake-up

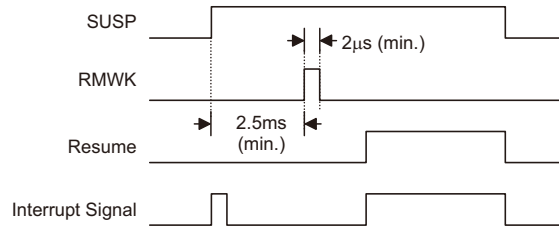
When the resume signal is asserted by the USB host, the USB device will wake up the MCU with a USB interrupt and the Resume indication bit RESUME in the USC register will be set. In order to make the device function properly, the program must set the USBCKEN bit in the UCC register to "1" and clear the PLL bit in the USC register to "0". When the resume signal is de-asserted by the USB host, the USB device actually leaves the suspend mode and the USB host will communicate with the USB device. The SUSP bit will be cleared as well as the RESUME bit when the USB device really leaves the suspend mode. So when the MCU is detecting the Suspend bit, the Resume bit should be stored and taken into consideration. The following diagram shows the relationship between the SUSP and RESUME bits and interrupt signal.



Suspend and Host Wake-up

USB Remote Wake-up

As the device has a remote wake-up function, it can wake up the USB Host by sending a wake-up pulse by setting the RMWK bit in the USC register to "1" for 2 μ s and then setting the RMWK bit to "0". Once the USB Host receives a wake-up signal from the device, it will send a Resume signal to the device. The timing is as follows:

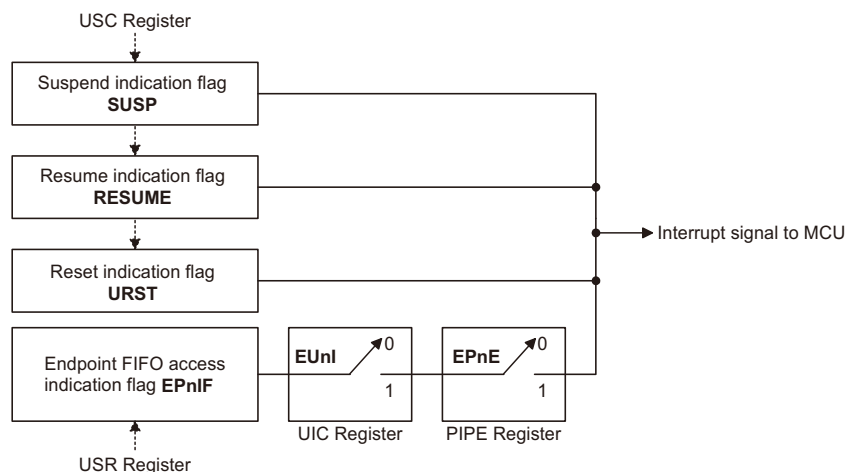


Suspend and Remote Wake-up

USB Interrupt Structure

Several individual USB conditions can generate a USB interrupt. When these conditions exist, an interrupt pulse will be generated to get the attention of the microcontroller. These conditions are the USB suspended, USB resume, USB reset and USB endpoint FIFO access events. When the USB interrupt caused by any of these conditions occurs, if the corresponding interrupt control in the host MCU is enabled and the stack is not full, the program will jump to the corresponding interrupt vector where it can be serviced before returning to the main program.

For the USB Endpoint FIFO access event, there are the corresponding indication flags to indicate which endpoint FIFO is accessed. As the Endpoint FIFO access flag is set, it will generate a USB interrupt signal if the associated Endpoint FIFO pipe and interrupt control are both enabled. The Endpoint FIFO access flags should be cleared by the application program. As the USB suspended, USB resume or USB reset condition occurs, the corresponding indication flag, known as SUSP, RESUME and URST bits, will be set and a USB interrupt will directly generated without any associated interrupt control being enabled. The SUSP, RESUME and URST bits are read only and set or cleared by the USB SIE. For a USB interrupt occurred to be serviced, in addition to the bits for the corresponding interrupt enable control in USB module being set, the global interrupt enable control and the related interrupt enable control bits in the host MCU must also be set. If these bits are not set, then no interrupt will be serviced.



USB Interrupt Structure

Digital to Analog Converter – DAC

The device includes a 12-bit Digital to Analog Converter function. This function allows digital data contained in the device to generate audio signals.

Operation

The data to be converted is stored in two registers DAL and DAH. The DAH register stores the highest 8-bits, DA11~DA4, while DAL stores the lowest 4-bits, DA3~DA0. An additional control register, DACTRL, provides overall DAC on/off control in addition to a 3-bit 8-level volume control. The DAC output is channeled to pin AUD which is pin-shared with I/O pin PA2. When the DAC is enabled by setting the DACEN bit high, then the original I/O function will be disabled, along with any pull-high resistor options. The DAC output reference voltage is the power supply voltage VDD.

DAH Register

Bit	7	6	5	4	3	2	1	0
Name	DA11	DA10	DA9	DA8	DA7	DA6	DA5	DA4
R/W	R/W	R/W	R/W	R/W	R/W	R/W	R/W	R/W
POR	0	0	0	0	0	0	0	0

Bit 7~0 **DA11~DA4:** Audio Output DAC high byte data.
 0: USB reset signal can no reset the MCU
 1: USB reset signal will reset the MCU

DAL Register

Bit	7	6	5	4	3	2	1	0
Name	DA3	DA2	DA1	DA0	—	—	—	—
R/W	R/W	R/W	R/W	R/W	—	—	—	—
POR	0	0	0	0	—	—	—	—

Bit 7~4 **DA3~DA0:** Audio Output DAC low byte data.
 Bit 3~0 Unimplemented, read as "0".

DACTRL Register

Bit	7	6	5	4	3	2	1	0
Name	VOL2	VOL1	VOL0	—	—	—	—	DACEN
R/W	R/W	R/W	R/W	—	—	—	—	R/W
POR	0	0	0	—	—	—	—	0

Bit 7~5 **VOL2~VOL0:** Audio Output Volume control.
 The audio output is at maximum volume if these bits are set to 111B while the audio output is at minimum volume if these bits are set to 000B.

Bit 4~1 Unimplemented, read as "0".

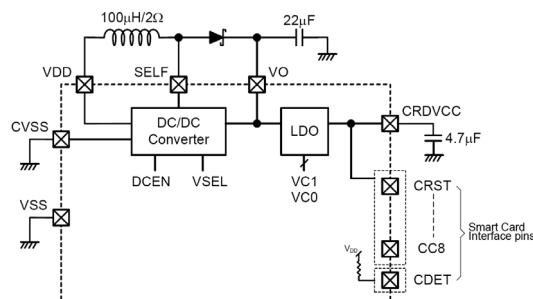
Bit 0 **DACEN:** DAC enable Control
 0: DAC is disabled
 1: DAC is enabled

DC/DC Converter and LDO

The device contains a DC/DC Converter and an LDO to provide the power supply for the Smart Card interface pins and the external Smart Card.

The DC/DC Converter is a PFM step-up DC/DC converter with high efficiency and low ripple. It requires only three external components to provide an output voltage of either 3.8V or 5.5V selected by the DC/DC output voltage selection bit VSEL in the DC2DC register. The DC/DC voltage output is connected to an external pin as well as being connected to the LDO input. It also contains an enable control bit, DCEN, in the DC2DC register to reduce power consumption when in the power down mode. If the Smart Card voltage output is switched to 0V by clearing the selection bits VC [1:0] in the CCR register, the DC/DC converter will automatically be turned off even if the enable control bit DCEN is set to "1".

The LDO is a three-terminal high current low voltage dropout regulator with over current protection. It supports three output voltages of 1.8V, 3.0V or 5.0V selected by the Smart Card Voltage selection bits VC1 and VC0 in the CCR register. It can deliver a minimum output current of 35mA, 55mA and 55mA when the LDO output voltage is 1.8V, 3.0V and 5.0V respectively.



DC2DC Register

Bit	7	6	5	4	3	2	1	0
Name	—	—	—	—	—	—	DCEN	VSEL
R/W	—	—	—	—	—	—	R/W	R/W
POR	—	—	—	—	—	—	0	0

Bit 7~2 Unimplemented, read as "0".

Bit 1 **DCEN:** DC/DC enable control
 0: DC/DC converter disabled
 1: DC/DC converter enabled

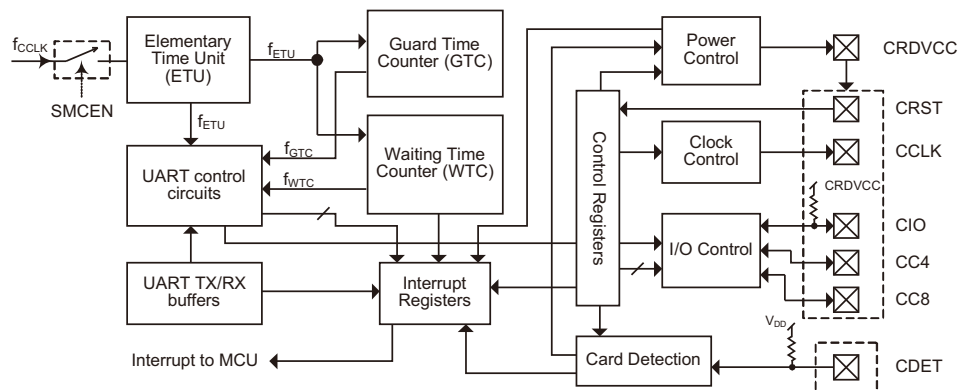
This bit is used to control the DC/DC converter function. If this bit is set to "1", the DC/DC output voltage is selected by the VSEL selection bit. If this bit is cleared to 0, the DC/DC converter function is disabled and the output voltage is equal to the value of $(V_{DD} - V_{DIODE})$.

Bit 0 **VSEL:** DC/DC output voltage selection
 0: DC/DC output voltage is 3.8V
 1: DC/DC output voltage is 5.5V

Smart Card Interface

The device contains a Smart Card Interface compatible with the ISO 7816-3 standard. This interface includes the Card Insertion/Removal detection, UART interface control logic and data buffers, Power control circuits, internal Timer Counters and control logic circuits to perform the required Smart Card operations. The Smart Card interface acts as a Smart Card Reader to facilitate communication with the external Smart Card. The overall functions of the Smart Card interface is control by a series of registers including control and status registers.

As the complexity of ISO7816-3 standard data protocol does not permit comprehensive specifications to be provided in this datasheet, the reader should therefore consult other external information for a detailed understanding of this standard.



Interface Pins

To communicate with an external Smart Card, the internal Smart Card interface has a series of external pins known as CRDVCC, CRST, CCLK, CIO, CC4, CC8 and CDET. The CRDVCC pin is the power supply pin of the external Smart Card and the Smart Card interface pins described above except the CDET pin. It can output several voltage levels as selected by the VC1 and VC0 selection bits. The CRST pin is the reset output signal which is used to reset the external Smart Card. Together with the internal CRST control bit the MCU can control the CRST pin level by writing specific data to the CRST bit and obtain the CRST pin status by reading the CRST bit. The CCLK pin is the clock output signal used to communicate with the external Smart Card together with the serial data pin, CIO. The operation of CCLK and CIO can be selected as the UART mode automatically driven by the UART control circuits, or the Manual mode controlled by configuring the internal CCLK and CIO bits respectively by the application program. The CDET pin is the external Smart Card detection input pin. When the external Smart Card is inserted or removed, it can be detected and generate an interrupt signal which is sent to MCU if the corresponding interrupt control bit is enabled. The CC4 and CC8 pins are used as I/O pins and are controlled by the corresponding CC4 and CC8 bits.

Card Detection

If an external Smart Card is inserted, the internal card detector can detect this insertion operation and generate a Card insertion interrupt. When the Card is present and detected, the power-on sequence for the external Smart Card should be activated by the application programs to supply power for the external Smart Card. Similarly if the Card is removed, the internal card detector can also detect the removal and consequently generate a Card removal interrupt. Like the Card insertion operation, the Card Removal deactivation procedure defined in the ISO 7816-3 standard should be activated by the application programs.

The card detector can support two kinds of card detect switch mechanisms. One is a normally open switch mechanism when the card is not present and the other is a normally closed switch mechanism. After noting which card detect switch mechanism type is used, the card switch selection should be configured by setting the selection bit CDET in the CCR Register to correctly detect the Card presence. No matter what type of the card switch is selected by configuring the CDET bit, the Card Insertion/Removal Flag, CIRF, in the CSR register will be set to "1" when the card is actually present on the CDET pin, and clear to "0" by the application program. Note that there is no hardware de-bounce circuits in the card detector. Any change of the CDET pin level will cause the CIRF bit to change. The required de-bounce time should be handled by the application program.

There is a pull high resistor integrated in the card detector. A configuration option can determine whether the pull high resistor is internally connected to the CDET pin.

Internal Time Counter – ETU, GTC, WTC

For proper data transfer, some timing purposed setting procedures must be executed before the Smart Card Interface can begin to communicate with the external card. There are three internal counters named Elementary Time Unit (ETU), Guard Time Counter (GTC) and Waiting Time Counter (WTC) which are used for the timing related functions in the Smart Card interface operation.

Elementary Time Unit – ETU

The Elementary Time Unit (ETU) is an 11-bit up-counting counter and generates the clock, denoted as f_{ETU} to be used as the operating frequency for the UART transmission and reception in the Smart Card interface. The clock source of the ETU named as f_{CLK} comes from the f_{CRD} clock and the frequency of f_{CLK} can be f_{CRD} or $f_{CRD}/2$ which is selected using the SMF bit in the MISC0 register. The f_{CRD} clock is derived from the high speed clock, and the f_{CRD} frequency can be equal to the frequency of f_M , $f_M/2$, $f_M/3$ or $f_M/4$ selected by the Smart Card clock source selection bits, CRDCKS1 and CRDCKS0. The data transfer of the UART interface is a character frame based protocol, which is basically consists of a Start bit, 8-bit data and a Parity bit. The time period t_{ETU} ($1/f_{ETU}$), generated by the ETU, is the time unit for UART character bit. There are two registers related to the ETU known as the low byte ETU register CETU0 and the high byte ETU register CETU1, which store the expected contents of the ETU. Each time the high byte ETU register CETU1 is written, the ETU will reload the new written value and restart counting. The elementary time unit t_{ETU} is obtained from the following formula.

$$t_{ETU} = \frac{F}{D} \times \frac{1}{f}$$

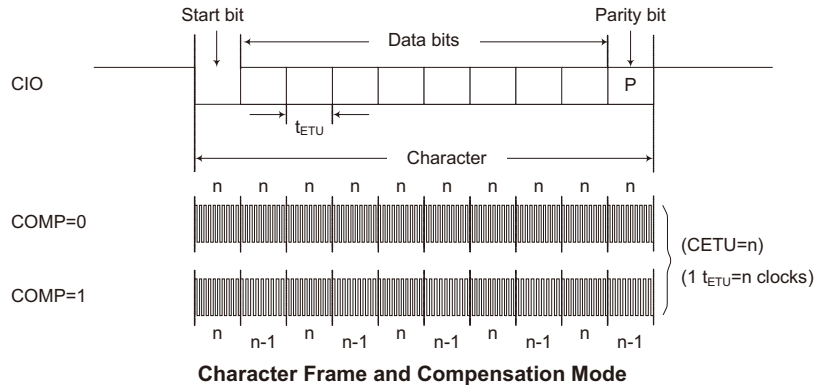
F: clock rate conversion integer

D: baud rate adjustment integer

f: clock rate of Smart Card

The values of F and D, as they appear in the above formula, will be obtained from the Answer-to-Reset packet sent from the external Smart Card to the Smart Card interface, the first time the external Smart Card is inserted. When the Smart Card interface receives this information, the values which should be written into the CETU0 and CETU1 can be calculated by F/D. As the value of the ETU registers is obtained by the above formula, the calculation results of the value may not be an integer. If the calculation result is not an integer and is less than the integer n but greater than the integer (n-1), either the integer n or (n-1) should be written into the CETU0 and CETU1 registers depending upon whether the result is closer to n or (n-1). The integer n mentioned here is a decimal. If the calculation result is close to the value of (n-0.5), the compensation mode should be enabled by setting the compensation enable control bit COMP in the CETU1 register to 1 for successful data transfer. When the result is close to the value of (n-0.5) and the compensation mode is enabled, the value written into the CETU0 and CETU1 registers should be n and then the ETU will generate the time unit sequence with n clock cycles and next (n-1) clock cycles alternately and so on. This results in an average time unit of (n-0.5)

clock cycles and allows the time granularity down to a half clock cycle. Note that the ETU will reload the ETU registers value and restart counting at the time when the Start bit appears in the UART mode.



Guard Time Counter – GTC

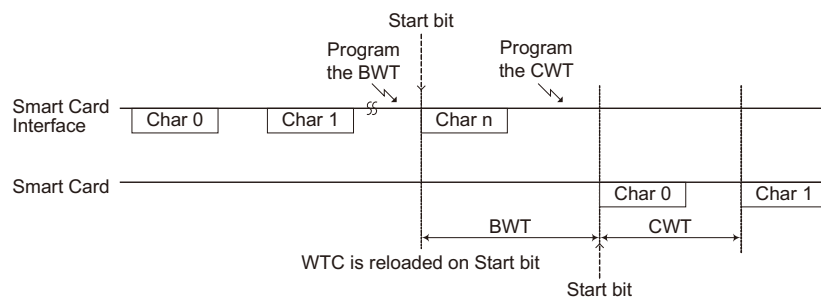
The Guard Time Counter (GTC) is a 9-bit up-counting counter and generates the minimum time duration known as a character frame denoted as t_{GTC} between two successive characters in a UART transmission. The clock source of the GTC comes from the ETU named f_{ETU} . The character transmission rate of the UART interface is controlled by t_{GTC} generated by the GTC. There are two registers related to the GTC known as the low byte GTC register, CGT0, and the high byte GTC register, CGT1, which store the expected value of the GTC. The GTC value will be reloaded at the end of the current guard time period. Note that the guard time between the last character received from the Smart Card and the next character transmitted by the Smart Card interface (Smart Card reader) should be managed by the application program.

Waiting Time Counter – WTC

The Waiting Time Counter (WTC) is a 24-bit down-counting counter and generates a maximum time duration denoted as t_{WTC} for the data transmission. The clock source of the WTC comes from the ETU named f_{ETU} . The data transfer is categorized into 2 types. One is the Character transfer which means each data transmission or reception is one character while the other is the Blocks transfer which means each data transmission or reception is more than one character. The information related to the data transfer type or the number of the characters to be transferred is contained in the Answer-to-Reset packet.

There are three data registers for the WTC known as the low byte WTC register CWT0, the middle byte WTC register CWT1 and the high byte WTC register CWT2, which store the expected WTC values. The WTC can be used in both UART mode and Manual mode and can reload the value at specific conditions. The function of the WTC is controlled by the WTEN bit in the CCR register or by a configuration option. When the UART interface is set to be operated in the UART mode and the WTC is enabled, the updated CWT value will be loaded into the WTC as the Start bit is detected. If the UART interface is set to be operated in the Manual mode and the WTC is enabled, the updated CWT value will be loaded into the WTC. Regardless of whether it is in the UART mode or Manual mode, if the WTEN bit is cleared to "0", the updated CWT value will not be loaded into the WTC until the WTEN bit is again set to 1 and the WTC underflows from the current loaded value.

When the transfer type is configured as a Character transfer, the WTC will generate the maximum timeout period of the Character Waiting Time (CWT). If the transfer type is configured as a Block transfer, the WTC will generate the Character Waiting Time (CWT) except for the last character. The Block Waiting Time (BWT) should be loaded into the WTC data registers before the Start bit of the last transmitted character occurs. As the Start bit of the last transmitted character occurs, the BWT value will be load into the WTC. Then the Smart Card may be expected to transmit data to the Smart Card interface in the BWT duration. If the Smart Card does not transmit any data characters, the WTC will underflow. When the WTC underflows, the corresponding request flag, WTF, in the CSR register will be set. The Waiting Time Underflow pending flag, WTP, in the CIPR register, will also be set if the interrupt enable control bit, WTE, in the CIER register is set. Then an interrupt will be generated to notify the MCU that the Smart Card has not responded to the Smart Card reader. Note that if the WTC value is set to zero, the WFT bit will be equal to "1".



UART Interface

Data transfer with the external Smart Card is implemented into two operating modes. One is the UART mode while the other is the Manual mode. The data transfer mode is selected by the UART mode selection bit, UMOD, in the CCR register. When the UMOD bit is set to "1", the UART mode is enabled and data transfer operates in the UART mode. Otherwise, data transfer operates in the Manual mode if the UMOD bit is set to "0". The UART interface is a half-duplex interface and communicates with the external Smart Card via the CCLK and CIO pins. The CIO pin can be selected to be connected to a pull high resistor by a configuration option. After a reset condition the UART interface is in the reception mode but the UART mode is disabled. When the UART mode is selected, data transfer is driven by the UART circuits automatically through the CCLK and CIO pins.

There are two data registers related to data transmission and reception, CTXB and CRXB, which store the data to be transmitted and received respectively. If a character is written into the CTXB register in the UART mode, the UART interface will automatically switch to the transmission mode from the reception mode after a reset. When the UART transmission or reception has finished, the corresponding request flag named TXCF or RXCF is set to "1". If the transmit buffer is empty, the transmit buffer empty flag, TXBEF, will be set to "1".

The UART interface supports a parity generator and a parity check function. As the parity error occurs during a data transfer, the corresponding request flag named, PARF, in the CSR register will be set to "1". Once the PARF bit is set to "1", the Parity error pending flag PARP in the CIPR register will be set to "1" if the relevant interrupt control bit is enabled. Then an interrupt signal will be generated and sent to the MCU.

There is a Character Repetition function supported by the UART interface when a parity error occurs. The Character repetition function is enabled by setting the CREP bit to "1" and then the repetition function is activated when the parity error occurs during data transfers. The repetition times can be selected to be 4 or 5 times by a configuration option. When the CREP bit is set to "1" and the repetition times is set to 4 times, the UART interface, if in the transmission mode, will transmit the data repeatedly for 4 times at most when an error signal occurs. If the data transmitted by the UART interface is received by the Smart Card receiver without a parity error during these 4 transmissions, the

transmission request flag, TXCF, of the UART interface will be set to "1" and the PARF bit will be cleared to "0". If the UART interface is informed that there is still an error signal during the 4 transmissions, the parity error flag PARF of the UART interface will be set to "1" at the 5th transmission but the transmission request flag TXCF will not be set. If the UART interface is in the reception mode, it will inform the Smart Card transmitter that there is a parity error for at most 4 times. If the data transmitted by the Smart Card transmitter is received by the UART interface without a parity error during the 4 receptions, the reception request flag, RXCF, of the UART interface will be set to "1" and the PARF bit will be cleared to "0". If the UART interface informs the Smart Card that there is still an error signal during the 4 receptions, the parity error flag, PARF, of the UART interface will be set to "1" at the 5th reception as well as the transmission request flag, RXCF.

If the CREP bit is set to "0" and the UART interface is in the reception mode, both the PARF and RXCF bits will be set to "1" when the data with parity error has been received but the character repetition will not be activated. If the UART interface is in the transmission mode and the CREP bit is set to "0", it acts as a normal transmitter and the TXCF bit is set to "1" after the data has been transmitted. It has no effect on PARF bit.

When data is selected to be transferred in the Manual mode by setting the UMOD bit to "0", the data is controlled by the control bit, CIO, in the CCCR register. The value of the CIO bit will be reflected immediately on the CIO pin in the Manual mode. Note that in the Manual mode the character repetition functions is not available as well as the related flags and all the data transfer is handled by the application program. The clock used to drive the external Smart Card that appears on the CCLK pin can be the f_{CLK} clock which is derived from the internal clock source named as the f_{CRD} clock or the control bit, CCLK, in CCCR register and selected by the Smart Card selection bit, CLKSEL, in the CCCR register. When CLKSEL is set to "1" to select the clock source for the Smart Card to be f_{CLK} , a software control bit, SMF, can determine whether the clock output on the CCLK pin, which comes from the f_{CRD} clock, is moreover to be divided by 2 or not. If users wish to handle the CCLK clock manually, the CLKSEL bit should first be set to 0 and then the value of the CCLK bit will be present on the CCLK pin.

When the Smart Card is first inserted, the data direction convention is sent first in the Answer-to-Reset packet to inform the Smart Card interface whether the MSB of the data is sent first or the LSB is sent first. If the direction convention used by the Smart Card is the same as the convention used by the Smart Card interface, the UART interface will generate a reception interrupt if the reception interrupt is enabled without a parity error flag. Otherwise, the UART interface will generate a reception interrupt and the parity error flag will be asserted. By checking the parity error flag the Smart Card interface can know if the data direction convention is correct or not.

Power Control

When the Smart Card is first inserted and detected, the power-on sequence for the external Smart Card should be activated by the application programs to supply power to the external Smart Card. All the information necessary for the Smart Card interface to communicate with the external Card is contained in the Answer-to-Reset packet including the data transfer type (Character or Blocks), the data direction convention (MSB or LSB first), the clock rate information (ETU, GTC or WTC), etc. The voltage level supplied to the Smart Card is also defined in the Answer-to-Reset packet. The Smart Card power supply voltage level is generated by the LDO and selected by the Smart Card Power Supply voltage selection bits VC1 and VC0 in the CCR register. When the external Smart Card is inserted, the application program should set the CRDVCC pin to the expected voltage level defined in the Answer-to-Reset packet. Similarly, the power deactivation procedure defined in the ISO 7816-3 standard should also be properly arranged by the application programs when the external Smart Card is removed. After the external Smart Card is removed, the Smart Card Interface Circuitry enable control bit, CVCC, in the CCCR Register will be automatically cleared to zero to prevent the Smart Card Interface module from being re-modified. The CRDVCC pin voltage level and the related Smart Card interface register contents will remain unchanged but the relevant Smart Card Interface pins

including CRST, CCLK, CIO, CC4 and CC8 pins will be kept at a low level when the external Card is removed.

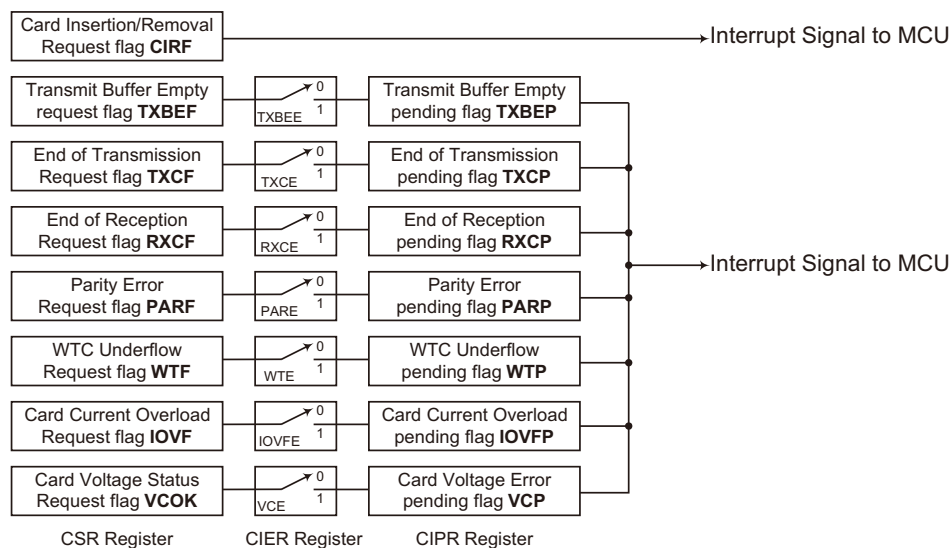
The Power Control circuitry provides the Card voltage and current indicators to avoid malfunctions. When the Card voltage is within its specified range, the Card Voltage flag VCOK will be set to "1". If the Card is not in the specified range, the VCOK flag will be cleared to "0" to indicate that the Card voltage is not within the specified range. As the VCOK bit changes from 1 to 0, the corresponding pending flag named VCP in CIPR register will be set to "1" if the Card Voltage error interrupt control VCE in the CIER register is enabled.

When the current consumed by the external Smart Card is within the range specified in the ISO 7816-3 standard, the Card Current Overload flag IOVF will remain at a "0" value. If the Card current is not within the specified range, the IOVF flag will be set to "1" to indicate that the Card Current is too high. As the IOVF bit is set to 1, the relevant pending flag, IOVFP, in the CIPR register will also be set to 1 if the Card Current Overload interrupt control enable bit, IOVFE, in the CIER register is enabled.

Smart Card Interrupt Structure

There are several conditions for the Smart Card that to generate a Smart Card interrupt. When these conditions exist, an interrupt pulse will be generated to get the attention of the microcontroller. These conditions are a Smart Card Insertion/Removal, a Smart Card Voltage error, a Smart Card Current Overload, a Waiting Time Counter Underflow, a Parity error, an end of a Character Transmission or Reception and an empty Transmit buffer. When a Smart Card interrupt is generated by any of these conditions, then if the corresponding interrupt enable control bit in the host MCU is enabled and the stack is not full, the program will jump to the corresponding interrupt vector where it can be serviced before returning to the main program.

For Smart Card interrupt events, except for Card Insertion/Removal events, there are corresponding pending flags which can be masked by the corresponding interrupt enable control bits. When the related interrupt enable control is disabled, the corresponding interrupt pending flag will not be affected by the request flag and no interrupt will be generated. If the related interrupt enable control is enabled, the relevant interrupt pending flag will be affected by the request flag and then the interrupt will be generated. The pending flag register CIPR is read only and once the pending flag is read by the application program, it will be automatically cleared while the related request flag should be cleared by the application program manually.



Smart Card Interrupt Structure

When a Smart Card Insertion/Removal event occurs, the Card Insertion/Removal request flag, CIRF, will be set or clear depends on the presence of a card, and a Smart Card Insertion/Removal interrupt will be directly generated without any associated interrupt control being enabled.

For a Smart Card interrupt occurred to be serviced, in addition to the bits for the corresponding interrupt enable control in the Smart Card interface being set, the global interrupt enable control and the related interrupt enable control bits in the host MCU must also be set. If these bits are not set, then no interrupt will be serviced.

Programming Considerations

Since the whole Smart Card interface is driven by the clock f_{CRD} which is derived from the high speed oscillator clock f_M , the Smart Card interface will not operate, even interface registers read/write operations, if the high speed oscillator clock f_M is stopped. For example, if the MCU clock source is switched to the low speed clock f_{SL} which comes from the low speed oscillator LXT or LIRC, then all operations related to the Smart Card interface are not performed.

Smart Card Interface Status and Control Registers

There are several registers associated with the Smart Card function. Some of the registers control the overall function of the Smart Card interface as well as the interrupts, while some of the registers contain the status bits which indicate the Smart Card data transfer situations, error conditions and power supply conditions. Also there are two registers for the UART transmission and reception respectively to store the data received from or to be transmitted to the external Smart Card.

Addresses	Name	POR State	Bit 7	Bit 6	Bit 5	Bit 4	Bit 3	Bit 2	Bit 1	Bit 0
50H	CCR	0000 0000	RSTCRD	CDET	VC1	VC0	UMOD	WTEB	CREP	CONV
51H	CSR	1000 0000	TXBEF	CIRF	IOVF	VCOK	WTF	TXCF	RXCF	PARF
52H	CCCR	0-xx x0x0	CLKSEL	—	CC8	CC4	CIO	CCLK	CRST	CVCC
53H	CETU1	0000 0001	COMP	—	—	—	—	ETU10	ETU9	ETU8
54H	CETU0	0111 0100	ETU7	ETU6	ETU5	ETU4	ETU3	ETU2	ETU1	ETU0
55H	CGT1	---- ---0	—	—	—	—	—	—	—	GT8
56H	CGT0	0000 1100	GT7	GT6	GT5	GT4	GT3	GT2	GT1	GT0
57H	CWT2	0000 0000	WT23	WT22	WT21	WT20	WT19	WT18	WT17	WT16
58H	CWT1	0010 0101	WT15	WT14	WT13	WT12	WT11	WT10	WT9	WT8
59H	CWT0	1000 0000	WT7	WT6	WT5	WT4	WT3	WT2	WT1	WT0
5AH	CIER	0-00 0000	TXBEE	—	IOVFE	VCE	WTE	TXCE	RXCE	PARE
5BH	CIPR	0-00 0000	TXBEP	—	IOVFP	VCP	WTP	TXCP	RXCP	PARP
5CH	CTXB	0000 0000	Smart Card Transmission Buffer (TB7~TB0)							
5DH	CRXB	0000 0000	Smart Card Reception Buffer (RB7~RB0)							

Smart Card Interface Register Summary

CCR Register

The CCR register contains the control bits for the Smart Card interface. Further explanation on each bit is given below:

Bit	7	6	5	4	3	2	1	0
Name	RSTCRD	CDET	VC1	VC0	UMOD	WTEN	CREP	CONV
R/W	R/W	R/W	R/W	R/W	R/W	R/W	R/W	R/W
POR	0	0	0	0	0	0	0	0

- Bit 7** **RSTCRD**: Reset control for the Smart Card interface
0: No Smart Card interface reset
1: Reset the Smart Card interface (except RSTC bit)
This bit is used to reset the whole Smart Card interface except the RSTCRD bit. It is set and cleared by application program.
- Bit 6** **CDET**: Card switch type selection
0: Switch is normally opened if no card is present
1: Switch is normally closed if no card is present
This bit is set and cleared by application program to configure the switch type of the card detector.
- Bit 5~4** **VC1~VC0**: Card voltage selection
00: Card voltage is equal to 0V
01: Card voltage is equal to 1.8V
10: Card voltage is equal to 3V
11: Card voltage is equal to 5V
These bits are set and cleared by application program to select the voltage level for the external Smart Card.
- Bit 3** **UMOD**: UART mode selection
0: data transfer in Manual mode.
1: data transfer in UART mode.
This bit is set and cleared by application program to configure the data transfer type. If it is cleared to 0, the CIO pin status is the same as the value of the CIO bit in the CCCR register. If it is set to 1, the CIO pin is driven by the internal UART control circuitry. Before the data transfer type is switched from Manual mode to UART mode, the CIO bit must be set to 1 to avoid a UART malfunction.
- Bit 2** **WTEN**: Waiting Time Counter (WTC) counting control
0: WTC tops counting.
1: WTC starts to count.
The WTEN bit is set and cleared by application program. When the WTEN bit is cleared to 0, a write access to the CWT2 register will load the value held in the CWT2~CWT0 registers into the WTC. If it is set to 1, the WTC is enabled and automatically reloaded with the value in CWT2~CWT0 at each start bit occurrence.
- Bit 1** **CREP**: Character Repetition enable control at parity error condition
0: no retry on parity error
1: automatically retry on parity error
The CREP bit is set and cleared by application program. When the CREP bit is cleared to 0, both the RXCF and PARF flags will be set on parity error in reception mode after the data is received while the PARF is set but the TXCF is cleared in the transmission mode. If the CREP bit is set to 1, the character retry will automatically be activated on parity error for 4 or 5 times depending upon the configuration option. In the transmission mode the character will be re-transmitted if the transmitted data is refused and then the parity error flag PARF will be set at 5th or 6th transmission but TXCF will not be set. In the reception mode if the received data has a parity error, the receiver will inform the transmitter for 4 or 5 times and then the PARF and RXCF flags will both be set at 5th or 6th reception.
- Bit 0** **CONV**: Data direction convention
0: LSB is transferred first. Sets up the direct convention: state H encodes value 1 and conveys the least significant bit first.
1: MSB is transferred first. Sets up the inverse convention: state L encodes value 1 and conveys the most significant bit first.
This bit is set and cleared by the application program to select if the data is LSB transferred first or MSB transferred first. When the direction convention is the same as the direction specified by the external Smart Card, only RXCF will be set to 1 without parity error. Otherwise, both RXCF and PARF will be set to 1 after the data is received.

CSR Register

The CSR register contains the status bits for the Smart Card interface. Further explanation on each bit is given below:

Bit	7	6	5	4	3	2	1	0
Name	TXBEF	CIRF	IOVF	VCOK	WTF	TXCF	RXCF	PARF
R/W	R	R	R	R	R	R/W	R	R/W
POR	1	0	0	0	0	0	0	0

- Bit 7** **TXBEF:** Transmission buffer empty request flag
0: transmission buffer is not empty
1: transmission buffer is empty
This bit is used to indicate if the transmit buffer is empty and is set or cleared by hardware automatically.
- Bit 6** **CIRF:** Card Insertion/Removal request flag
0: No card is present.
1: a Card is present
This bit is used to indicate if a card is present and is set or cleared by hardware automatically. This bit will trigger SCIRF bit synchronously.
- Bit 5** **IOVF:** Card Current Overload request flag
0: No Card Current overload
1: Card Current overload
The bit is set or cleared by hardware automatically and indicates whether the card current is overloaded.
- Bit 4** **VCOK:** Card Voltage status flag
0: Card Voltage is not in the specified range
1: Card Voltage is in the specified range
The bit is set or cleared by hardware automatically and indicates whether the card voltage is in the specified range.
- Bit 3** **WTF:** Waiting Time Counter (WTC) underflow request flag
0: the WTC does not underflow.
1: the WTC underflows.
This bit is set by hardware automatically and indicates if the WTC underflows, and clear by application program, which steps: clrWTEN, access CWT2, set WTEN.
- Bit 2** **TXCF:** Character transmission request flag
0: no character transmitted request
1: a character has been transmitted
The TXCF bit is set by hardware and cleared by application program. If the bit is set to 1, it indicates that the character has been transmitted.
- Bit 1** **RXCF:** Character Repetition request flag
0: no character received request
1: a character has been received
The RXCF bit is set by hardware automatically and cleared after a read access to the CRXB register by the application program. The RXCF bit will always be set to 1 when a character is received regardless of the result of the parity check. When the character has been received, the received data stored in the CRXB register should be moved to the data memory specified by users. If the contents of the CRXB register are not read before the end of the next character shifted in, the data stored in the CRXB register will be overwritten.
- Bit 0** **PARF:** Parity error request flag
0: no parity error request
1: parity error has been occurred
This bit is set by hardware automatically and cleared by the application program. When a character is received, the parity check circuits will check that the parity is correct or not. If the result of the parity check is not correct, the parity error request flag, PARF, will be set to 1. Otherwise, the PARF bit will remain at zero.

CCCR Register

The CCCR register contains the control bits of the Smart Card interface pins. Further explanation on each bit is given below:

Bit	7	6	5	4	3	2	1	0
Name	CLKSEL	—	CC8	CC4	CIO	CCLK	CRST	CVCC
R/W	R/W	—	R/W	R/W	R/W	R/W	R/W	R/W
POR	0	0	x	x	x	0	x	0

x: unknown

- Bit 7** **CLKSEL:** Smart Card Clock selection
0: The content of the CCLK bit is present on the external CCLK pin
1: The clock output on the external CCLK pin comes from the f_{CRD} clock
This bit is used to select the clock source on the external CCLK pin. It is set and cleared by application program. It is recommended that to activate the clock at a known level a certain value should be programmed into the CCLK bit before the CLKSEL bit is switched from 1 to 0.
- Bit 6** Unimplemented, read as "0"
- Bit 5** **CC8:** CC8 pin control
0: the status of the external CC8 pin is 0
1: the status of the external CC8 pin is 1
The bit is set and cleared by application program to control the external CC8 pin status. The value written into this bit will be present on the external CC8 pin. Reading this bit will return the status present on the CC8 pin.
- Bit 4** **CC4:** CC4 pin control
0: the status of the external CC4 pin is 0
1: the status of the external CC4 pin is 1
The bit is set and cleared by application program to control the external CC4 pin status. The value written into this bit will be present on the external CC4 pin. Reading this bit will return the status present on the CC4 pin.
- Bit 3** **CIO:** CIO pin control
0: the status of the external CIO pin is 0
1: the external CIO pin remains at an open drain condition
This bit is available only if the UMOD bit in the CCR register is cleared to 0 (Manual mode). It is set and cleared by application program to control the external CIO pin status in Manual mode. Reading this bit will return the status present on the CIO pin. A pull high resistor can be connected to the CIO pin determined by a configuration option.
- Bit 2** **CCLK:** CCLK pin control
0: the status of the external CCLK pin is 0
1: the status of the external CCLK pin is 1
This bit is available only if the UMOD bit in the CCR register is cleared to 0 (Manual mode). The bit is set and cleared by application program to control the external CCLK pin status in Manual mode. Reading this bit will return the current value in the register instead of the status present on the CCLK pin.
- Bit 1** **CRST:** CRST pin control
0: the status of the external CRST pin is 0
1: the status of the external CRST pin is 1
This bit is set and cleared by application program to control the external CRST pin status to be used to reset the external Smart Card. Reading this bit will return the present status of the CRST pin.
- Bit 0** **CVCC:** Smart Card Interface Circuitry enable control
0: Smart card interface circuitry is disabled
1: Smart card interface circuitry is enabled.
This bit is set and cleared by application program to control the Smart card interface module is switched on or off when the external Card is present. If the external Card is not present on the CDET pin, this bit is not available to control the Smart card interface circuitry and will automatically be cleared to 0 by hardware.

CETU Registers

The CETU registers, CETU1 and CETU0, contain the specific values determined by the formula described in the ETU section. It also includes a control bit of the Compensation function for the ETU time granularity. Note that the value of the ETU must be in the range of 001H to 7FFH. To obtain the maximum ETU decimal value of 2048, a 000H value should be written into the ETU10~ETU0 bits. Further explanation on each bit is given below:

Bit	7	6	5	4	3	2	1	0
Name	COMP	—	—	—	—	ETU10	ETU9	ETU8
R/W	R/W	—	—	—	—	R/W	R/W	R/W
POR	0	0	0	0	0	0	0	1

- Bit 7 **COMP**: Compensation function enable control
 0: Compensation function is disabled.
 1: Compensation function is enabled.
 This bit is set and cleared by application program used to control the Compensation function. The Compensation function has been described and more details can be obtained in the ETU section.
- Bit 6~3 Unimplemented, read as "0".
- Bit 2~0 **ETU10~ETU8**: bit 10~8 of the ETU value
 The bits are set and cleared by application program to modify the ETU values. Writing to the CETU1 register will reload the updated value into the ETU counter.

CETU0 Register

Bit	7	6	5	4	3	2	1	0
Name	ETU7	ETU6	ETU5	ETU4	ETU3	ETU2	ETU1	ETU0
R/W	R/W	R/W	R/W	R/W	R/W	R/W	R/W	R/W
POR	0	1	1	1	0	1	0	0

- Bit 7~0 **ETU7~ETU0**: bit 7~0 of the ETU value
 The bits are set and cleared by application program to modify the ETU values.

CGT Registers

The CGT registers named CGT1 and CGT0 store the specific GTC values obtained from the Answer-to-Reset packet described in the GTC section. Note that the GTC values must be in the range from 00CH to 1FFH. Further explanation on each bit is given below:

- CGT1 Register

Bit	7	6	5	4	3	2	1	0
Name	—	—	—	—	—	—	—	GT8
R/W	—	—	—	—	—	—	—	R/W
POR	0	0	0	0	0	0	0	0

Bit 7~1 Unimplemented, read as "0"

Bit 0 **GT8**: bit 8 of the GTC value

- CGT0 Register

Bit	7	6	5	4	3	2	1	0
Name	GT7	GT6	GT5	GT4	GT3	GT2	GT1	GT0
R/W	R/W	R/W	R/W	R/W	R/W	R/W	R/W	R/W
POR	0	0	0	0	1	1	0	0

Bit 7~0 **GT7~GT0**: bit 7~0 of the GTC value

The bits GT8~GT0 are set and cleared by application program to modify the GTC values. The updated GTC value will be loaded into the GTC counter at the end of the current guard time period.

CWT Registers

The CWT registers, CWT2, CWT1 and CWT0, store the specific WTC value obtained from the Answer-to-Reset packet described in the WTC section. Note that the WTC value must be in the range from 0x002580H to 0xFFFFFFFFH.

- CWT2 Register

Bit	7	6	5	4	3	2	1	0
Name	WT23	WT22	WT21	WT20	WT19	WT18	WT17	WT16
R/W	R/W	R/W	R/W	R/W	R/W	R/W	R/W	R/W
POR	0	0	0	0	0	0	0	0

Bit 7~0 **WT23~WT16**: bit 23~16 of the value

- CWT1 Register

Bit	7	6	5	4	3	2	1	0
Name	WT15	WT14	WT13	WT12	WT11	WT10	WT9	WT8
R/W	R/W	R/W	R/W	R/W	R/W	R/W	R/W	R/W
POR	0	0	1	0	0	1	0	1

Bit 7~0 **WT15~WT8**: bit 15~8 of the WTC value

• CWT0 Register

Bit	7	6	5	4	3	2	1	0
Name	WT7	WT6	WT5	WT4	WT3	WT2	WT1	WT0
R/W	R/W	R/W	R/W	R/W	R/W	R/W	R/W	R/W
POR	1	0	0	0	0	0	0	0

Bit 7~0 **WT7~WT0**: bit 7~0 of the WTC value

The bits WT23~WT0 are set and cleared by application program to modify the WTC values. The re-load conditions of the updated WTC value are described in the WTC section. Users can refer to the WTC section for more details.

CIER Register

The CIER register contains the interrupt enable control bits for all of the interrupt events in the Smart Card interface. Further explanation on each bit is given below:

Bit	7	6	5	4	3	2	1	0
Name	TXBEE	—	IOVFE	VCE	WTE	TXCE	RXCE	PARE
R/W	R/W	—	R/W	R/W	R/W	R/W	R/W	R/W
POR	0	0	0	0	0	0	0	0

- Bit 7 **TXBEE**: Transmit Buffer Empty interrupt enable control
0: disable
1: enable
This bit is set and cleared by application program used to control the Transmit Buffer Empty interrupt. If this bit is set to 1, the Transmit Buffer Empty interrupt will be generated when the Transmit Buffer is empty.
- Bit 6 Unimplemented, read as "0"
- Bit 5 **IOVFE**: Card Current Overload interrupt enable control
0: disable
1: enable
This bit is set and cleared by application program and is used to control the Card Current Overload interrupt. If this bit is set to 1, the Card Current Overload interrupt will be generated when the Card Current is overloaded.
- Bit 4 **VCE**: Card Voltage Error interrupt enable control
0: disable
1: enable
This bit is set and cleared by application program and is used to control the Card Voltage Error interrupt. If this bit is set to 1, the Card Voltage Error interrupt will be generated when the Card Voltage is not in the specified range.
- Bit 3 **WTE**: Waiting Time Counter Underflow interrupt enable control
0: disable
1: enable
This bit is set and cleared by application program and is used to control the Waiting Time Counter Underflow interrupt. If this bit is set to 1, the Waiting Time Counter Underflow interrupt will be generated when the WTC underflows.
- Bit 2 **TXCE**: Character Transmission Completion interrupt enable control
0: disable
1: enable
This bit is set and cleared by application program and is used to control the Character Transmission Completion interrupt. If this bit is set to 1, the Character Transmission Completion interrupt will be generated at the end of the character transmission.

- Bit 1 **RXCE**: Character Reception Completion interrupt enable control
 0: disable.
 1: enable.
 This bit is set and cleared by application program and is used to control the Character Reception Completion interrupt. If this bit is set to 1, the Character Reception Completion interrupt will be generated at the end of the character reception.
- Bit 0 **PARE**: Parity Error interrupt enable control
 0: disable
 1: enable
 This bit is set and cleared by application program and is used to control the Parity Error interrupt. If this bit is set to 1, the Parity Error interrupt will be generated when a parity error occurs.

CIPR Register

The CIPR register contains the interrupt pending flags for all of the interrupt events in the Smart Card interface. These pending flags can be masked by the corresponding interrupt enable control bits. Further explanation on each bit is given below:

Bit	7	6	5	4	3	2	1	0
Name	TXBEP	—	IOVFP	VCP	WTP	TXCP	RXCP	PARP
R/W	R	—	R	R	R	R	R	R
POR	0	0	0	0	0	0	0	0

- Bit 7 **TXBEP**: Transmit Buffer Empty interrupt pending flag
 0: no interrupt pending.
 1: interrupt pending.
 This bit is set by hardware and cleared by a read access to this register using the application program. It is used to indicate if there is a Transmit Buffer Empty interrupt pending or not. If the corresponding interrupt enable control bit is set to 1 and the Transmit Buffer is empty, this bit will be set to 1 to indicate that the Transmit Buffer Empty interrupt is pending.
- Bit 6 Unimplemented, read as 0.
- Bit 5 **IOVFP**: Card Current Overload interrupt pending flag
 0: no interrupt pending.
 1: interrupt pending.
 This bit is set by hardware and cleared by a read access to this register using the application program. It is used to indicate if there is a Card Current Overload interrupt pending or not. If the corresponding interrupt enable control bit is set to 1 and the Card Current is overloaded, this bit will be set to 1 to indicate that the Card Current Overload interrupt is pending.
- Bit 4 **VCP**: Card Voltage Error interrupt pending flag
 0: no interrupt pending.
 1: interrupt pending.
 This bit is set by hardware and cleared by a read access to this register using the application program. It is used to indicate if there is a Card Voltage Error interrupt pending or not. If the corresponding interrupt enable control bit is set to 1 and the Card Voltage is not in the specified range, this bit will be set to 1 to indicate that the Card Voltage Error interrupt is pending.
- Bit 3 **WTP**: Waiting Time Counter Underflow interrupt pending flag
 0: no interrupt pending.
 1: interrupt pending.
 This bit is set by hardware and cleared by a read access to this register using the application program. It is used to indicate if there is a Waiting Time Counter Underflow interrupt pending or not. If the corresponding interrupt enable control bit is set to 1 and the WTC underflows, this bit will be set to 1 to indicate that the Waiting Time Counter Underflow interrupt is pending.

- Bit 2** **TXCP:** Character Transmission Completion interrupt pending flag
 0: no interrupt pending.
 1: interrupt pending.
 This bit is set by hardware and cleared by a read access to this register using the application program. It is used to indicate if there is a Character Transmission Completion interrupt pending or not. If the corresponding interrupt enable control bit is set to 1 and a character has been transmitted, this bit will be set to 1 to indicate that the Character Transmission Completion interrupt is pending.
- Bit 1** **RXCP:** Character Reception Completion interrupt pending flag
 0: no interrupt pending.
 1: interrupt pending.
 This bit is set by hardware and cleared by a read access to this register using the application program. It is used to indicate if there is a Character Reception Completion interrupt pending or not. If the corresponding interrupt enable control bit is set to 1 and a character has been received, this bit will be set to 1 to indicate that the Character Reception Completion interrupt is pending.
- Bit 0** **PARP:** Parity Error interrupt pending flag
 0: no interrupt pending.
 1: interrupt pending.
 This bit is set by hardware and cleared by a read access to this register using the application program. It is used to indicate if there is a Parity Error interrupt pending or not. If the corresponding interrupt enable control bit is set to 1 and the parity error occurs, this bit will be set to 1 to indicate that the Parity Error interrupt is pending.

CTXB Register

The CTXB register is used to store the data to be transmitted.

Bit	7	6	5	4	3	2	1	0
Name	TB7	TB6	TB5	TB4	TB3	TB2	TB1	TB0
R/W	R/W	R/W	R/W	R/W	R/W	R/W	R/W	R/W
POR	0	0	0	0	0	0	0	0

Bit 7~0 **TB7~TB0:** data bits 7~0 to be transmitted.

CRXB Register

The CRXB register is used to store the received data. As the character has been received completely, the value in CRXB register should be read to avoid the next character being overwritten.

Bit	7	6	5	4	3	2	1	0
Name	RB7	RB6	RB5	RB4	RB3	RB2	RB1	RB0
R/W	R/W	R/W	R/W	R/W	R/W	R/W	R/W	R/W
POR	0	0	0	0	0	0	0	0

Bit 7~0 **RB7~RB0:** bits 7~0 of the received data.

Configuration Options

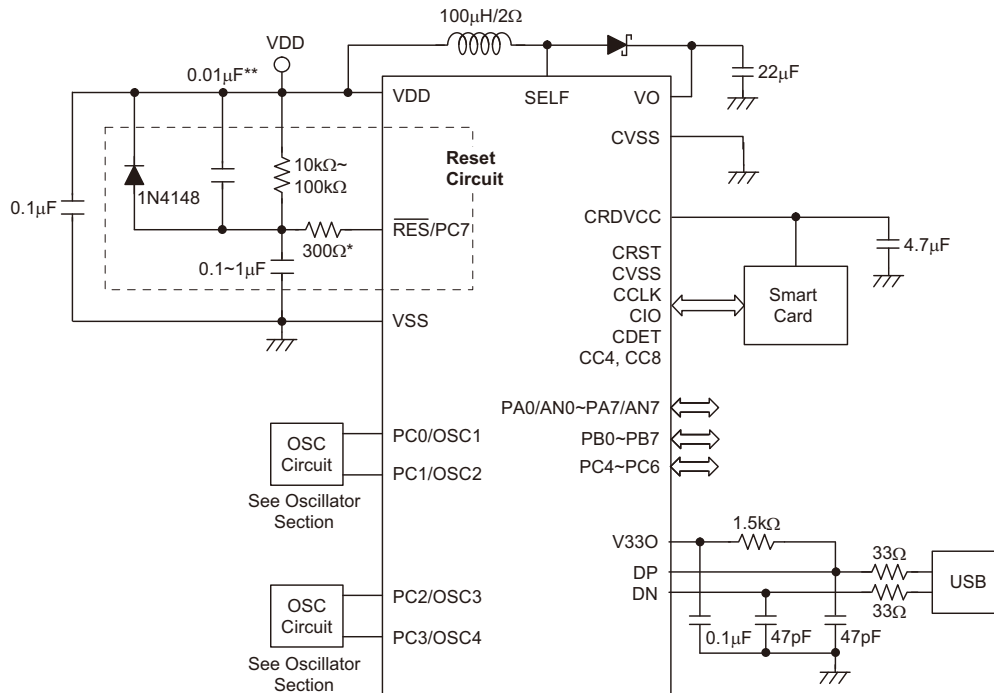
Configuration options refer to certain options within the MCU that are programmed into the device during the programming process. During the development process, these options are selected using the HT-IDE software development tools. As these options are programmed into the device using the hardware programming tools, once they are selected they cannot be changed later as the application software has no control over the configuration options. All options must be defined for proper system function, the details of which are shown in the table.

No.	Options
Oscillator Options	
1	High speed System oscillator selection - f_M External XTAL oscillator (HXT), External RC oscillator (ERC), Internal RC oscillator (HIRC) or External Oscillator (EC)
2	External XTAL oscillator (HXT) frequency selection: 455kHz or 1MHz~12MHz
3	External oscillator (EC) clock filter control: enable or disable
4	Internal RC oscillator (HIRC) frequency selection: 4MHz, 8MHz or 12MHz
5	Low speed System oscillator selection - f_{SL} External 32.768kHz XTAL oscillator (LXT) or Internal 32kHz RC oscillator (LIRC)
6	Oscillator selection for f_{SUB} External 32.768kHz XTAL oscillator (LXT) or Internal 32kHz RC oscillator (LIRC)
7	WDT Clock selection for f_S f_{SUB} or $f_{SYS}/4$
Watchdog Options	
8	Watchdog Timer function: enable or disable
9	CLRWDT instructions: 1 or 2 instructions
10	WDT time-out period: $2^{12}/f_S$, $2^{13}/f_S$, $2^{14}/f_S$ or $2^{15}/f_S$
Time Base Option	
11	Time base time-out period selection: $2^{12}/f_S$, $2^{13}/f_S$, $2^{14}/f_S$ or $2^{15}/f_S$
Buzzer Options	
12	I/O or Buzzer output selection: PA0, PA1; BZ, PA1 or BZ, \overline{BZ}
13	Buzzer output frequency selection: $f_S/2^2$, $f_S/2^3$, $f_S/2^4$, $f_S/2^5$, $f_S/2^6$, $f_S/2^7$, $f_S/2^8$ or $f_S/2^9$
PFD Options	
14	I/O or PFD output selection: PA3 or PFD
15	PFD source selection: PFD0 (from Timer/event counter 0) or PFD1 (from Timer/event counter 1)
RES Pin Option	
16	I/O or RESB pin selection: PC7 or \overline{RES}
LVD/LVR Options	
17	LVD function: enable or disable
18	LVR function: enable or disable
19	LVR/LVD voltage: 2.1V/2.2V or 3.15V/3.3V or 4.2V/4.4V



No.	Options
Smart Card Interface Options	
20	CDET pin pull high function: enable or disable
21	CIO pin pull high function: enable or disable
22	Waiting Time Counter (WTC) function: enable or disable
23	Character transfer repetition times selection: 4 times or 5 times
SIM Option	
24	Serial Interface Module 0 (SIM0) function: enable or disable
25	SPI0 WCOL bit function: enable or disable
26	SPI0 CSEN bit function: enable or disable
27	I ² C0 clock debounce time selection: Disable, 1 system clock or 2 system clocks
28	Serial Interface Module 1 (SIM1) function: enable or disable
29	SPI1 WCOL bit function: enable or disable
30	SPI1 CSEN bit function: enable or disable
31	I ² C1 clock debounce time selection: disable, 1 system clock or 2 system clocks
I/O Pin Power Supply Options	
32	I/O or VDDIO power pin selection: PB3 or VDDIO
33	PB0~PB2 power supply selection (by bit): VDD or VDDIO
34	PB4~PB7 power supply selection (by bit): VDD or VDDIO
35	PC4 power supply selection: VDD or VDDIO

Application Circuits



Note: "*" Recommended component for added ESD protection.

"**" Recommended component in environments where power line noise is significant.

Instruction Set

Introduction

Central to the successful operation of any microcontroller is its instruction set, which is a set of program instruction codes that directs the microcontroller to perform certain operations. In the case of Holtek microcontrollers, a comprehensive and flexible set of over 60 instructions is provided to enable programmers to implement their application with the minimum of programming overheads.

For easier understanding of the various instruction codes, they have been subdivided into several functional groupings.

Instruction Timing

Most instructions are implemented within one instruction cycle. The exceptions to this are branch, call, or table read instructions where two instruction cycles are required. One instruction cycle is equal to 4 system clock cycles, therefore in the case of an 8MHz system oscillator, most instructions would be implemented within 0.5 μ s and branch or call instructions would be implemented within 1 μ s. Although instructions which require one more cycle to implement are generally limited to the JMP, CALL, RET, RETI and table read instructions, it is important to realize that any other instructions which involve manipulation of the Program Counter Low register or PCL will also take one more cycle to implement. As instructions which change the contents of the PCL will imply a direct jump to that new address, one more cycle will be required. Examples of such instructions would be "CLR PCL" or "MOV PCL, A". For the case of skip instructions, it must be noted that if the result of the comparison involves a skip operation then this will also take one more cycle, if no skip is involved then only one cycle is required.

Moving and Transferring Data

The transfer of data within the microcontroller program is one of the most frequently used operations. Making use of three kinds of MOV instructions, data can be transferred from registers to the Accumulator and vice-versa as well as being able to move specific immediate data directly into the Accumulator. One of the most important data transfer applications is to receive data from the input ports and transfer data to the output ports.

Arithmetic Operations

The ability to perform certain arithmetic operations and data manipulation is a necessary feature of most microcontroller applications. Within the Holtek microcontroller instruction set are a range of add and subtract instruction mnemonics to enable the necessary arithmetic to be carried out. Care must be taken to ensure correct handling of carry and borrow data when results exceed 255 for addition and less than 0 for subtraction. The increment and decrement instructions INC, INCA, DEC and DECA provide a simple means of increasing or decreasing by a value of one of the values in the destination specified.

Logical and Rotate Operations

The standard logical operations such as AND, OR, XOR and CPL all have their own instruction within the Holtek microcontroller instruction set. As with the case of most instructions involving data manipulation, data must pass through the Accumulator which may involve additional programming steps. In all logical data operations, the zero flag may be set if the result of the operation is zero. Another form of logical data manipulation comes from the rotate instructions such as RR, RL, RRC and RLC which provide a simple means of rotating one bit right or left. Different rotate instructions exist depending on program requirements. Rotate instructions are useful for serial port programming applications where data can be rotated from an internal register into the Carry bit from where it can be examined and the necessary serial bit set high or low. Another application where rotate data operations are used is to implement multiplication and division calculations.

Branches and Control Transfer

Program branching takes the form of either jumps to specified locations using the JMP instruction or to a subroutine using the CALL instruction. They differ in the sense that in the case of a subroutine call, the program must return to the instruction immediately when the subroutine has been carried out. This is done by placing a return instruction RET in the subroutine which will cause the program to jump back to the address right after the CALL instruction. In the case of a JMP instruction, the program simply jumps to the desired location. There is no requirement to jump back to the original jumping off point as in the case of the CALL instruction. One special and extremely useful set of branch instructions are the conditional branches. Here a decision is first made regarding the condition of a certain data memory or individual bits. Depending upon the conditions, the program will continue with the next instruction or skip over it and jump to the following instruction. These instructions are the key to decision making and branching within the program perhaps determined by the condition of certain input switches or by the condition of internal data bits.

Bit Operations

The ability to provide single bit operations on Data Memory is an extremely flexible feature of all Holtek microcontrollers. This feature is especially useful for output port bit programming where individual bits or port pins can be directly set high or low using either the "SET [m].i" or "CLR [m].i" instructions respectively. The feature removes the need for programmers to first read the 8-bit output port, manipulate the input data to ensure that other bits are not changed and then output the port with the correct new data. This read-modify-write process is taken care of automatically when these bit operation instructions are used.

Table Read Operations

Data storage is normally implemented by using registers. However, when working with large amounts of fixed data, the volume involved often makes it inconvenient to store the fixed data in the Data Memory. To overcome this problem, Holtek microcontrollers allow an area of Program Memory to be setup as a table where data can be directly stored. A set of easy to use instructions provides the means by which this fixed data can be referenced and retrieved from the Program Memory.

Other Operations

In addition to the above functional instructions, a range of other instructions also exist such as the "HALT" instruction for Power-down operations and instructions to control the operation of the Watchdog Timer for reliable program operations under extreme electric or electromagnetic environments. For their relevant operations, refer to the functional related sections.

Instruction Set Summary

The following table depicts a summary of the instruction set categorised according to function and can be consulted as a basic instruction reference using the following listed conventions.

Table conventions:

x: Bits immediate data

m: Data Memory address

A: Accumulator

i: 0~7 number of bits

addr: Program memory address

Mnemonic	Description	Cycles	Flag Affected
Arithmetic			
ADD A,[m]	Add Data Memory to ACC	1	Z, C, AC, OV
ADDM A,[m]	Add ACC to Data Memory	1 ^{Note}	Z, C, AC, OV
ADD A,x	Add immediate data to ACC	1	Z, C, AC, OV
ADC A,[m]	Add Data Memory to ACC with Carry	1	Z, C, AC, OV
ADCM A,[m]	Add ACC to Data memory with Carry	1 ^{Note}	Z, C, AC, OV
SUB A,x	Subtract immediate data from the ACC	1	Z, C, AC, OV
SUB A,[m]	Subtract Data Memory from ACC	1	Z, C, AC, OV
SUBM A,[m]	Subtract Data Memory from ACC with result in Data Memory	1 ^{Note}	Z, C, AC, OV
SBC A,[m]	Subtract Data Memory from ACC with Carry	1	Z, C, AC, OV
SBCM A,[m]	Subtract Data Memory from ACC with Carry, result in Data Memory	1 ^{Note}	Z, C, AC, OV
DAA [m]	Decimal adjust ACC for Addition with result in Data Memory	1 ^{Note}	C
Logic Operation			
AND A,[m]	Logical AND Data Memory to ACC	1	Z
OR A,[m]	Logical OR Data Memory to ACC	1	Z
XOR A,[m]	Logical XOR Data Memory to ACC	1	Z
ANDM A,[m]	Logical AND ACC to Data Memory	1 ^{Note}	Z
ORM A,[m]	Logical OR ACC to Data Memory	1 ^{Note}	Z
XORM A,[m]	Logical XOR ACC to Data Memory	1 ^{Note}	Z
AND A,x	Logical AND immediate Data to ACC	1	Z
OR A,x	Logical OR immediate Data to ACC	1	Z
XOR A,x	Logical XOR immediate Data to ACC	1	Z
CPL [m]	Complement Data Memory	1 ^{Note}	Z
CPLA [m]	Complement Data Memory with result in ACC	1	Z
Increment & Decrement			
INCA [m]	Increment Data Memory with result in ACC	1	Z
INC [m]	Increment Data Memory	1 ^{Note}	Z
DECA [m]	Decrement Data Memory with result in ACC	1	Z
DEC [m]	Decrement Data Memory	1 ^{Note}	Z
Rotate			
RRA [m]	Rotate Data Memory right with result in ACC	1	None
RR [m]	Rotate Data Memory right	1 ^{Note}	None
RRCA [m]	Rotate Data Memory right through Carry with result in ACC	1	C
RRC [m]	Rotate Data Memory right through Carry	1 ^{Note}	C
RLA [m]	Rotate Data Memory left with result in ACC	1	None
RL [m]	Rotate Data Memory left	1 ^{Note}	None
RLCA [m]	Rotate Data Memory left through Carry with result in ACC	1	C
RLC [m]	Rotate Data Memory left through Carry	1 ^{Note}	C
Data Move			
MOV A,[m]	Move Data Memory to ACC	1	None
MOV [m],A	Move ACC to Data Memory	1 ^{Note}	None
MOV A,x	Move immediate data to ACC	1	None

Mnemonic	Description	Cycles	Flag Affected
Bit Operation			
CLR [m].i	Clear bit of Data Memory	1 ^{Note}	None
SET [m].i	Set bit of Data Memory	1 ^{Note}	None
Branch			
JMP addr	Jump unconditionally	2	None
SZ [m]	Skip if Data Memory is zero	1 ^{Note}	None
SZA [m]	Skip if Data Memory is zero with data movement to ACC	1 ^{note}	None
SZ [m].i	Skip if bit i of Data Memory is zero	1 ^{Note}	None
SNZ [m].i	Skip if bit i of Data Memory is not zero	1 ^{Note}	None
SIZ [m]	Skip if increment Data Memory is zero	1 ^{Note}	None
SDZ [m]	Skip if decrement Data Memory is zero	1 ^{Note}	None
SIZA [m]	Skip if increment Data Memory is zero with result in ACC	1 ^{Note}	None
SDZA [m]	Skip if decrement Data Memory is zero with result in ACC	1 ^{Note}	None
CALL addr	Subroutine call	2	None
RET	Return from subroutine	2	None
RET A,x	Return from subroutine and load immediate data to ACC	2	None
RETI	Return from interrupt	2	None
Table Read			
TABRDC [m]	Read table (current page) to TBLH and Data Memory	2 ^{Note}	None
TABRDL [m]	Read table (last page) to TBLH and Data Memory	2 ^{Note}	None
Miscellaneous			
NOP	No operation	1	None
CLR [m]	Clear Data Memory	1 ^{Note}	None
SET [m]	Set Data Memory	1 ^{Note}	None
CLR WDT	Clear Watchdog Timer	1	TO, PDF
CLR WDT1	Pre-clear Watchdog Timer	1	TO, PDF
CLR WDT2	Pre-clear Watchdog Timer	1	TO, PDF
SWAP [m]	Swap nibbles of Data Memory	1 ^{Note}	None
SWAPA [m]	Swap nibbles of Data Memory with result in ACC	1	None
HALT	Enter power down mode	1	TO, PDF

- Note:
1. For skip instructions, if the result of the comparison involves a skip then two cycles are required, if no skip takes place only one cycle is required.
 2. Any instruction which changes the contents of the PCL will also require 2 cycles for execution.
 3. For the "CLR WDT1" and "CLR WDT2" instructions the TO and PDF flags may be affected by the execution status. The TO and PDF flags are cleared after both "CLR WDT1" and "CLR WDT2" instructions are consecutively executed. Otherwise the TO and PDF flags remain unchanged.
 4. If the register in Smart Card Interface is assessed by any instruction, the instruction cycle is additionally added by 1.

Instruction Definition

ADC A,[m]	Add Data Memory to ACC with Carry
Description	The contents of the specified Data Memory, Accumulator and the carry flag are added. The result is stored in the Accumulator.
Operation	$ACC \leftarrow ACC + [m] + C$
Affected flag(s)	OV, Z, AC, C
ADCM A,[m]	Add ACC to Data Memory with Carry
Description	The contents of the specified Data Memory, Accumulator and the carry flag are added. The result is stored in the specified Data Memory.
Operation	$[m] \leftarrow ACC + [m] + C$
Affected flag(s)	OV, Z, AC, C
ADD A,[m]	Add Data Memory to ACC
Description	The contents of the specified Data Memory and the Accumulator are added. The result is stored in the Accumulator.
Operation	$ACC \leftarrow ACC + [m]$
Affected flag(s)	OV, Z, AC, C
ADD A,x	Add immediate data to ACC
Description	The contents of the Accumulator and the specified immediate data are added. The result is stored in the Accumulator.
Operation	$ACC \leftarrow ACC + x$
Affected flag(s)	OV, Z, AC, C
ADDM A,[m]	Add ACC to Data Memory
Description	The contents of the specified Data Memory and the Accumulator are added. The result is stored in the specified Data Memory.
Operation	$[m] \leftarrow ACC + [m]$
Affected flag(s)	OV, Z, AC, C
AND A,[m]	Logical AND Data Memory to ACC
Description	Data in the Accumulator and the specified Data Memory perform a bitwise logical AND operation. The result is stored in the Accumulator.
Operation	$ACC \leftarrow ACC \text{ "AND" } [m]$
Affected flag(s)	Z
AND A,x	Logical AND immediate data to ACC
Description	Data in the Accumulator and the specified immediate data perform a bitwise logical AND operation. The result is stored in the Accumulator.
Operation	$ACC \leftarrow ACC \text{ "AND" } x$
Affected flag(s)	Z
ANDM A,[m]	Logical AND ACC to Data Memory
Description	Data in the specified Data Memory and the Accumulator perform a bitwise logical AND operation. The result is stored in the Data Memory.
Operation	$[m] \leftarrow ACC \text{ "AND" } [m]$
Affected flag(s)	Z

CALL addr	Subroutine call
Description	Unconditionally calls a subroutine at the specified address. The Program Counter then increments by 1 to obtain the address of the next instruction which is then pushed onto the stack. The specified address is then loaded and the program continues execution from this new address. As this instruction requires an additional operation, it is a two cycle instruction.
Operation	Stack ← Program Counter + 1 Program Counter ← addr
Affected flag(s)	None
CLR [m]	Clear Data Memory
Description	Each bit of the specified Data Memory is cleared to 0.
Operation	[m] ← 00H
Affected flag(s)	None
CLR [m].i	Clear bit of Data Memory
Description	Bit i of the specified Data Memory is cleared to 0.
Operation	[m].i ← 0
Affected flag(s)	None
CLR WDT	Clear Watchdog Timer
Description	The TO, PDF flags and the WDT are all cleared.
Operation	WDT cleared TO ← 0 PDF ← 0
Affected flag(s)	TO, PDF
CLR WDT1	Pre-clear Watchdog Timer
Description	The TO, PDF flags and the WDT are all cleared. Note that this instruction works in conjunction with CLR WDT2 and must be executed alternately with CLR WDT2 to have effect. Repetitively executing this instruction without alternately executing CLR WDT2 will have no effect.
Operation	WDT cleared TO ← 0 PDF ← 0
Affected flag(s)	TO, PDF
CLR WDT2	Pre-clear Watchdog Timer
Description	The TO, PDF flags and the WDT are all cleared. Note that this instruction works in conjunction with CLR WDT1 and must be executed alternately with CLR WDT1 to have effect. Repetitively executing this instruction without alternately executing CLR WDT1 will have no effect.
Operation	WDT cleared TO ← 0 PDF ← 0
Affected flag(s)	TO, PDF

CPL [m]	Complement Data Memory
Description	Each bit of the specified Data Memory is logically complemented (1's complement). Bits which previously contained a 1 are changed to 0 and vice versa.
Operation	$[m] \leftarrow \overline{[m]}$
Affected flag(s)	Z
CPLA [m]	Complement Data Memory with result in ACC
Description	Each bit of the specified Data Memory is logically complemented (1's complement). Bits which previously contained a 1 are changed to 0 and vice versa. The complemented result is stored in the Accumulator and the contents of the Data Memory remain unchanged.
Operation	$ACC \leftarrow \overline{[m]}$
Affected flag(s)	Z
DAA [m]	Decimal-Adjust ACC for addition with result in Data Memory
Description	Convert the contents of the Accumulator value to a BCD (Binary Coded Decimal) value resulting from the previous addition of two BCD variables. If the low nibble is greater than 9 or if AC flag is set, then a value of 6 will be added to the low nibble. Otherwise the low nibble remains unchanged. If the high nibble is greater than 9 or if the C flag is set, then a value of 6 will be added to the high nibble. Essentially, the decimal conversion is performed by adding 00H, 06H, 60H or 66H depending on the Accumulator and flag conditions. Only the C flag may be affected by this instruction which indicates that if the original BCD sum is greater than 100, it allows multiple precision decimal addition.
Operation	$[m] \leftarrow ACC + 00H$ or $[m] \leftarrow ACC + 06H$ or $[m] \leftarrow ACC + 60H$ or $[m] \leftarrow ACC + 66H$
Affected flag(s)	C
DEC [m]	Decrement Data Memory
Description	Data in the specified Data Memory is decremented by 1.
Operation	$[m] \leftarrow [m] - 1$
Affected flag(s)	Z
DECA [m]	Decrement Data Memory with result in ACC
Description	Data in the specified Data Memory is decremented by 1. The result is stored in the Accumulator. The contents of the Data Memory remain unchanged.
Operation	$ACC \leftarrow [m] - 1$
Affected flag(s)	Z
HALT	Enter power down mode
Description	This instruction stops the program execution and turns off the system clock. The contents of the Data Memory and registers are retained. The WDT and prescaler are cleared. The power down flag PDF is set and the WDT time-out flag TO is cleared.
Operation	TO \leftarrow 0 PDF \leftarrow 1
Affected flag(s)	TO, PDF

INC [m]	Increment Data Memory
Description	Data in the specified Data Memory is incremented by 1.
Operation	$[m] \leftarrow [m] + 1$
Affected flag(s)	Z
INCA [m]	Increment Data Memory with result in ACC
Description	Data in the specified Data Memory is incremented by 1. The result is stored in the Accumulator. The contents of the Data Memory remain unchanged.
Operation	$ACC \leftarrow [m] + 1$
Affected flag(s)	Z
JMP addr	Jump unconditionally
Description	The contents of the Program Counter are replaced with the specified address. Program execution then continues from this new address. As this requires the insertion of a dummy instruction while the new address is loaded, it is a two cycle instruction.
Operation	$Program\ Counter \leftarrow addr$
Affected flag(s)	None
MOV A,[m]	Move Data Memory to ACC
Description	The contents of the specified Data Memory are copied to the Accumulator.
Operation	$ACC \leftarrow [m]$
Affected flag(s)	None
MOV A,x	Move immediate data to ACC
Description	The immediate data specified is loaded into the Accumulator.
Operation	$ACC \leftarrow x$
Affected flag(s)	None
MOV [m],A	Move ACC to Data Memory
Description	The contents of the Accumulator are copied to the specified Data Memory.
Operation	$[m] \leftarrow ACC$
Affected flag(s)	None
NOP	No operation
Description	No operation is performed. Execution continues with the next instruction.
Operation	No operation
Affected flag(s)	None
OR A,[m]	Logical OR Data Memory to ACC
Description	Data in the Accumulator and the specified Data Memory perform a bitwise logical OR operation. The result is stored in the Accumulator.
Operation	$ACC \leftarrow ACC \text{ "OR" } [m]$
Affected flag(s)	Z

OR A,x	Logical OR immediate data to ACC
Description	Data in the Accumulator and the specified immediate data perform a bitwise logical OR operation. The result is stored in the Accumulator.
Operation	$ACC \leftarrow ACC \text{ "OR" } x$
Affected flag(s)	Z
ORM A,[m]	Logical OR ACC to Data Memory
Description	Data in the specified Data Memory and the Accumulator perform a bitwise logical OR operation. The result is stored in the Data Memory.
Operation	$[m] \leftarrow ACC \text{ "OR" } [m]$
Affected flag(s)	Z
RET	Return from subroutine
Description	The Program Counter is restored from the stack. Program execution continues at the restored address.
Operation	Program Counter \leftarrow Stack
Affected flag(s)	None
RET A,x	Return from subroutine and load immediate data to ACC
Description	The Program Counter is restored from the stack and the Accumulator loaded with the specified immediate data. Program execution continues at the restored address.
Operation	Program Counter \leftarrow Stack ACC \leftarrow x
Affected flag(s)	None
RETI	Return from interrupt
Description	The Program Counter is restored from the stack and the interrupts are re-enabled by setting the EMI bit. EMI is the master interrupt global enable bit. If an interrupt was pending when the RETI instruction is executed, the pending Interrupt routine will be processed before returning to the main program.
Operation	Program Counter \leftarrow Stack EMI \leftarrow 1
Affected flag(s)	None
RL [m]	Rotate Data Memory left
Description	The contents of the specified Data Memory are rotated left by 1 bit with bit 7 rotated into bit 0.
Operation	$[m].(i+1) \leftarrow [m].i; (i = 0\sim 6)$ $[m].0 \leftarrow [m].7$
Affected flag(s)	None
RLA [m]	Rotate Data Memory left with result in ACC
Description	The contents of the specified Data Memory are rotated left by 1 bit with bit 7 rotated into bit 0. The rotated result is stored in the Accumulator and the contents of the Data Memory remain unchanged.
Operation	ACC.(i+1) \leftarrow [m].i; (i = 0~6) ACC.0 \leftarrow [m].7
Affected flag(s)	None

RLC [m]	Rotate Data Memory left through Carry
Description	The contents of the specified Data Memory and the carry flag are rotated left by 1 bit. Bit 7 replaces the Carry bit and the original carry flag is rotated into bit 0.
Operation	$[m].(i+1) \leftarrow [m].i; (i = 0\sim6)$ $[m].0 \leftarrow C$ $C \leftarrow [m].7$
Affected flag(s)	C
RLCA [m]	Rotate Data Memory left through Carry with result in ACC
Description	Data in the specified Data Memory and the carry flag are rotated left by 1 bit. Bit 7 replaces the Carry bit and the original carry flag is rotated into the bit 0. The rotated result is stored in the Accumulator and the contents of the Data Memory remain unchanged.
Operation	$ACC.(i+1) \leftarrow [m].i; (i = 0\sim6)$ $ACC.0 \leftarrow C$ $C \leftarrow [m].7$
Affected flag(s)	C
RR [m]	Rotate Data Memory right
Description	The contents of the specified Data Memory are rotated right by 1 bit with bit 0 rotated into bit 7.
Operation	$[m].i \leftarrow [m].(i+1); (i = 0\sim6)$ $[m].7 \leftarrow [m].0$
Affected flag(s)	None
RRA [m]	Rotate Data Memory right with result in ACC
Description	Data in the specified Data Memory and the carry flag are rotated right by 1 bit with bit 0 rotated into bit 7. The rotated result is stored in the Accumulator and the contents of the Data Memory remain unchanged.
Operation	$ACC.i \leftarrow [m].(i+1); (i = 0\sim6)$ $ACC.7 \leftarrow [m].0$
Affected flag(s)	None
RRC [m]	Rotate Data Memory right through Carry
Description	The contents of the specified Data Memory and the carry flag are rotated right by 1 bit. Bit 0 replaces the Carry bit and the original carry flag is rotated into bit 7.
Operation	$[m].i \leftarrow [m].(i+1); (i = 0\sim6)$ $[m].7 \leftarrow C$ $C \leftarrow [m].0$
Affected flag(s)	C
RRCA [m]	Rotate Data Memory right through Carry with result in ACC
Description	Data in the specified Data Memory and the carry flag are rotated right by 1 bit. Bit 0 replaces the Carry bit and the original carry flag is rotated into bit 7. The rotated result is stored in the Accumulator and the contents of the Data Memory remain unchanged.
Operation	$ACC.i \leftarrow [m].(i+1); (i = 0\sim6)$ $ACC.7 \leftarrow C$ $C \leftarrow [m].0$
Affected flag(s)	C

SBC A,[m]	Subtract Data Memory from ACC with Carry
Description	The contents of the specified Data Memory and the complement of the carry flag are subtracted from the Accumulator. The result is stored in the Accumulator. Note that if the result of subtraction is negative, the C flag will be cleared to 0, otherwise if the result is positive or zero, the C flag will be set to 1.
Operation	$ACC \leftarrow ACC - [m] - \bar{C}$
Affected flag(s)	OV, Z, AC, C
SBCM A,[m]	Subtract Data Memory from ACC with Carry and result in Data Memory
Description	The contents of the specified Data Memory and the complement of the carry flag are subtracted from the Accumulator. The result is stored in the Data Memory. Note that if the result of subtraction is negative, the C flag will be cleared to 0, otherwise if the result is positive or zero, the C flag will be set to 1.
Operation	$[m] \leftarrow ACC - [m] - \bar{C}$
Affected flag(s)	OV, Z, AC, C
SDZ [m]	Skip if decrement Data Memory is 0
Description	The contents of the specified Data Memory are first decremented by 1. If the result is 0 the following instruction is skipped. As this requires the insertion of a dummy instruction while the next instruction is fetched, it is a two cycle instruction. If the result is not 0 the program proceeds with the following instruction.
Operation	$[m] \leftarrow [m] - 1$ Skip if $[m] = 0$
Affected flag(s)	None
SDZA [m]	Skip if decrement Data Memory is zero with result in ACC
Description	The contents of the specified Data Memory are first decremented by 1. If the result is 0, the following instruction is skipped. The result is stored in the Accumulator but the specified Data Memory contents remain unchanged. As this requires the insertion of a dummy instruction while the next instruction is fetched, it is a two cycle instruction. If the result is not 0, the program proceeds with the following instruction.
Operation	$ACC \leftarrow [m] - 1$ Skip if $ACC = 0$
Affected flag(s)	None
SET [m]	Set Data Memory
Description	Each bit of the specified Data Memory is set to 1.
Operation	$[m] \leftarrow FFH$
Affected flag(s)	None
SET [m].i	Set bit of Data Memory
Description	Bit i of the specified Data Memory is set to 1.
Operation	$[m].i \leftarrow 1$
Affected flag(s)	None

SIZ [m]	Skip if increment Data Memory is 0
Description	The contents of the specified Data Memory are first incremented by 1. If the result is 0, the following instruction is skipped. As this requires the insertion of a dummy instruction while the next instruction is fetched, it is a two cycle instruction. If the result is not 0 the program proceeds with the following instruction.
Operation	$[m] \leftarrow [m] + 1$ Skip if $[m] = 0$
Affected flag(s)	None
SIZA [m]	Skip if increment Data Memory is zero with result in ACC
Description	The contents of the specified Data Memory are first incremented by 1. If the result is 0, the following instruction is skipped. The result is stored in the Accumulator but the specified Data Memory contents remain unchanged. As this requires the insertion of a dummy instruction while the next instruction is fetched, it is a two cycle instruction. If the result is not 0 the program proceeds with the following instruction.
Operation	$ACC \leftarrow [m] + 1$ Skip if $ACC = 0$
Affected flag(s)	None
SNZ [m].i	Skip if bit i of Data Memory is not 0
Description	If bit i of the specified Data Memory is not 0, the following instruction is skipped. As this requires the insertion of a dummy instruction while the next instruction is fetched, it is a two cycle instruction. If the result is 0 the program proceeds with the following instruction.
Operation	Skip if $[m].i \neq 0$
Affected flag(s)	None
SUB A,[m]	Subtract Data Memory from ACC
Description	The specified Data Memory is subtracted from the contents of the Accumulator. The result is stored in the Accumulator. Note that if the result of subtraction is negative, the C flag will be cleared to 0, otherwise if the result is positive or zero, the C flag will be set to 1.
Operation	$ACC \leftarrow ACC - [m]$
Affected flag(s)	OV, Z, AC, C
SUBM A,[m]	Subtract Data Memory from ACC with result in Data Memory
Description	The specified Data Memory is subtracted from the contents of the Accumulator. The result is stored in the Data Memory. Note that if the result of subtraction is negative, the C flag will be cleared to 0, otherwise if the result is positive or zero, the C flag will be set to 1.
Operation	$[m] \leftarrow ACC - [m]$
Affected flag(s)	OV, Z, AC, C
SUB A,x	Subtract immediate data from ACC
Description	The immediate data specified by the code is subtracted from the contents of the Accumulator. The result is stored in the Accumulator. Note that if the result of subtraction is negative, the C flag will be cleared to 0, otherwise if the result is positive or zero, the C flag will be set to 1.
Operation	$ACC \leftarrow ACC - x$
Affected flag(s)	OV, Z, AC, C

SWAP [m]	Swap nibbles of Data Memory
Description	The low-order and high-order nibbles of the specified Data Memory are interchanged.
Operation	$[m].3 \sim [m].0 \leftrightarrow [m].7 \sim [m].4$
Affected flag(s)	None
SWAPA [m]	Swap nibbles of Data Memory with result in ACC
Description	The low-order and high-order nibbles of the specified Data Memory are interchanged. The result is stored in the Accumulator. The contents of the Data Memory remain unchanged.
Operation	$ACC.3 \sim ACC.0 \leftarrow [m].7 \sim [m].4$ $ACC.7 \sim ACC.4 \leftarrow [m].3 \sim [m].0$
Affected flag(s)	None
SZ [m]	Skip if Data Memory is 0
Description	If the contents of the specified Data Memory is 0, the following instruction is skipped. As this requires the insertion of a dummy instruction while the next instruction is fetched, it is a two cycle instruction. If the result is not 0 the program proceeds with the following instruction.
Operation	Skip if $[m] = 0$
Affected flag(s)	None
SZA [m]	Skip if Data Memory is 0 with data movement to ACC
Description	The contents of the specified Data Memory are copied to the Accumulator. If the value is zero, the following instruction is skipped. As this requires the insertion of a dummy instruction while the next instruction is fetched, it is a two cycle instruction. If the result is not 0 the program proceeds with the following instruction.
Operation	$ACC \leftarrow [m]$ Skip if $[m] = 0$
Affected flag(s)	None
SZ [m].i	Skip if bit i of Data Memory is 0
Description	If bit i of the specified Data Memory is 0, the following instruction is skipped. As this requires the insertion of a dummy instruction while the next instruction is fetched, it is a two cycle instruction. If the result is not 0, the program proceeds with the following instruction.
Operation	Skip if $[m].i = 0$
Affected flag(s)	None
TABRDC [m]	Read table (current page) to TBLH and Data Memory
Description	The low byte of the program code (current page) addressed by the table pointer (TBLP) is moved to the specified Data Memory and the high byte moved to TBLH.
Operation	$[m] \leftarrow$ program code (low byte) $TBLH \leftarrow$ program code (high byte)
Affected flag(s)	None

TABRDL [m]	Read table (last page) to TBLH and Data Memory
Description	The low byte of the program code (last page) addressed by the table pointer (TBLP) is moved to the specified Data Memory and the high byte moved to TBLH.
Operation	[m] ← program code (low byte) TBLH ← program code (high byte)
Affected flag(s)	None
XOR A,[m]	Logical XOR Data Memory to ACC
Description	Data in the Accumulator and the specified Data Memory perform a bitwise logical XOR operation. The result is stored in the Accumulator.
Operation	ACC ← ACC "XOR" [m]
Affected flag(s)	Z
XORM A,[m]	Logical XOR ACC to Data Memory
Description	Data in the specified Data Memory and the Accumulator perform a bitwise logical XOR operation. The result is stored in the Data Memory.
Operation	[m] ← ACC "XOR" [m]
Affected flag(s)	Z
XOR A,x	Logical XOR immediate data to ACC
Description	Data in the Accumulator and the specified immediate data perform a bitwise logical XOR operation. The result is stored in the Accumulator.
Operation	ACC ← ACC "XOR" x
Affected flag(s)	Z



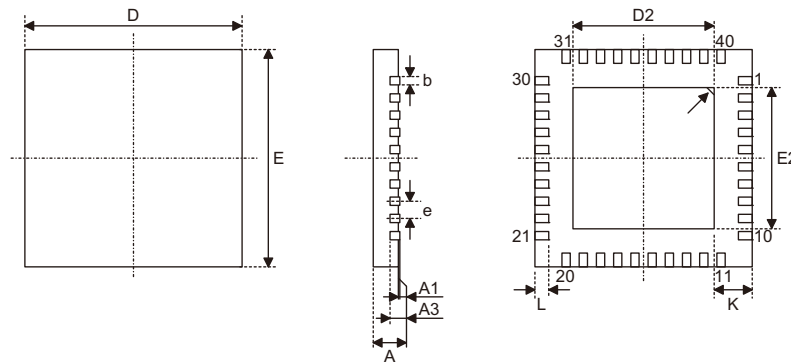
Package Information

Note that the package information provided here is for consultation purposes only. As this information may be updated at regular intervals users are reminded to consult the [Holtek website](#) for the latest version of the package information.

Additional supplementary information with regard to packaging is listed below. Click on the relevant section to be transferred to the relevant website page.

- [Further Package Information](#)
(include Outline Dimensions, Product Tape and Reel Specifications)
- [Packing Materials Information](#)
- [Carton information](#)
- [PB FREE Products](#)
- [Green Packages Products](#)

SAW Type 40-pin QFN (6mm×6mm for 0.75mm) Outline Dimensions

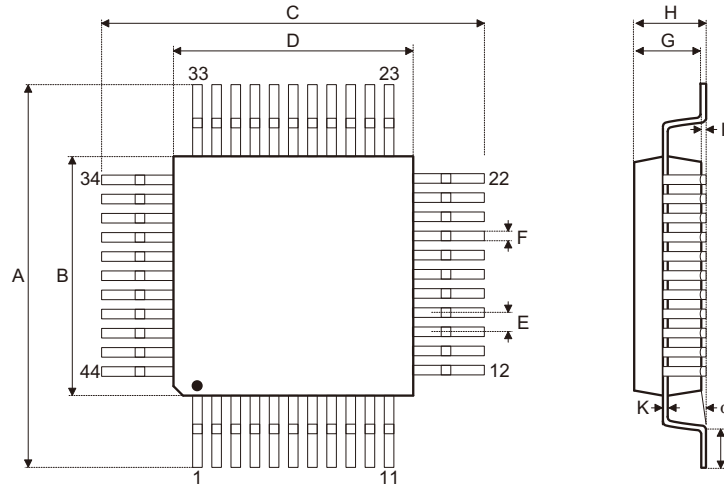


GTK

Symbol	Dimensions in inch		
	Min.	Nom.	Max.
A	0.028	0.030	0.031
A1	0.000	0.001	0.002
A3	—	0.008	—
b	0.007	0.010	0.012
D	—	0.236	—
E	—	0.236	—
e	—	0.020	—
D2	0.173	0.177	0.179
E2	0.173	0.177	0.179
L	0.014	0.016	0.018
K	0.008	—	—

Symbol	Dimensions in mm		
	Min.	Nom.	Max.
A	0.70	0.75	0.80
A1	0.00	0.02	0.05
A3	—	0.20	—
b	0.18	0.25	0.30
D	—	6.00	—
E	—	6.00	—
e	—	0.50	—
D2	4.40	4.50	4.55
E2	4.40	4.50	4.55
L	0.35	0.40	0.45
K	0.20	—	—

44-pin LQFP (10mm×10mm) (FP2.0mm) Outline Dimensions



Symbol	Dimensions in inch		
	Min.	Nom.	Max.
A	0.469	—	0.476
B	0.390	—	0.398
C	0.469	—	0.476
D	0.390	—	0.398
E	—	0.031	—
F	—	0.012	—
G	0.053	—	0.057
H	—	—	0.063
I	—	0.004	—
J	0.018	—	0.030
K	0.004	—	0.008
α	0°	—	7°

Symbol	Dimensions in mm		
	Min.	Nom.	Max.
A	11.90	—	12.10
B	9.90	—	10.10
C	11.90	—	12.10
D	9.90	—	10.10
E	—	0.80	—
F	—	0.30	—
G	1.35	—	1.45
H	—	—	1.60
I	—	0.10	—
J	0.45	—	0.75
K	0.10	—	0.20
α	0°	—	7°

Copyright © 2013 by HOLTEK SEMICONDUCTOR INC.

The information appearing in this Data Sheet is believed to be accurate at the time of publication. However, Holtek assumes no responsibility arising from the use of the specifications described. The applications mentioned herein are used solely for the purpose of illustration and Holtek makes no warranty or representation that such applications will be suitable without further modification, nor recommends the use of its products for application that may present a risk to human life due to malfunction or otherwise. Holtek's products are not authorized for use as critical components in life support devices or systems. Holtek reserves the right to alter its products without prior notification. For the most up-to-date information, please visit our web site at <http://www.holtek.com.tw>.