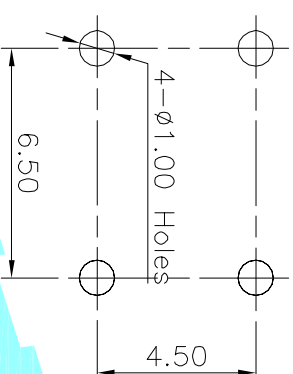
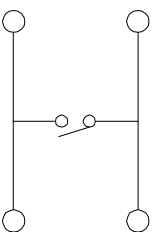
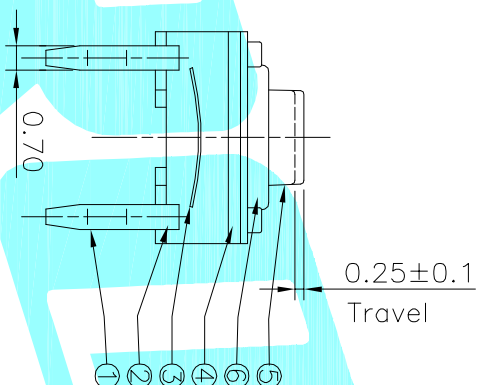
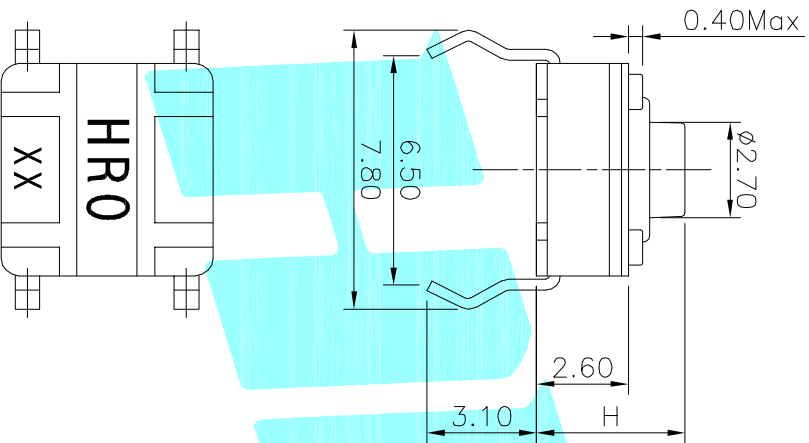


Circuit Diagram



PCB Layout (Pattern side)



- Typical Specifications
1. Rating : DC 12V 50mA
 2. Contact Resistance: $\leq 100m\Omega$
 3. Insulation Resistance: $\geq 100m\Omega$ DC250V
 4. Operating Temperature Range: $-25^{\circ}C + 80^{\circ}C$
 5. Ambient Humidity Used: $\leq 85\%RH$
 6. Travel: $0.25 \pm 0.1mm$
 7. Life : 500,000 Cycles
 8. IP Rating: IP66

NO.4-NO.5	PART NO	NOTE
01~99	SERIAL NUMBER	

NO.3	PART NO	MATERIAL/QTY
S	SUS/1PC	
C	CS210/1PC	
D	SUS/2PCS	
F	CS210/2PCS	

NO.2	PART NO	vigor
3	180±30	
4	250±30	

NO.1	PART NO	H
A	4.3	
C	5	
G	7	

ITEM	PART NAME	TER'NO.	QTY.	MATERIAL	FINISHING	REMARK
⑥	Cover	—	1	Brass	Tin Plated	—
⑤	Keystroke	—	1	Nylon	Red	—
④	Waterproof Silicone	—	1	Silica gel	Black	—
③	Contact	—	1	F.Ag/SUS	Plating silver	—
②	Base	—	1	Nylon	Black	—
①	Terminal	—	4	Copper(0.3t)	Plating silver	—

APPROVALS

DRAWN J.X.Zhang DATE 2013/6/13

CHECKED

TITLE: TACT SWITCHS

ELECTRONICS CO.,LTD

ECN NO.	REV.	DATE.	DESCRIPTION.	CHANGE.	CHECK.	APPRO.												
	A		NEW															
TOLERANCES ARE: <table border="1" style="display: inline-table; margin-left: 10px;"> <tr> <td>30~12.5</td> <td>±0.30</td> <td>ANGLE</td> </tr> <tr> <td>10~30</td> <td>±0.20</td> <td></td> </tr> <tr> <td>5~10</td> <td>±0.15</td> <td></td> </tr> <tr> <td>~5</td> <td>±0.10</td> <td>±2'</td> </tr> </table>							30~12.5	±0.30	ANGLE	10~30	±0.20		5~10	±0.15		~5	±0.10	±2'
30~12.5	±0.30	ANGLE																
10~30	±0.20																	
5~10	±0.15																	
~5	±0.10	±2'																
PART NO. K2-1110DP-□□□□-□□			SCALE: 1:1		PROJ:													
DRAWING NO.					SHEET 1 OF 1													