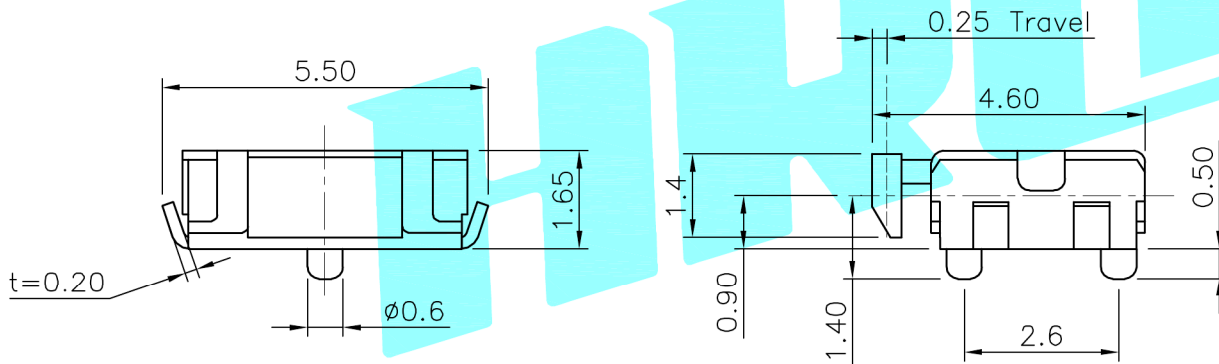


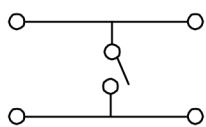
PCB Layout recommended



NO.1	
PART NO	vigor
2	130±30
3	160±30
4	250±30

NO.2	
PART NO	MATERIAL/QTY.
S	SUS/1PC
D	SUS/2PCS

NO.3-NO.4	
PART NO	NOTE
01~99	SERIAL NUMBER



Circuit diagram

PART NO.	K2-1114UA
PART NO.	K2-1114UN

ITEM	PART NAME	TER'NO.	QTY.	MATERIAL	FINISHING	REMARK
⑥	Cover B	—	2	Pi Polimides	Yellow	—
⑤	Terminal	—	4	Phosphor Bronze	Ag-PLATED	—
④	Shell	—	1	SUS	Natural	—
③	Contact	—	1	SUS	Ag-PLATED	—
②	Base	—	1	Nylon	Black	—
①	Keystoke	—	1	Nylon	Black	—

APPROVALS		DATE	 ELECTRONICS CO.,LTD			
DRAWN	J.X.Zhang	2013/7/15				
CHECKED			TITLE:	TACT SWITCHS		
APPROVALS			PART NO.	K2-1114UA-A□□W-□□		
TOLERANCES ARE		30~以下: ±0.30	ANGLE	UNIT: mm	SCALE: 1:1	PROJ:
		10~30: ±0.20				
		5~10: ±0.15	DRAWING NO.	SHEET	1 OF 1	
		~ 5: ±0.10				

ECN NO.	REV.	DATE.	DESCRIPTION.	CHANGE.	CHECK.	APPRO.
	A		NEW			