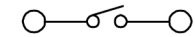


- Typical Specifications :
1. Rating : DC 12V 50mA
 2. Insulation resistance: $\geq 100M\Omega$
 3. Withstand voltage: AC 500V/1min
 4. Life:100,000 Cycles Min.



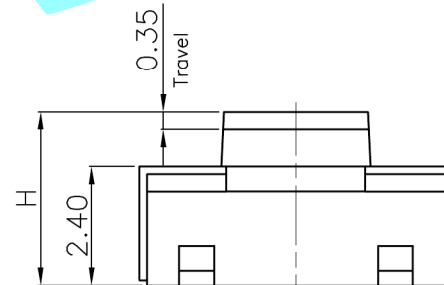
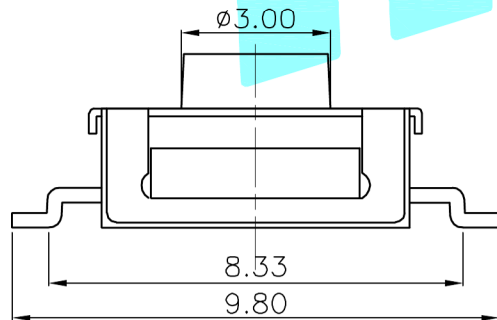
Circuit Diagram

HRO 韓泰

NO.1	
PART NO	H
D	3.5
F	5

NO.2	
PART NO	vigor
1	180 \pm 30
2	250 \pm 30
3	350 \pm 50

NO.3-NO.4	
PART NO	NOTE
01~99	SERIAL NUMBER



⑤	Terminal	—	4	Phosphor Bronze	Plating silver	—
④	Contact	—	1	F.Ag/C5210	—	—
③	Base	—	1	PA46	Black	—
②	Cover	—	1	SPCC	Plating Sn	—
①	Keystoke	—	1	PA46	White	—
ITEM	PART NAME	TER'NO.	QTY.	MATERIAL	FINISHING	REMARK

APPROVALS			DATE		 ELECTRONICS CO.,LTD		
DRAWN	xu qi feng		2014.10.28				
CHECKED					TITLE:	TACT SWITCHS	
APPROVALS					PART NO.	K2-1156SP-□□DW-□□	
TOLERANCES ARE			30~以下	± 0.30	ANGLE	UNIT: mm	SCALE: 1:1
			10~30	± 0.20			
			5~10	± 0.15			
			~ 5	± 0.10			
				$\pm 2'$	DRAWING NO.	—	
					PROJ:		

ECN NO.	REV.	DATE.	DESCRIPTION.	CHANGE.	CHECK.	APPRO.
	A		NEW			