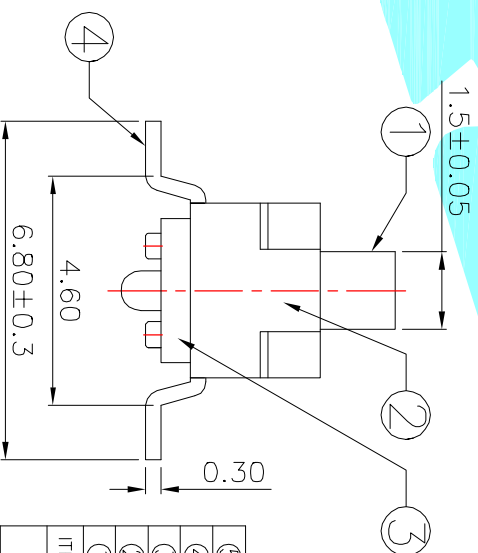
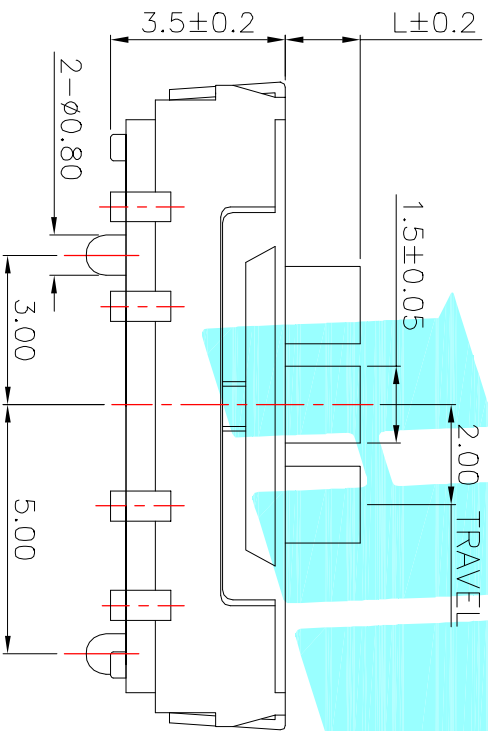


Circuit Diagram

PCB Layout (Pattern side)

Typical Specifications :
 1. Rating : DC 6V 0.3A
 2. Life:10,000 Cycles Min.



PART NO.	L	Operating force
K3-2336S-F1	2	250±100gf
K3-2336S-K1	3	
K3-2336S-L1	4	

ITEM	PART NAME	TER.NO.	QTY.	MATERIAL	FINISHING	REMARK
⑤	Contact Spring	—	2	Beryllium copper	Ag Plated	—
④	Terminal	—	8	Brass Strip	Ag Plated	—
③	Base	—	1	NYLON	Black	—
②	Cover	—	1	SUS	Natural	—
①	KNOB	—	1	NYLON	White	—

APPROVALS		DATE	TITLE:	
DRAWN	J.X.Zhong	2013/9/26	TOGGLE SWITCHES	
CHECKED			ELECTRONICS CO.,LTD	
APPROVALS			HROE	

ECN NO.	REV.	DATE.	DESCRIPTION.	CHANGE.	CHECK.	APPRO.	TOLERANCES ARE	ANGLE	UNIT:	SCALE:	PROJ:	SHEET
	A		NEW				30~0.1±	±0.30	mm	1:1	①	1 OF 1
							10~0.30	±0.20				
							5~1.0	±0.15				
							~5	±0.10				