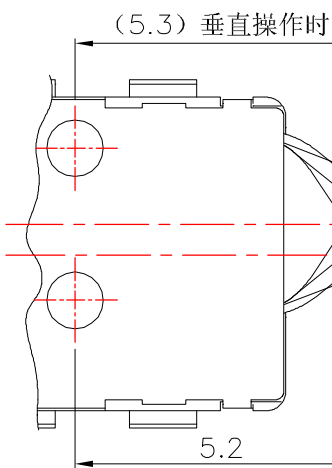
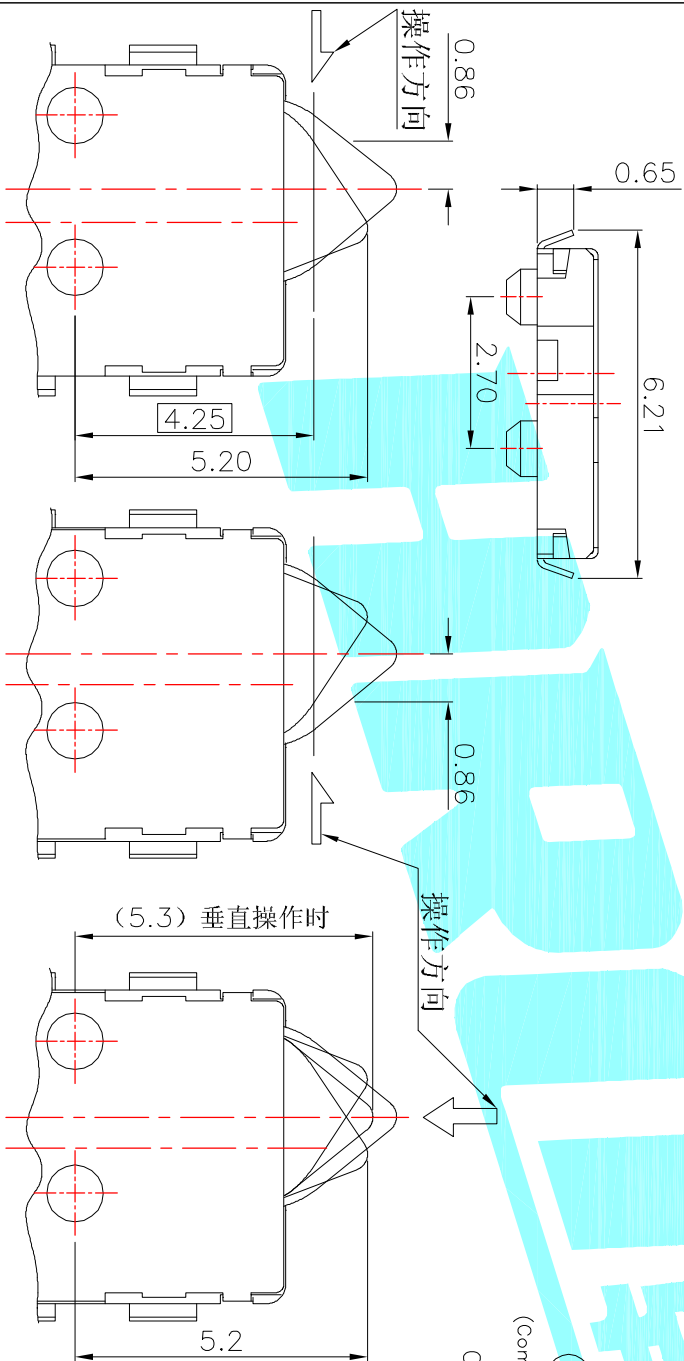


Circuit Diagram

NOTE:
 Rating: DC 12V 50mA
 Operating Force: 20±10gf
 Lifetime: 100,000 Cycles

PART NO.	REMARK
K5-1618UA-01	
K5-1618UN-01	



ITEM	PART NAME	TER'NO.	QTY.	MATERIAL	FINISHING	REMARK
⑥	Spring	—	1	SUS	Ag Plated	
⑤	Contact Spring	—	1	Phosphor Bronze	Ag Plated	
④	Terminal	—	4	Phosphor Bronze	Ag Plated	
③	Base	—	1	LCP	Black	
②	Cover	—	1	SUS	Natural	
①	Slider	—	1	PA46	Black	

APPROVALS	DATE	TITLE:
DRAWN J.X.Zhang	2013/9/5	DETECTOR SWITCHES

ECN NO.	REV.	DATE.	DESCRIPTION.	CHANGE.	CHECK.	APPRO.
	A		NEW			

TOLERANCES ARE	ANGLE	UNIT:	SCALE:	SHEET
30~12.5 ±0.30 10~30 ±0.20 5~10 ±0.15 ~5 ±0.10	±2°	mm	1:1	1 OF 1