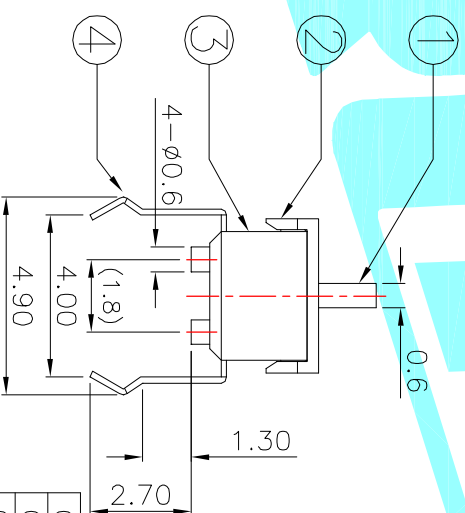
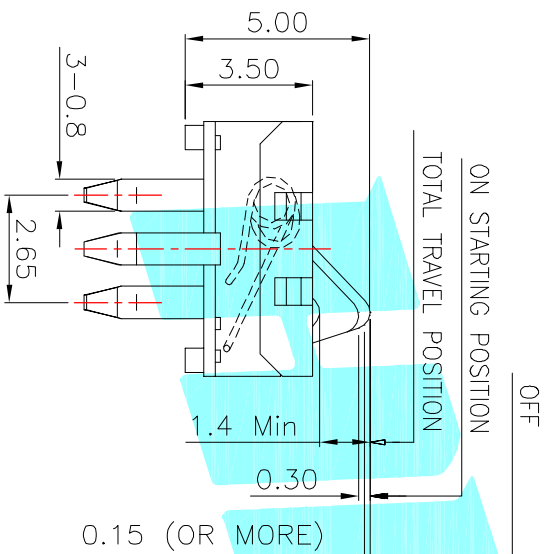


PCB Layout(Pattern side)

Circuit Diagram



NOTE:
 Rating: DC 5V 1mA
 Operating Force: 30±10gf
 Lifetime: 100,000 Cycles

ITEM	PART NAME	TER'NO.	QTY.	MATERIAL	FINISHING	REMARK
⑤	Contact Spring	—	1	Phosphor Bronze	Ag Plated	—
④	Terminal	—	4	Phosphor Bronze	Ag Plated	—
③	Base	—	1	NYLON	Black	—
②	Cover	—	1	NYLON	Black	—
①	Slider	—	1	NYLON	White	—

APPROVALS

DRAWN J.X.Zhang 2013/9/12



TITLE: DETECTOR SWITCHS

CHECKED

PART NO. K5-1664DA-01

APPROVALS

SCALE: 1:1

ECN NO.	REV.	DATE.	DESCRIPTION.	CHANGE.	CHECK.	APPRO.	TOLERANCES ARE	ANGLE	UNIT:	SCALE:	PROJ:	SHEET
	A		NEW				30~0.12 ±	±0.30	mm	1:1	PROJ: 1664DA-01	1 OF 1
							10~0.30	±0.20				
							5~10	±0.15				
							~5	±0.10				