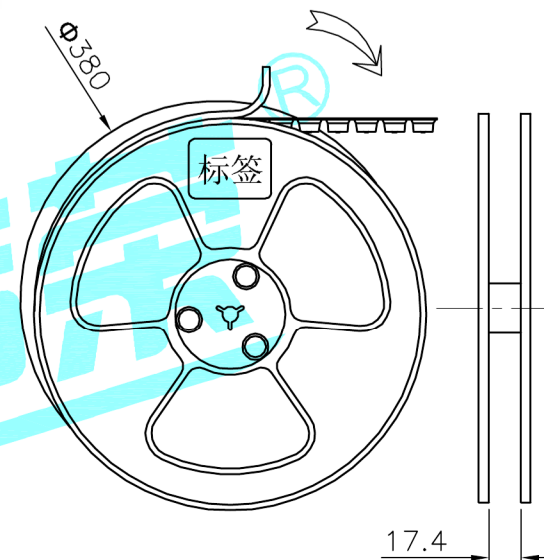
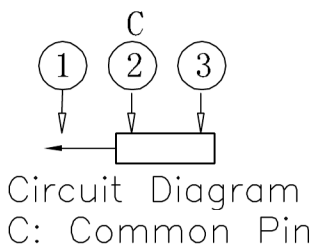
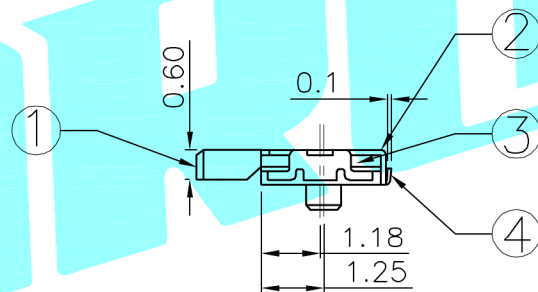
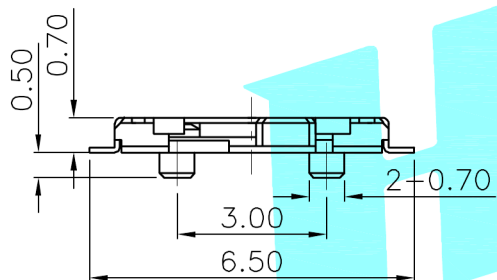


PCB Layout (Pattern side)

包装规格: 载带包装



数量 (PCS):
1盘: 5000



Typical Specifications :

- 1. Rating : DC 4V 0.3A
- 2. Life:10,000 Cycles Min.
- 3. Operating force:100⁺¹⁰⁰₋₅₀gf
- 4. Travel: 1.40mm

⑤	Contact Spring	—	1	Phosphor Bronze	Ag Plated	—
④	Terminal	—	3	Phosphor Bronze	Ag Plated	—
③	Base	—	1	NYLON	Black	—
②	Cover	—	1	SUS	Sn Plated	—
①	KNOB	—	1	NYLON	Black	—
ITEM	PART NAME	TER'NO.	QTY.	MATERIAL	FINISHING	REMARK

APPROVALS		DATE	 ELECTRONICS CO.,LTD			
DRAWN	xu qi feng	2014.11.07				
CHECKED			TITLE:	TOGGLE SWITCHES		
APPROVALS			PART NO.	K3-1295S-E1		
TOLERANCES ARE	30~以下	±0.30	ANGLE	UNIT: mm	SCALE: 1:1	PROJ:
	10~30	±0.20				
	5~10	±0.15	±2'	DRAWING NO.		SHEET 1 OF 1
	~ 5	±0.10				

ECN NO.	REV.	DATE.	DESCRIPTION.	CHANGE.	CHECK.	APPRO.
	A		NEW			