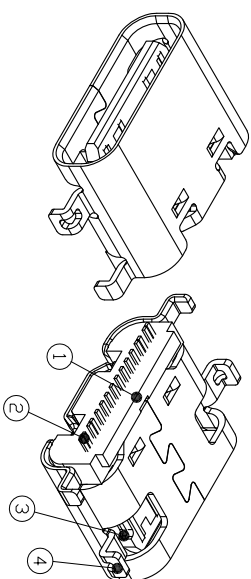
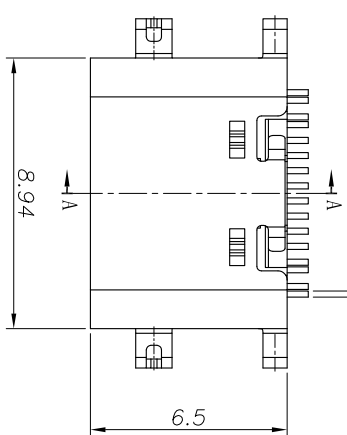


1 ROHS

0.20±0.05(16X)



NOTE:

1.MATERIAL SPECIFICATION:

1.HOUSING:HIGH TEMPERATURE RESISTANT PLASTIC,UL94 V-0.

2.CONTACTS:COPPER ALLOY

3.MID PLATE: STAINLESS STEEL

4.FRONT SHELL: STAINLESS STEEL

2.PLATING SPECIFICATION:

2-1.CONTACTS:

Ni 50u" MIN. UNDER PLATED OVER ALL.

AU PLATED ON THE FUNCTIONAL AREA OF CONTACT.

(GOLD PLATING THICKNESS FOLLOW THE P/N)

PLATING SPECIFICATIONS OF THE SOLDER AREA FOLLOW THE P/N

2-2.FRONT SHELL:

Ni 30u" MIN. UNDER PLATED OVER ALL.

2-3.MID PLATE:

CLEAR ONLY

3.MECHANICAL PERFORMANCE:

3-1.INSERTION FORCE: 0.5~2.0kgf.

3-2.REMOVAL FORCE: 0.8kgf~2.0kgf.

3-3.DURABILITY: 10000 CYCLES.

4.ELECTRICAL PERFORMANCE:

4-1. CURRENT RATING:3.0A

VOLTAGE RATING:5.0V

4-2. LCR:

VBUS & GND PINS AND OTHER PINS: 40mΩ/PIN MAX.

SHIELD: 50mΩ/MAX.

LCR MAX. CHANGE OF ALL PINS: 10mΩ.

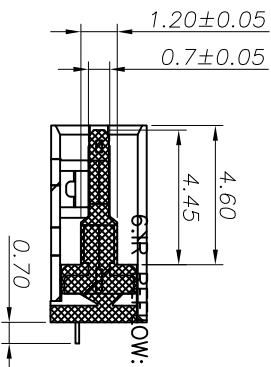
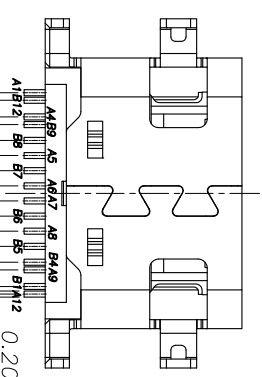
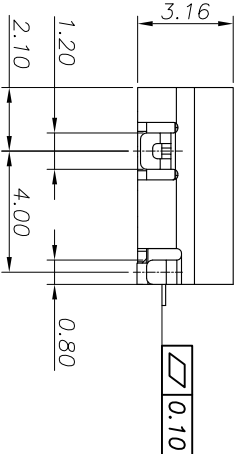
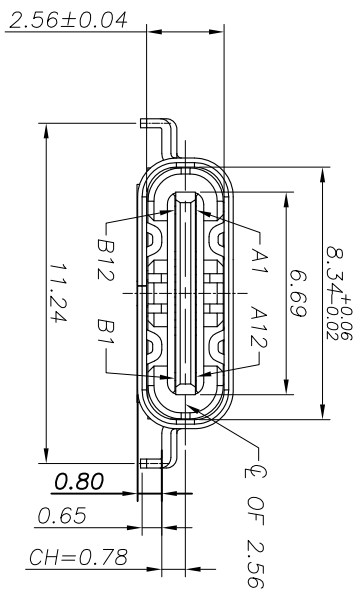
4-3.INSULATION RESISTANCE: 100MΩ MIN

4-4.DIELECTRIC WITHSTAND VOLTAGE:AC 100V FOR 1 MINUTE.

5. ENVIRONMENTAL PERFORMANCE:

OPERATING TEMPERATURE: -25°C~+85°C.

THE PEAK TEMPERATURE ON THE BOARD SHALL BE MAINTAINED FOR 10 SECONDS AT 260°C.



SECTION-A-A

产品图
公差一览表
PRODUCT CHART DWG

深圳市精拓金电子有限公司

TOLERANCE UNLESS OTHERWISE	公差
X ±0.35	X ±5°
X ±0.20	X ±2°
XX ±0.10	XX ±1°
XXX ±0.05	XXX ±0.5°

单位	MM	制图	GAVIN	制图料号
UNITS	MM	DRAWING		PRODUCT PART NO.
比例	1:1	审核	郭治富	产品名称
DATE	2016-09-09	核准	黄国荣	PRODUCT NO.
		APPR		角法
				VER
				版本
				AD

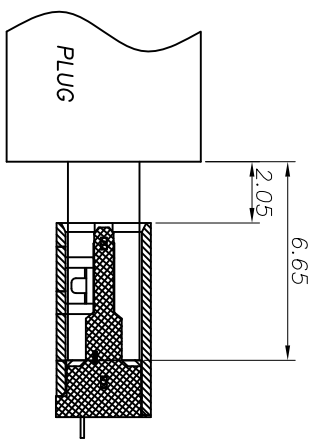
USB OF 16PIN (I=6,5)
MID MOUNT CH=0.78

1 ROHS

7 MAPX

8 MODIFICATION

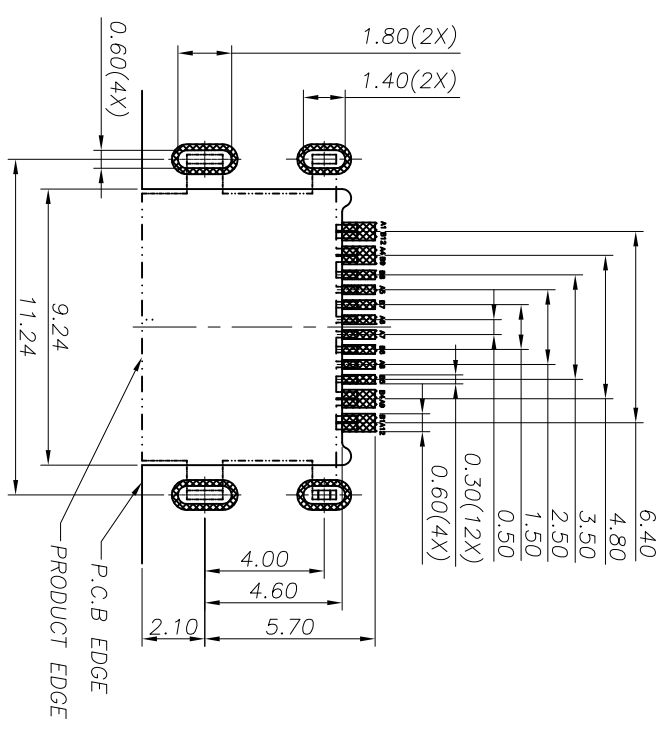
10 DATE



AFTER MATING

USB TYPE-C PIN ASSIGNMENTS

PIN NUMBER	SIGNAL NAME	PIN NUMBER	SIGNAL NAME
A1	GND	B12	GND
A4	VBUS	B9	VBUS
A5	CC1	B8	SBU2
A6	Dp1	B7	Dn2
A7	Dn1	B6	Dp2
A8	SBU1	B5	CC2
A9	VBUS	B4	VBUS
A12	GND	B1	GND



RECOMMENDED PCB LAYOUT(TOP VIEW)
THICKNESS 0.80MM;DEFAULT TOLERANCE:±0.05

TABLE 1

ITEM	P/N	HOUSING COLOR	FUNCTIONAL AREA	SOLDER AREA
1	ACF002-1A1H1A103-0HR	BLACK	Au:3u"	Au:G/F
2				

产品图
PRODUCT CHART DWG

深圳市精拓金电子有限公司

公差一览表		单位	MM	制图	制图料号
TOLERANCE UNLESS OTHERWISE	±0.35	X	±5°	审核	PRODUCT PART NO
	±0.20	X	±2°	核准	产品名称
	±0.10	XX	±1°	日期	PRODUCT NO
	±0.05	XXX	±0.5°	DATE	角法

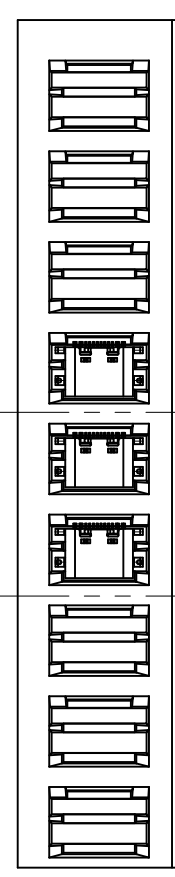
2016-09-09	黄国荣	USB CF 16PIN (L=6.5)	版本
		MID MOUNT CH=0.78	AD

ROHS

REEL OFF SECTION
(16 POCKETS)

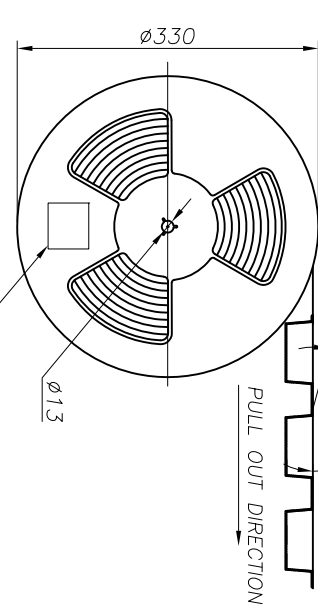
1400PCS

PULL OUT DIRECTION
(16 POCKETS)

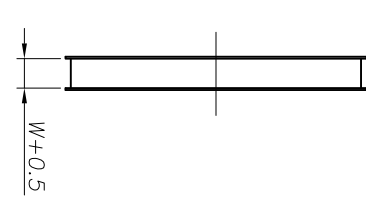


SEE DETAIL X

PEELING DIRECTION
PEELING ANGLE
165°~180°

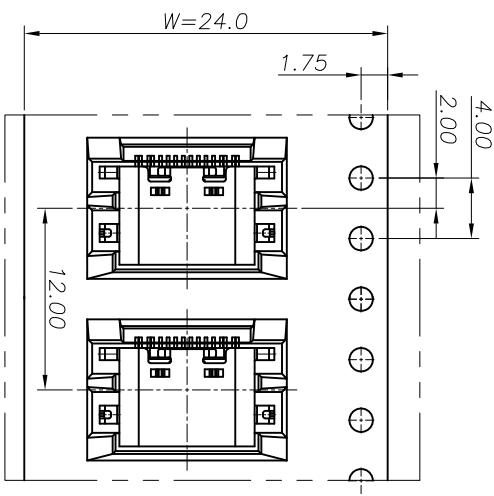


PULL OUT DIRECTION



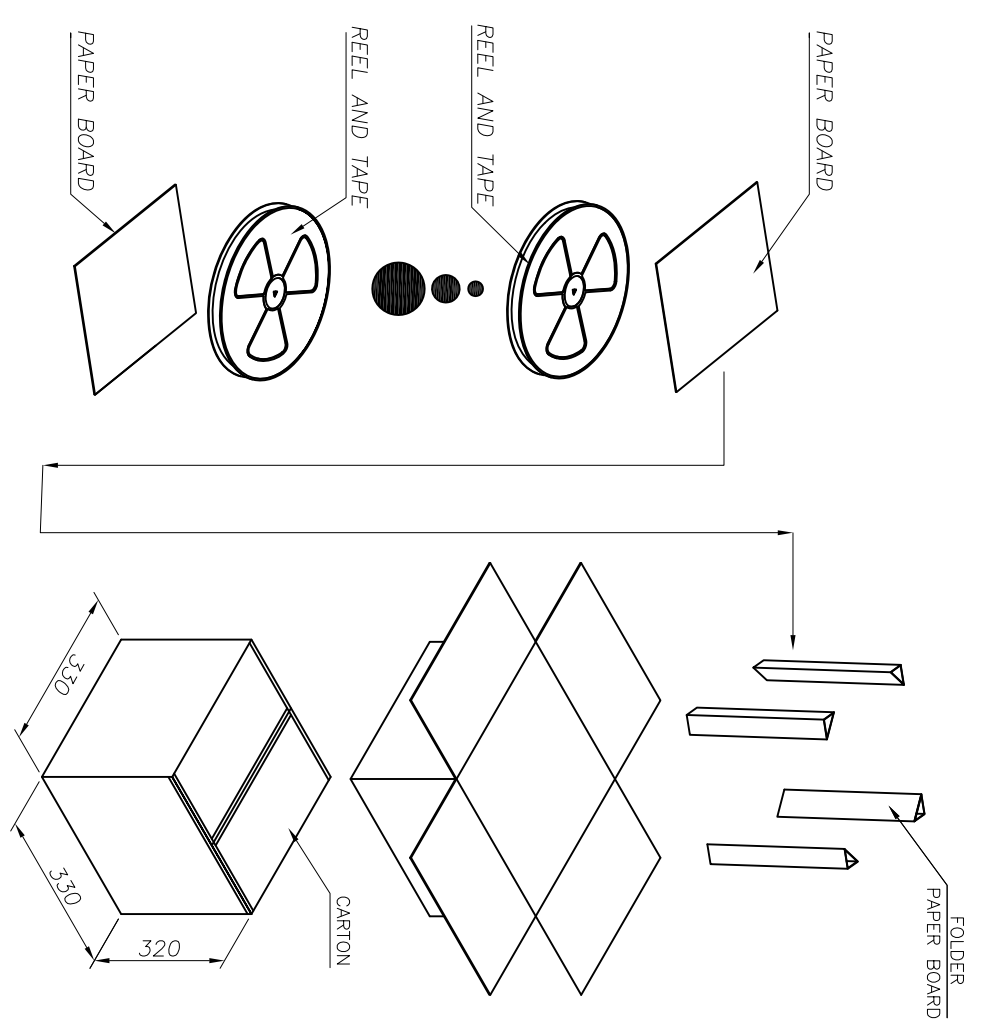
REEL OFF DIRECTION

W=24.0



PULL OUT DIRECTION

MAPX	MODIFICATION	DATE
------	--------------	------



产品图
公差一览表

深圳市精拓金电子有限公司

TOLERANCE UNLESS OTHERWISE		单位	MM	制图	Gavin	制料号	USB CF 16P1N (I=6; 5)
X	±0.35	X	±5°	审核	郭治富	产品名称	MID MOUNT CH=0.78
X	±0.20	X	±2°	核准	黄国荣	角法	
XX	±0.10	XX	±1°	日期	2016-09-09	VER	AD
XXX	±0.05	XXX	±0.5°	DATE			