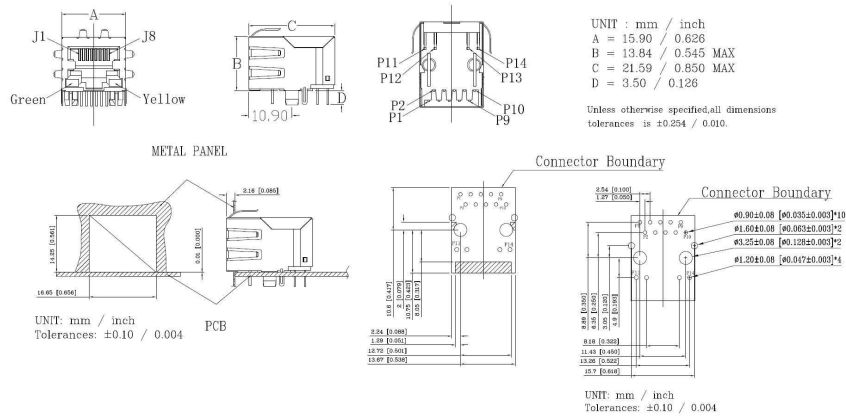
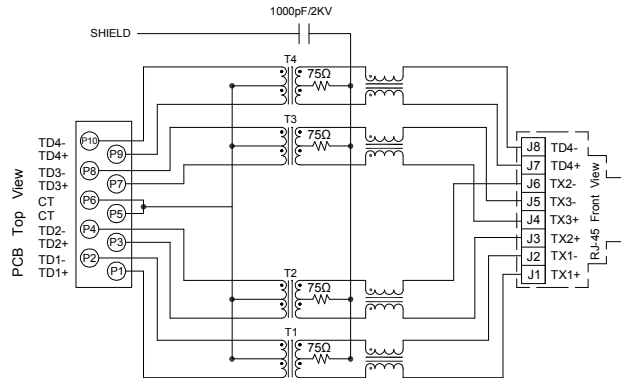


一、外观尺寸图



二、线路图



| Standard LED | Wavelength | Forward*V(MAX) | TYP |
|--------------|------------|----------------|------|
| Green | 565nm | 2.5v | 2.2v |
| Yellow | 585nm | 2.5v | 2.1v |

With a forward current of 20mA

三、电气特性@25°C:

- 圈比($\pm 5\%$)(P1-P2):(J1-J2) = 1:1
 (P3-P4):(J3-J6) = 1:1
 (P7-P8):(J4-J5) = 1:1
 (P9-P10):(J7-J8) = 1:1
- 初级电感(100KHz/0.1V@8mA): 350uH MIN@0°C TO +70°C
- 直流电阻: 1.2 Ω MAX
- 插入损耗(dB MAX): -1.0dB(1-100MHz), -1.2dB(100-125MHz)
- 反馈损耗(dB MIN): -16dB(1-40MHz), -12dB(40-60MHz), -10dB(60-80MHz),
 -8dB(80-100MHz)
- 串音干扰(dB MIN): -30dB(1-100MHz)
- 共模抑制(dB MIN): -30dB(1-100MHz),
- 耐压(Pri to Sec): 2250VDC
- 操作温度: -40°C TO +85°C
- 符合 RoHS 标准



元册科技股份有限公司

YUAN DEAN SCIENTIFIC CO., LTD.

TITLE

RJ45 1000 BASE-T SINGLE PORT
 JACK MAGNETICS

P/N

48F-01BGY2DPLZXNL

REV.

1.0

PAGE NO

1-4

DATE

2017-12-18

AP'PD

Hsu

DWN

Zhou sheng mei

| REV. | DESCRIPTION | DATE | DWN | AP'PD |
|------|-------------|------|-----|-------|
| | | | | |
| | | | | |
| | | | | |

四、材料

| REV. | DESCRIPTION | DATE | DWN | AP'PD |
|------|-------------|------|-----|-------|
| | | | | |
| | | | | |

Notes:

- CONNECTOR MATERIAL:
 HOUSING:THERMOPLASTIC BLACK UL94 V-0
 SHIELD:Brass
 SHIELD PLATING:NICKEL
 CONTACT:PHOSPHOR BRONZE
 CONTACT PLATING: SELECTIVE GOLD, 6 MICRO-INCHS MIN IN CONTACT AREA
- PIN NOT ELECTRICALLY CONNECTED MAYBE OMITTED SEE ELECTRICAL DRAWING FOR OMITTED PINS
- RJ45 CAVITIES CONFORM TO FCC RULES AND REGULATION PART 68.
- STORAGE TEMPERATURE T=-40° C TO +85° C.

六、包装

- 包装单位 : 60 PCS/盘
- 外箱单位: 1200 pcs/ 20 盘/箱

五、产品型号:

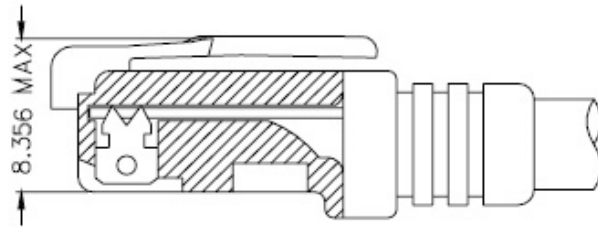
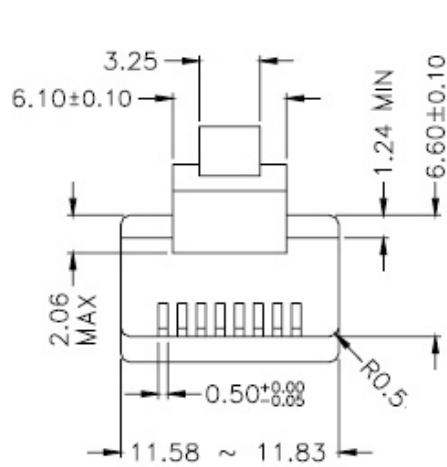
48F-01BGY2DPLZXNL

RoHS version
 Gold Plating:1=3u",2=6u",3=15u",4=30u",5=50u",

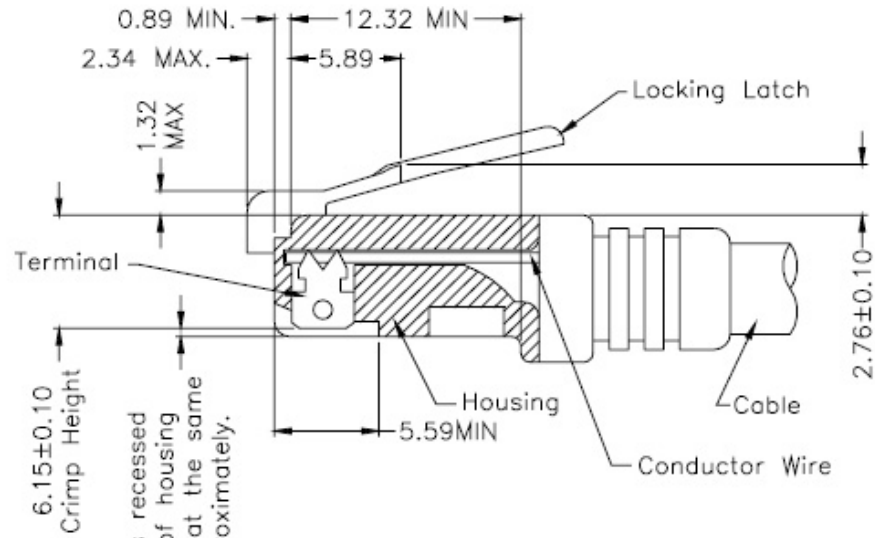
| | | | | |
|---|---|--|------|----------------|
|  |  元册科技股份有限公司 YUAN DEAN SCIENTIFIC CO., LTD. | | | |
| | TITLE | RJ45 1000 BASE-T SINGLE PORT JACK MAGNETICS | | |
| | P/N | 48F-01BGY2DPLZXNL | REV. | 1.0 |
| | PAGE NO | 2-4 | DATE | 2017-12-18 |
| | AP'PD | Hsu | DWN | Zhou sheng mei |

七、RJ 插头规范

| REV. | DESCRIPTION | DATE | DWN | AP'PD |
|------|-------------|------|-----|-------|
| | | | | |
| | | | | |



FOLLOW SPECIFICATION : FCC, PART 68, SUBPART F
FIGURE 68.500 (C)(2)(ii)



All contacts recessed below top of housing and must be at the same height approximately.

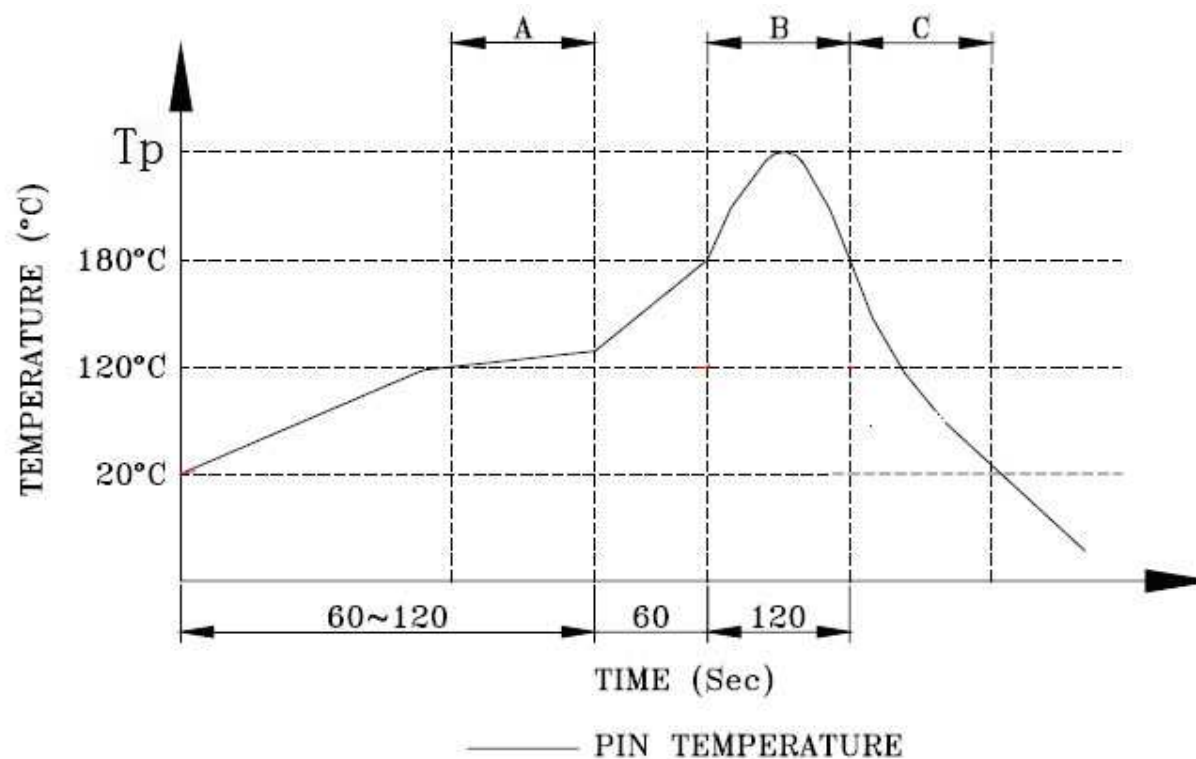
FOLLOW SPECIFICATION : FCC, PART 68,
SUBPART F FIGURE 68.500 (C)(2)(i)
AND IEC 603-7 FIGURE 23 & 24

STANDARD MODULAR PLUG ASSEMBLY

| | | | | |
|--|---|--|------|----------------|
| | 元册科技股份有限公司 YUAN DEAN SCIENTIFIC CO., LTD. | | | |
| | TITLE | RJ45 1000 BASE-T SINGLE PORT JACK MAGNETICS | | |
| | P/N | 48F-01BGY2DPLZXNL | REV. | 1.0 |
| | PAGE NO | 3-4 | DATE | 2017-12-18 |
| | AP'PD | Hsu | DWN | Zhou sheng mei |

八、波峰焊建议

| REV. | DESCRIPTION | DATE | DWN | AP'PD |
|------|-------------|------|-----|-------|
| | | | | |
| | | | | |



A. Preheating B. Soldering C. Gradual Cooling

建议的波峰焊曲线

1. 峰值温度 (TP) : 250 ± 10°C

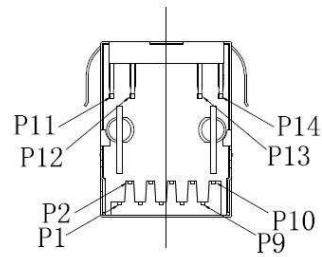
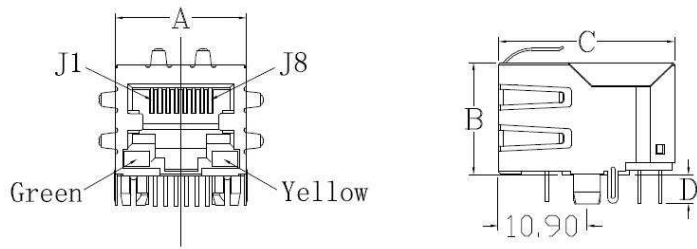
2. 峰值温度 (TP) 时间: 10sec max



元册科技股份有限公司

YUAN DEAN SCIENTIFIC CO., LTD.

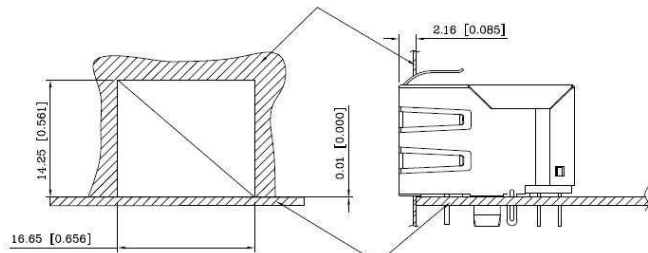
| | | | |
|---------|---|------|----------------|
| TITLE | RJ45 1000 BASE-T SINGLE PORT JACK MAGNETICS | | |
| P/N | 48F-01BGY2DPLZXNL | REV. | 1.0 |
| PAGE NO | 4-4 | DATE | 2017-12-18 |
| AP'PD | Hsu | DWN | Zhou sheng mei |



UNIT : mm / inch
 A = 15.90 / 0.626
 B = 13.84 / 0.545 MAX
 C = 21.59 / 0.850 MAX
 D = 3.50 / 0.126

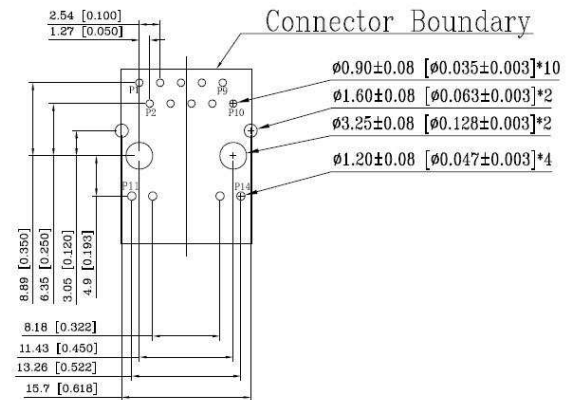
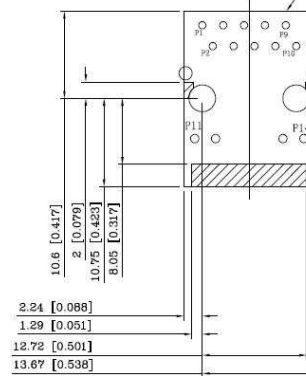
Unless otherwise specified, all dimensions tolerances is $\pm 0.254 / 0.010$.

METAL PANEL



UNIT: mm / inch
 Tolerances: $\pm 0.10 / 0.004$ PCB

Connector Boundary



UNIT: mm / inch
 Tolerances: $\pm 0.10 / 0.004$