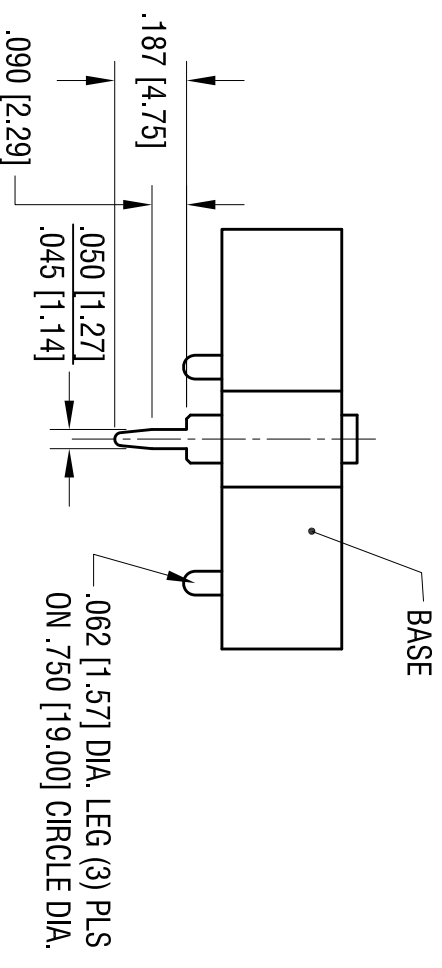
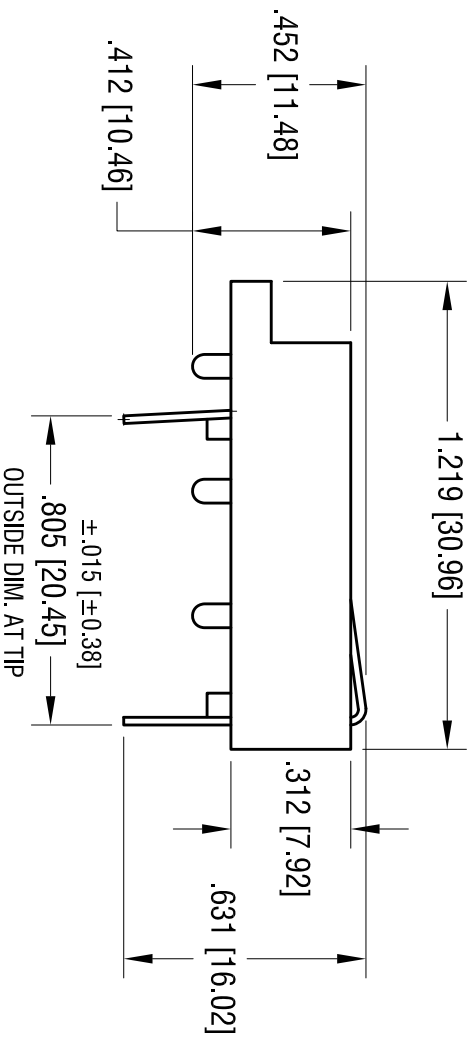
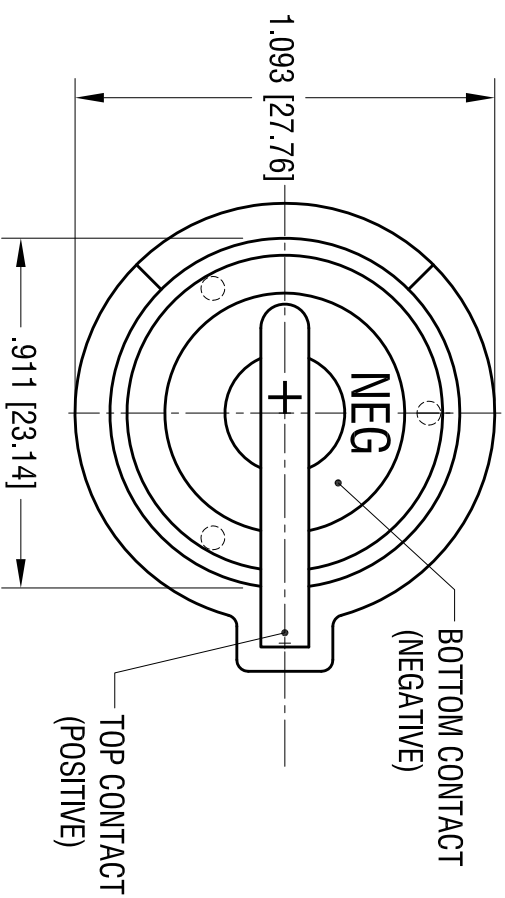
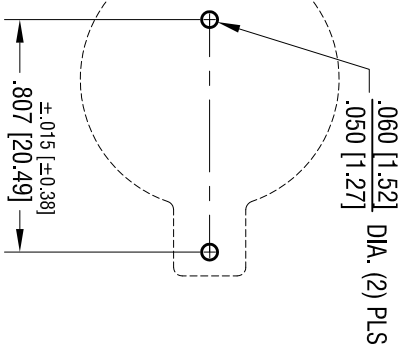


**MOUNTING HOLES**



DATE	DESCRIPTION	REV.
9.20.04	CHANGE AS PER ECN 04-117	D
11.02.11	CHANGE AS PER ECN 11-145	E

**KEYSTONE ELECTRONICS CORP.**  
 www.keystec.com • ASTORIA, N.Y. 11105-2017 • Tel (718) 956-8900

PART NAME

DUAL BATTERY HOLDER

MATERIAL

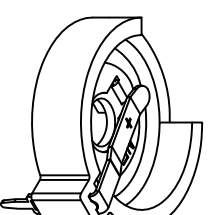
AS NOTED

FINISH

AS NOTED

TOLERANCES	INCH	[MM]	CODE	DRN BY	DATE
DECIMAL	± .010	[± 0.25]	C	BOONE	8.15.84
ANGULAR	± 1°			LN	SCALE 2X

**ACTUAL SIZE**



- NOTES:**
1. BASE:  
MAT'L - PBT (UL 94V-0), COLOR BLACK
  2. CONTACTS (TOP AND BOTTOM):  
MAT'L - .020 [0.50] THK SPRING STEEL  
FINISH: TIN NICKEL PLATE

THIS DOCUMENT IS THE PROPERTY OF KEYSTONE ELECTRONICS CORP. AND SHALL NOT BE REPRODUCED, DISTRIBUTED OR USED AS A BASIS FOR MANUFACTURE WITHOUT PRIOR WRITTEN PERMISSION FROM KEYSTONE ELECTRONICS CORP.

1027