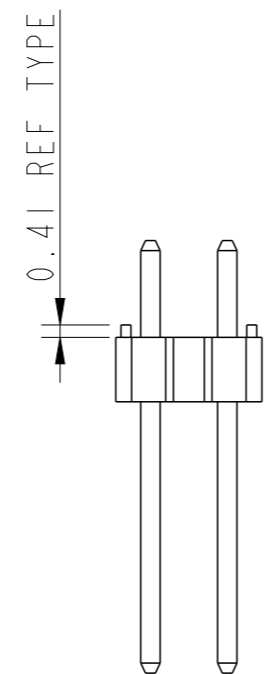
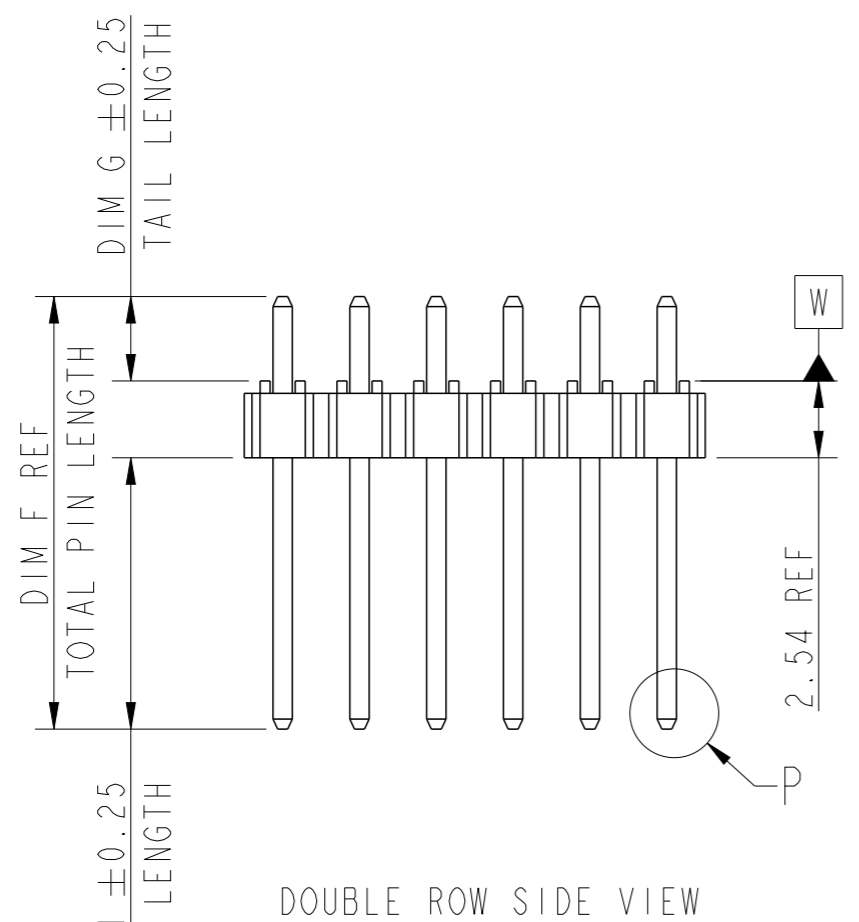
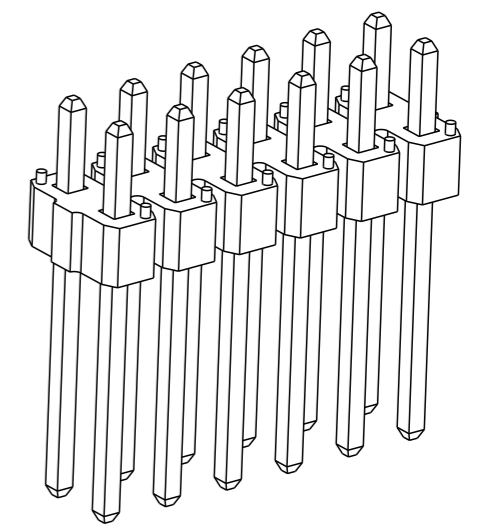
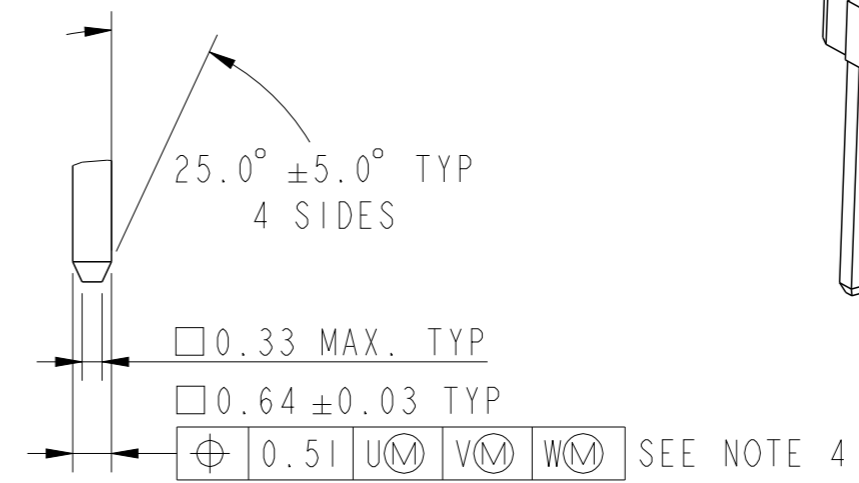
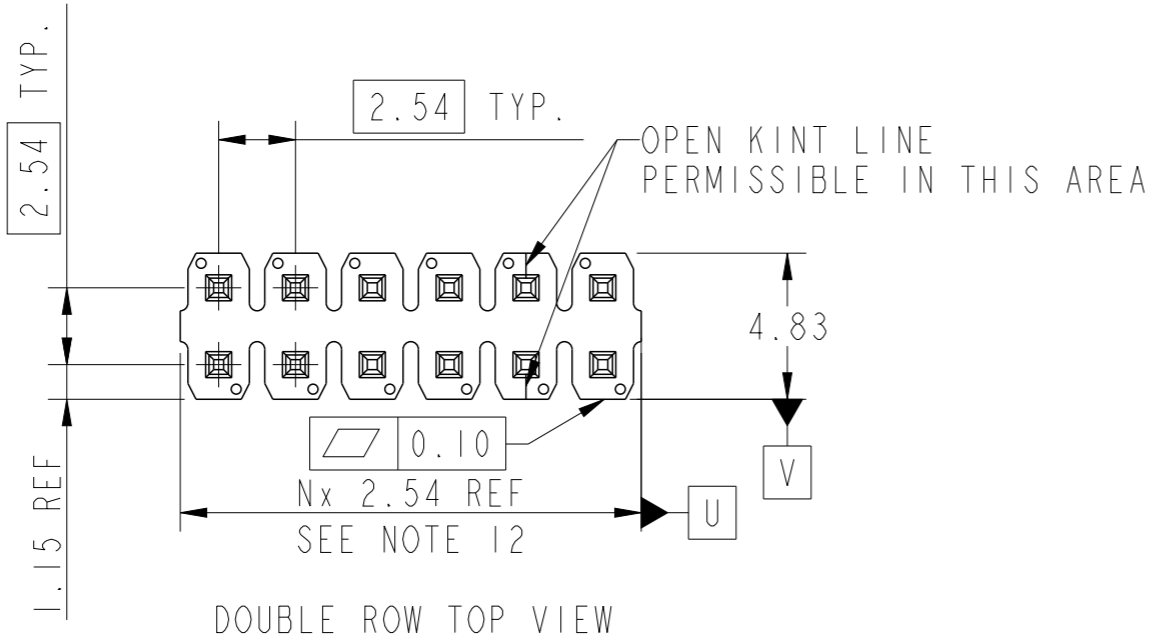
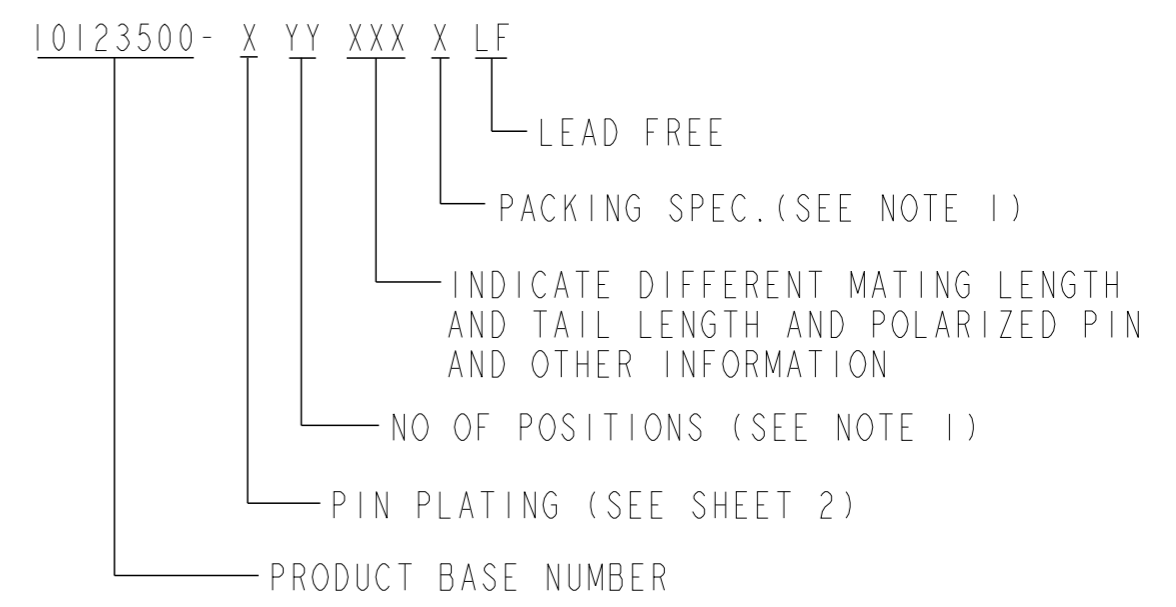


PART NUMBER
10123500



PRODUCT NUMBER CODES



Copyright FCI.
FCI

spec ref	BUS-12-050			dr	Brandon Ding	2013/01/23	projection	MM	size	A3	scale	1:1
tolerance std	TOLERANCES UNLESS OTHERWISE SPECIFIED			eng	Zheng-Kun Hu	2014/09/15			ecn no		ELX-N-18807-1	
surface	✓	linear	0.X ±0.3 0.XX ±0.13 0.XXX ±0.051	chr	-	-			rel level		Released	
ISO 1302		angular	0° ±2°	appr	Rick Bian	2014/09/15	product family		-	rev	D	
						BERGSTIK HEADER D/R 2.54 Pitch Straight		dwg no 10123500		sheet 1 of 3		
				www.fci.com		cat. no. -		Product - Customer Drw		Printed: Sep 15, 2014		

PIN WIRE PLATING CODES:	
10123500-1YYXXLF	30u" MIN GXT OVER 50u" MIN Ni
10123500-2YYXXLF	15u" MIN GXT OVER 50u" MIN Ni
10123500-3YYXXLF	50u" MIN GXT OVER 50u" MIN Ni
10123500-4YYXXX	100u" MIN MATTE Sn OVER 50u" MIN Ni (SEE NOTE 11)
10123500-4YYXXLF	
10123500-5YYXXLF	15u" MIN Au OVER 50u" MIN Ni
10123500-6YYXXLF	30u" MIN Au OVER 50u" MIN Ni

NOTES:

1. PART NUMBER OPTIONS:

PIN PLATING CODES (SEE ABOVE)

NUMBER OF POSITIONS :

EVEN NUMBER OF POSITIONS FROM 2 (2X1) THROUGH 72 (2X36) FOR BERGSTIK. -X00 INDICATES BERGSTRIIP PRODUCT. FOR SPECIAL GEOMETRY OF THIS CONTINUOUS STRIP PRODUCT. AUTOMATED REELS WILL CONTAIN 20,000 PINS. SEE SPECIFIC PART NUMBERS FOR AVAILABILITY.

PACKAGING:

PACKAGED IN POLY BAGS.

THE FIFTEENTH DIGIT PART NUMBERS FOLLOWED BY A "T" ARE PACKAGED IN TUBES.

THE FIFTEENTH DIGIT PART NUMBERS FOLLOWED BY A "A" ARE PACKAGED IN TAPE AND REEL WITH CAP.

LEAD FREE:

ADD "LF" SUFFIX AT THE END OF PART NUMBER FOR LEAD FREE OPTION.

2. BODY MATERIAL:

HIGH TEMPERATURE LCP THERMOPLASTIC, FLAME RETARDENT PER UL-94V-0. COLOR: BLACK

3. PIN MATERIAL: BRASS.

4. MEASURED WITH PART IN RESTRAINED CONDITION.

5. TWO SIDES OF PIN TIPS NOT PLATED. TYPICAL BOTH ENDS.

6. 2LBS/0.9KG MIN PIN RETENTION IN EITHER DIRECTION.

7. POSITIONS PER ROW 37 TO 50 CAN BE PRODUCED, BUT FLATNESS AND CURVATURE MAY NOT BE HELD AS CLOSE AS 36 POSITIONS.

8. THESE PRODUCTS MEETS EUROPEAN UNION DIRECTIVES AND OTHER COUNTRY REGULATION AS DESCRIBED IN GS-22-008.

9. THIS PRODUCT HAS 100% TIN PLATING IN THE INTERFACE AND HAS NOT BEEN TESTED FOR WHISKER GROWTH IN ALL INTERCONNECT ENVIRONMENTS.

10. INCREMENTS BY 0.1mm IN LENGTHS ONLY

11. FOR SPECIAL PACKAGING REQUEST PLEASE CONTACT PRODUCT MANAGER FOR AVAILABILITY

12. TO DETERMINE DIMENSIONS:

N=NUMBER OF POSITION PER ROW

EXAMPLE: 10 POS. N X .100/2.54

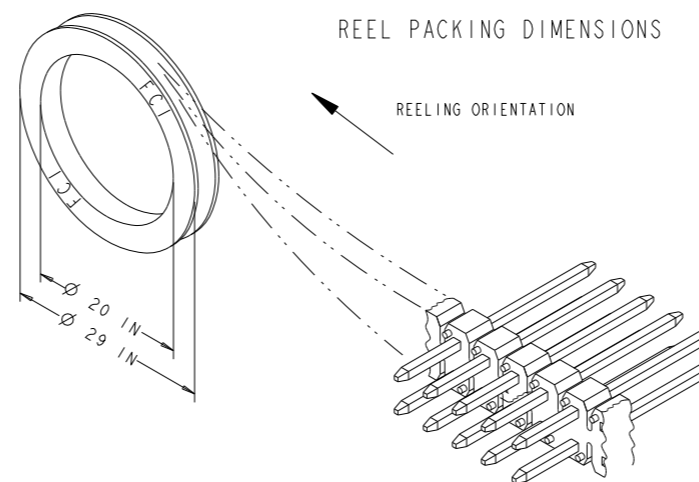
13. THE SYMBOL DIMENSION " ■ " DEPICT KEY PRODUCT CHARACTERISTICS.

spec ref	BUS-12-050			dr	Brandon Ding	2013/01/23	projection	MM	size	A3	scale	1:1	
tolerance std	TOLERANCES UNLESS OTHERWISE SPECIFIED			eng	Zheng-Kun Hu	2014/09/15			ecn no		ELX-N-18807-1		
				chr	-	-			rel level		Released		
surface	✓	linear	0.X	±0.3		www.fci.com	product family			-	rel level	Released	
			0.XX	±0.13			cat. no.	-	Product - Customer Drw				sheet 2 of 3
ISO 1302		angular	0°	±2°									



PIN DIMENSIONS CODES:

PART NUMBER	TOTAL PIN LENGTH	TAIL LENGTH	MATING LENGTH	PACKING	NOTES	LF OPTION
	DIM F	DIM G	DIM H			
10123500-XXX001LF	14.30	2.79	8.97	POLY BAGS	--	SEE NOTE 1
10123500-XXX002LF	16.00	2.41	11.05	POLY BAGS	--	SEE NOTE 1
10123500-XXX003LF	17.20	2.40	12.26	POLY BAGS	--	SEE NOTE 1



spec ref	BUS-12-050			dr	Brandon Ding	2013/01/23	projection	MM	size	A3	scale	1:1	
tolerance std	TOLERANCES UNLESS OTHERWISE SPECIFIED			eng	Zheng-Kun Hu	2014/09/15			ecn no		ELX-N-18807-1		
surface	linear	0.X	±0.3	chr	-	-			product family		rel level		
ISO 1302	angular	0°	±2°	appr	Rick Bian	2014/09/15				BERGSTIK HEADER D/R 2.54 Pitch Straight		dwg no 10123500	rev D
				www.fci.com	cat. no.	-	Product - Customer Drw			sheet 3 of 3			



Copyright FCI.