

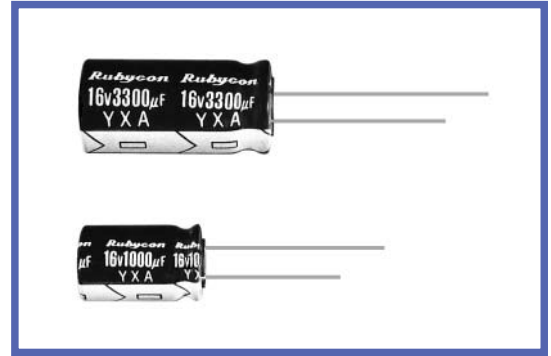


MINIATURE ALUMINUM ELECTROLYTIC CAPACITORS

YXA

YXA SERIES

Previous Series



105°C Standard

◆FEATURES

- RoHS compliance.

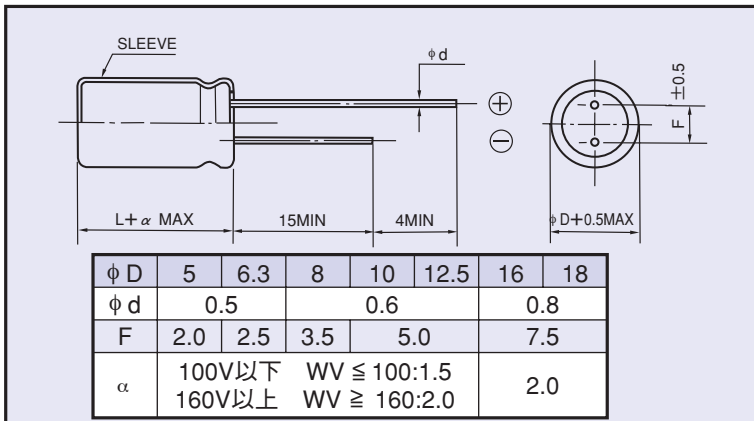
◆SPECIFICATIONS

| Items | 特 性 Characteristics | | | |
|---|--|---|---------------------------|-----------------|
| Category Temperature Range | -55~+105°C | -40~+105°C | -25~+105°C | |
| Rated Voltage Range | 6.3~100V.DC | 160~250V.DC | 350~450V.DC | |
| Capacitance Tolerance | ±20% (20°C, 120Hz) | | | |
| Leakage Current(MAX) | 6.3~100V.DC | | 160~450V.DC | |
| | I=0.01CV or 3 µA whichever is greater. (After 2 minutes application of rated voltage) | | CV ≤ 1000 | |
| | | | CV > 1000 | |
| | | I=0.1CV+40 µA (1minute) | I=0.04CV+100 µA (1minute) | |
| | | I=0.03CV+15 µA (5minutes) | I=0.02CV+25 µA (5minutes) | |
| I=Leakage Current(µA) C=Rated Capacitance(µF) V=Rated Voltage(V) | | | | |
| (tanδ) Dissipation Factor(MAX) | Rated Voltage (V) | 6.3 10 16 25 35 50 63 100 160 200 250 350 400 450 | (20°C, 120Hz) | |
| | tan δ | 0.26 0.22 0.18 0.16 0.14 0.12 0.10 0.08 0.20 0.20 0.20 0.24 0.24 0.24 | | |
| When rated capacitance is over 1000 µF, tan δ shall be added 0.02 to the listed value with increase of every 1000 µF. | | | | |
| Endurance | After life test with rated ripple current at conditions stated in the table below, the capacitors shall meet the following requirements. | | | |
| | Capacitance Change | Within ±25% of the initial value. | | Case Size |
| | Dissipation Factor | Not more than 200% of the specified value. | | Life Time (hrs) |
| | Leakage Current | Not more than the specified value. | | φ D ≤ 8 |
| | | | | φ D = 10 |
| | | | | φ D ≥ 12.5 |
| | | | | 3000 |
| Low Temperature Stability Impedance Ratio(MAX) | Rated Voltage (V) | 6.3 10 16 25 35 50 63 100 160 200 250 350 400 450 | (120Hz) | |
| | Z(-25°C)/Z(20°C) | 4 3 2 2 2 2 2 2 3 3 3 6 6 6 | | |
| | Z(-40°C)/Z(20°C) | 8 6 4 4 3 3 3 3 - - - - - | | |

◆DIMENSIONS

(mm)

◆MULTIPLIER FOR RIPPLE CURRENT



Frequency coefficient

| Frequency (Hz) | | 60(50) | 120 | 500 | 1k | 10k ≤ |
|----------------|---------------|--------|------|------|------|-------|
| Coefficient | 0.1~1 µF | 0.50 | 1.00 | 1.20 | 1.30 | 1.50 |
| | 2.2~4.7 µF | 0.65 | 1.00 | 1.20 | 1.30 | 1.50 |
| | 10~47 µF | 0.80 | 1.00 | 1.20 | 1.30 | 1.50 |
| | 100~1000 µF | 0.80 | 1.00 | 1.10 | 1.15 | 1.20 |
| | 2200~22000 µF | 0.80 | 1.00 | 1.05 | 1.10 | 1.15 |

◆PART NUMBER

□□□ YXA □□□□□ □ □□□ □□ DXL
 Rated Voltage Series Rated Capacitance Capacitance Tolerance Option Lead Forming Case Size

