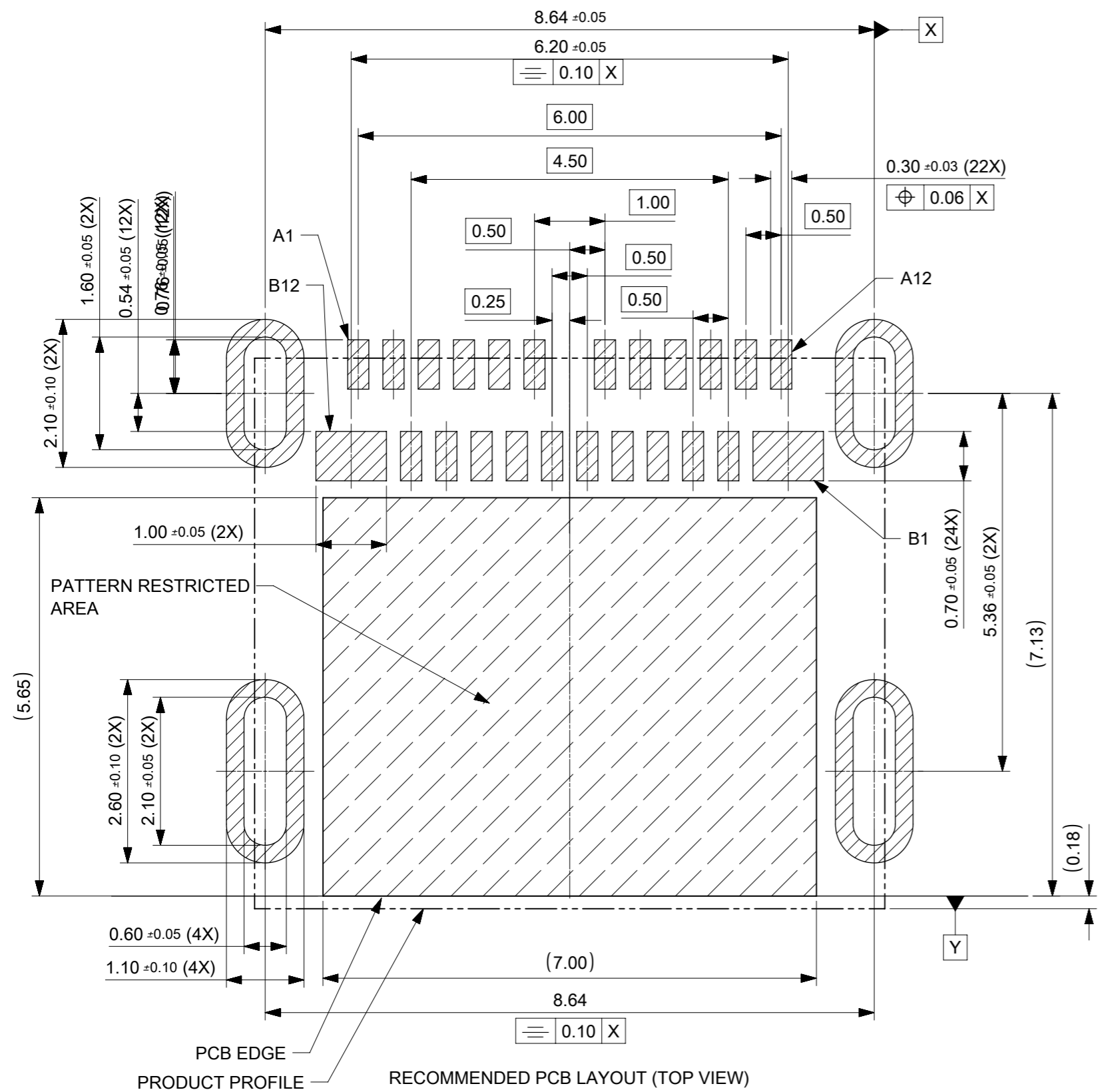


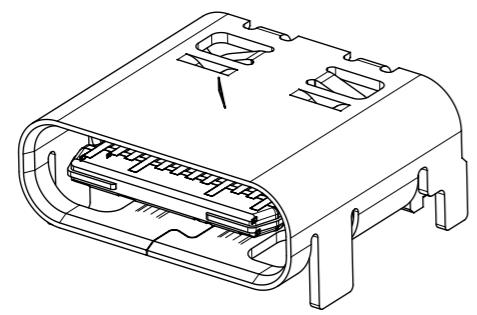
PART NO.	DESCRIPTION	L	PACKAGE
1054500001	SEE NOTES 2 (1) FOR CONTACT AREA PLATING	0.80	PK-105450-001
1054500101	SEE NOTES 2 (2) FOR CONTACT AREA PLATING	0.50	
1054500111	SEE NOTES 2 (2) FOR CONTACT AREA PLATING	1.30	
1054500121	SEE NOTES 2 (2) FOR CONTACT AREA PLATING	0.80	1054506666

THIS DRAWING CONTAINS INFORMATION THAT IS PROPRIETARY TO MOLEX ELECTRONIC TECHNOLOGIES, LLC AND SHOULD NOT BE USED WITHOUT WRITTEN PERMISSION		CURRENT REV DESC:		<b>molex</b>		
DIMENSION UNITS	SCALE	EC NO: 177640				
mm		DRWN: RZHANG 2018/06/05		USB C TYPE REC TOP MOUNT SMT TAIL		
GENERAL TOLERANCES (UNLESS SPECIFIED)		CHK'D: AYIN 2018/06/05				
ANGULAR TOL	± 3.0°	APPR: AYIN 2018/06/05		PRODUCT CUSTOMER DRAWING		
4 PLACES	±	INITIAL REVISION:		DOCUMENT NUMBER		
3 PLACES	±	DRWN: RZHANG 2015/04/20		SD-105450-001		
2 PLACES	± 0.2	APPR: AYIN 2015/04/20		DOC TYPE		
1 PLACE	± 0.2			PSD		
0 PLACES	±			DOC PART		
DRAFT WHERE APPLICABLE MUST REMAIN WITHIN DIMENSIONS		THIRD ANGLE PROJECTION	DRAWING	SERIES	MATERIAL NUMBER	REVISION
			A3-SIZE	105450	CUSTOMER	000 A4
				GENERAL MARKET	SHEET NUMBER	
						1 OF 2



- NOTES:
- MATERIAL,  
 HOUSING: HIGH TEMPERATURE THERMAL PLASTIC , 30% GLASS FILLED, BLACK, UL94V-0.  
 TERMINAL: COPPER ALLOY  
 SHELL: STAINLESS STEEL  
 INNER SHELL: STAINLESS STEEL  
 MIDDLE BLADE: STAINLESS STEEL
  - PLATING:  
 TERMINAL: CONTACT AREA:  
 (1). 0.76 MICROMETER MIN. GOLD PLATING  
 (2). GOLD FLASH OVER 0.76 MICROMETER MIN. PALLADIUM/NICKEL PLATING  
 AND SOLDER TAIL: 0.05 MICROMETER MIN. GOLD PLATING  
 UNDER PLATING: 2 MICROMETER MIN. NICKEL PLATING OVERALL  
 SHELL: 1 MICROMETER MIN. SOLDERABLE NICKEL PLATING OVERALL  
 INNER SHELL: CLEANING  
 MIDDLE BLADE: 2 MICRON MIN. TIN PLATING ON THE SOLDER TAIL  
 AND 1 MICROMETER NICKEL PLATING OVERALL
  - PRODUCT SPEC REFER TO PS-105448-001
  - COPLANARITY OF SMT PINS SOLDER TAIL IS 0.10 MAX. BEFORE AND AFTER REFLOW
  - T/H SOLDER TAIL POSITION BE CONTROLLED BY GAUGE
  - PRODUCT COMPLANT TO ROHS DIERTIVE 2011/65/EU AND ELV DIRECTIVE 2000/53/EC

PIN ASSIGNMENT												BLADE	SHELL
A1	A2	A3	A4	A5	A6	A7	A8	A9	A10	A11	A12		
GND	TX1+	TX1-	VBUS	CC1	D+	D-	SBU1	VBUS	RX2-	RX2+	GND		
GND	RX1+	RX1-	VBUS	SBU2	D-	D+	CC2	VBUS	TX2-	TX2+	GND	GND	GND
B12	B11	B10	B9	B8	B7	B6	B5	B4	B3	B2	B1		



THIS DRAWING CONTAINS INFORMATION THAT IS PROPRIETARY TO MOLEX ELECTRONIC TECHNOLOGIES, LLC AND SHOULD NOT BE USED WITHOUT WRITTEN PERMISSION														
DIMENSION UNITS: mm		SCALE:		CURRENT REV DESC:										
GENERAL TOLERANCES (UNLESS SPECIFIED)		ANGULAR TOL ± 3.0°		EC NO: 177640										
4 PLACES ±		3 PLACES ±		DRWN: RZHANG 2018/06/05				USB C TYPE REC TOP MOUNT SMT TAIL						
2 PLACES ± 0.2		1 PLACE ± 0.2		CHK'D: AYIN 2018/06/05				PRODUCT CUSTOMER DRAWING						
0 PLACES ±		DRAFT WHERE APPLICABLE MUST REMAIN WITHIN DIMENSIONS		APPR: AYIN 2018/06/05				INITIAL REVISION:		DOCUMENT NUMBER		DOC TYPE	DOC PART	REVISION
THIRD ANGLE PROJECTION		DRAWING		SERIES		MATERIAL NUMBER		CUSTOMER		SHEET NUMBER				
A3-SIZE		105450		GENERAL MARKET		SD-105450-001		PSD		000		A4		