

TLS SERIES TELECOM POWER FUSE

170 Vdc • Current-Limiting • 1-125 A



Description

Littelfuse TLS Series fuses are designed specifically for the protection of telecommunications equipment. TLS fuses have been engineered to operate up to 170 Vdc to provide current-limiting short-circuit protection for cables and components found in the DC power distribution circuits of telecommunications systems. The compact design and multiple mounting configurations of the TLS series allow it to be used in a variety of applications.

Features

- 170 Vdc rating
- Current-limiting
- 1 to 125 amperes rating
- Multiple mounting configurations — Cartridge, Vertical, Leaded, Bolt-In, or Solder type. See dimensions on page 2 for mounting style details.
- RoHS Compliant

Web Resources

For additional information, visit:

littelfuse.com/tls

Recommended Fuse Holders

LFTD series disconnect switches

LFT30060 for TLS series cartridge style fuse

Contact factory for more information.

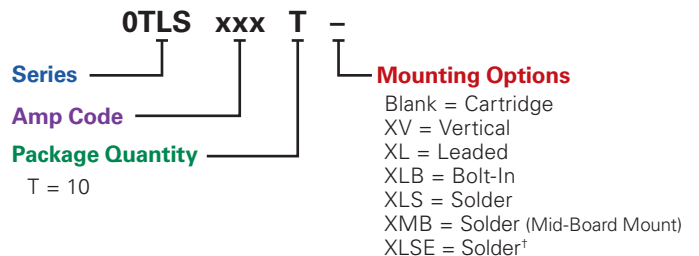
Specifications

Voltage Rating	170 Vdc
Ampere Range	1 – 125 A
Interrupting Rating	100 kA
Approvals	UL Recognized (File: E71611)
Construction	Body: Glass melamine Caps: Silver-plated brass
Environmental	RoHS Compliant, Lead (Pb) Free

Ordering Information

AMPERE RATINGS				
1	6	25	50	90
2	10	30	60	100
3	15	35	70	110*
5	20	40	80	125*

*Available in standard cartridge and LSE solder only.

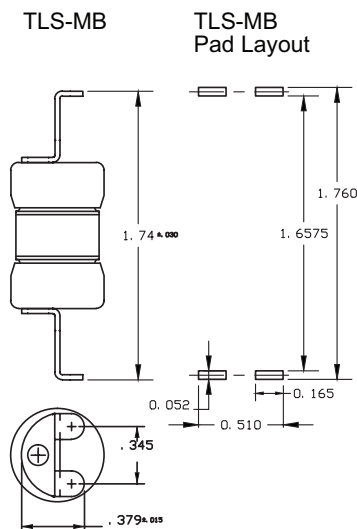
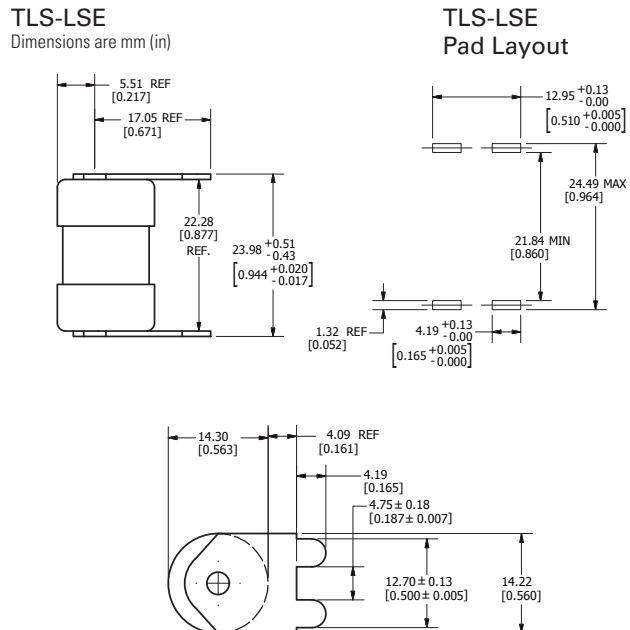
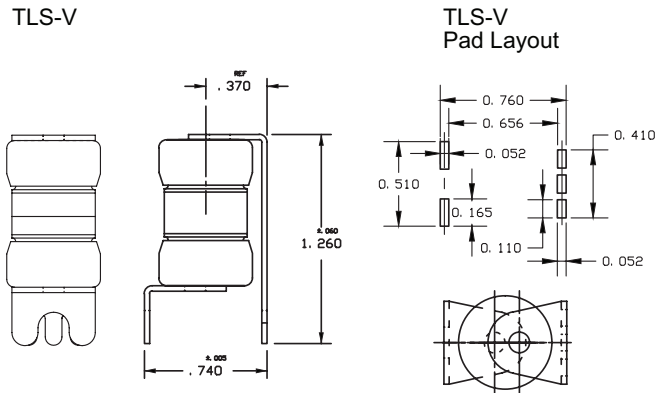
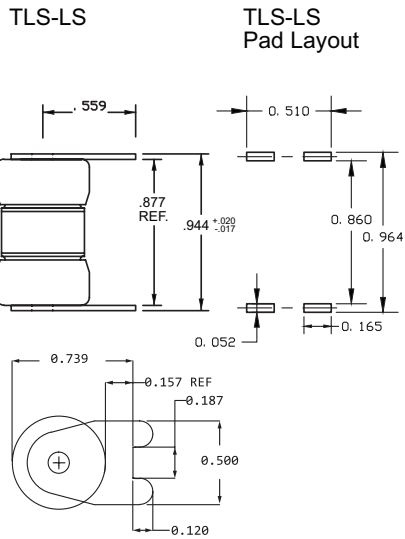
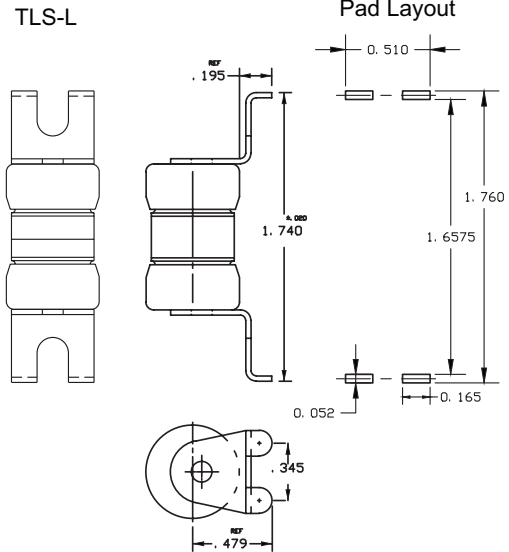
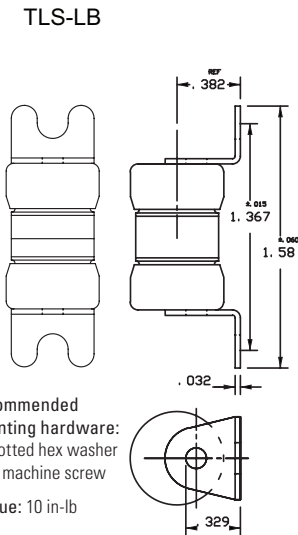
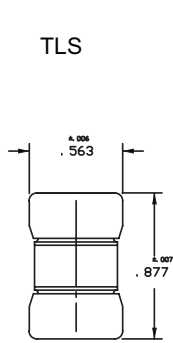


SERIES	AMP	MOUNTING METHOD	MOUNTING SUFFIX	CATALOG NUMBER	ORDERING NUMBER
TLS	6	Cartridge	–	TLS006	0TLS006.T
TLS	15	Vertical	V	TLS015V	0TLS015.TXV
TLS	35	Leaded	L	TLS035L	0TLS035.TXL
TLS	50	Bolt-In	LB	TLS050LB	0TLS050.TXLB
TLS	80	Solder	LS	TLS080LS	0TLS080.TXLS
TLS	125	Solder	LSE	TLS125LSE	0TLS125.TXLSE
TLS	100	Solder	MB	TLS100MB	0TLS100.TXMB

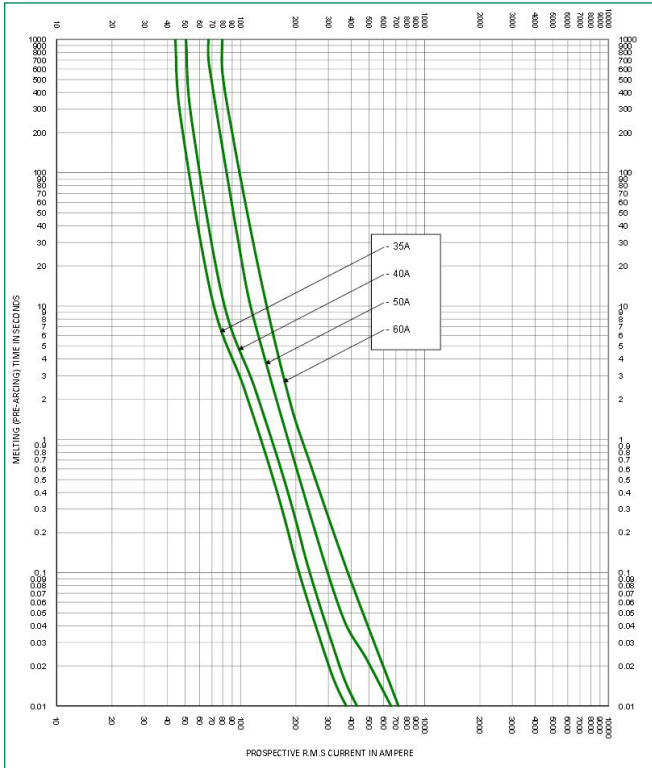
†Option is available for 35-125A only

TLS SERIES TELECOM POWER FUSE

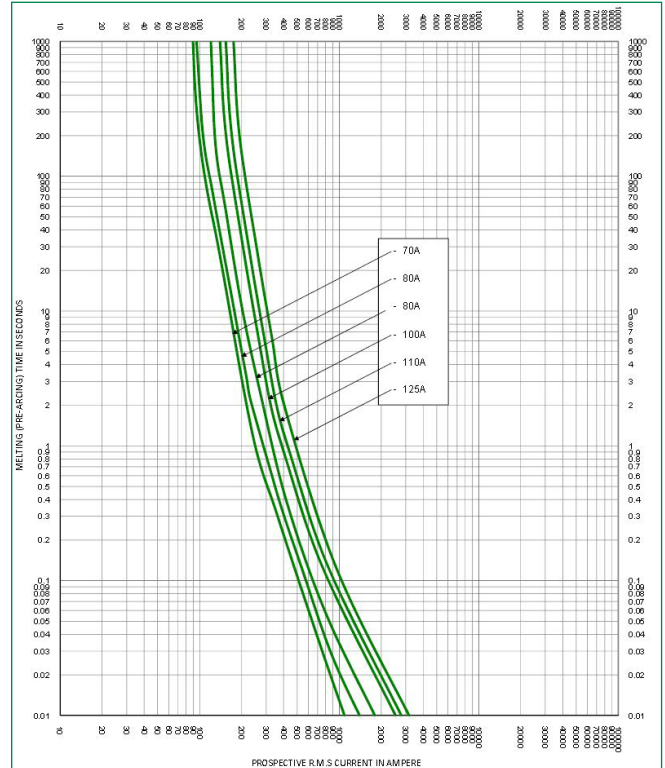
Dimensions Inches



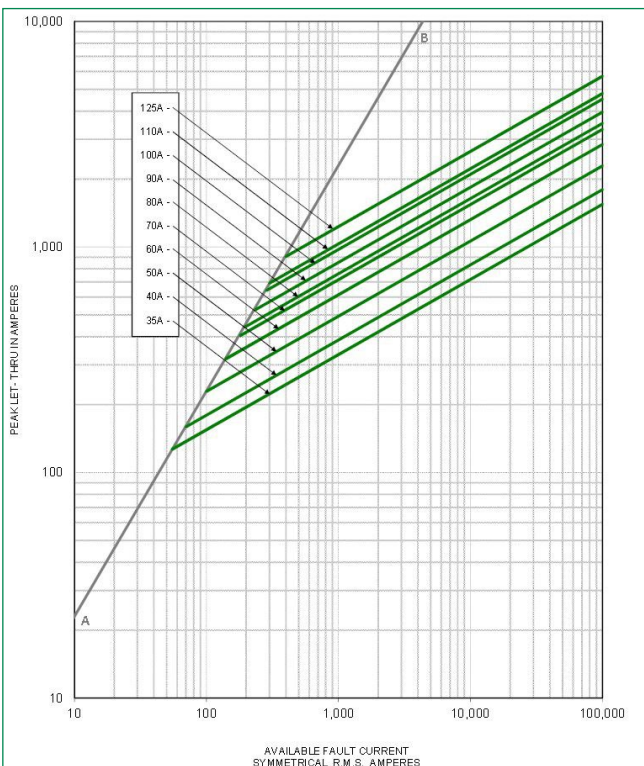
TLS Time-Current Curve 35-60A



TLS Time-Current Curve 70-125A



TLS Peak Let-Through Curve



Disclaimer Notice - Information furnished is believed to be accurate and reliable. However, users should independently evaluate the suitability of and test each product selected for their own applications. Littelfuse products are not designed for, and may not be used in, all applications. Read complete Disclaimer Notice at www.littelfuse.com/product-disclaimer.