

■ General Description

The AME8800/8811 family of positive, linear regulators feature low quiescent current (30 μ A typ.) with low drop-out voltage, making them ideal for battery applications. The space-saving SOT-23, SOT-25, SOT-89 and TO-92 packages are attractive for "Pocket" and "Hand Held" applications.

These rugged devices have both Thermal Shutdown, and Current Fold-back to prevent device failure under the "Worst" of operating conditions.

The AME8800/8811 is stable with an output capacitance of 2.2 μ F or greater.

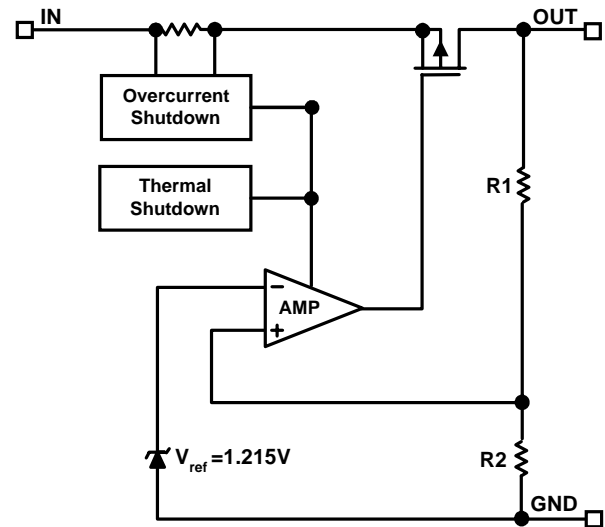
■ Features

- Very Low Dropout Voltage
- Guaranteed 300mA Output
- Accurate to within 1.5%
- 30 μ A Quiescent Current
- Over-Temperature Shutdown
- Current Limiting
- Short Circuit Current Fold-back
- Space-Saving SOT-23, SOT-25, SOT-89 and TO-92 Package
- Factory Pre-set Output Voltages
- Low Temperature Coefficient

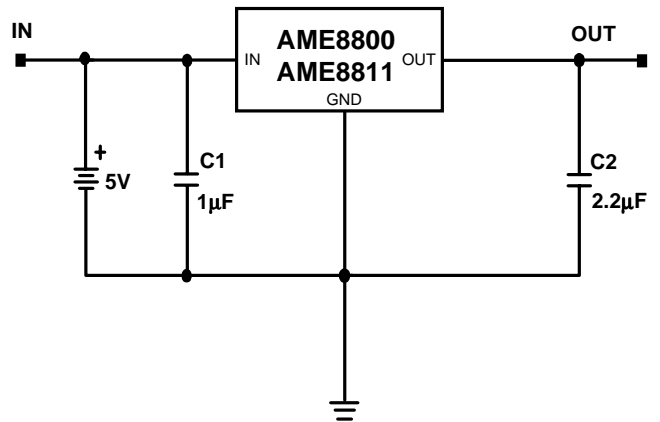
■ Applications

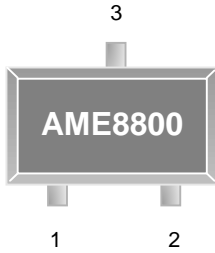
- Instrumentation
- Portable Electronics
- Wireless Devices
- Cordless Phones
- PC Peripherals
- Battery Powered Widgets
- Electronic Scales

■ Functional Block Diagram

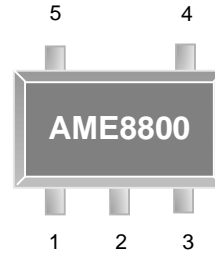


■ Typical Application



■ Pin Configuration
**SOT-23
Top View**

AME8800

1. GND
2. V_{OUT}
3. V_{IN}

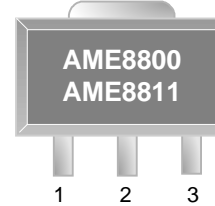
**SOT-25
Top View**

AME8800

1. GND
2. V_{IN}
3. V_{OUT}
4. NC
5. NC

**SOT-23-L
Top View**

AME8800

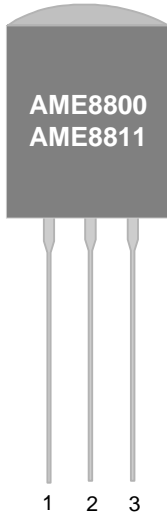
1. GND
2. V_{OUT}
3. V_{IN}

**SOT-89
Top View**

AME8800

1. GND
2. V_{IN}
3. V_{OUT}

AME8811

1. V_{OUT}
2. GND
3. V_{IN}

**TO-92
Front View**

AME8800

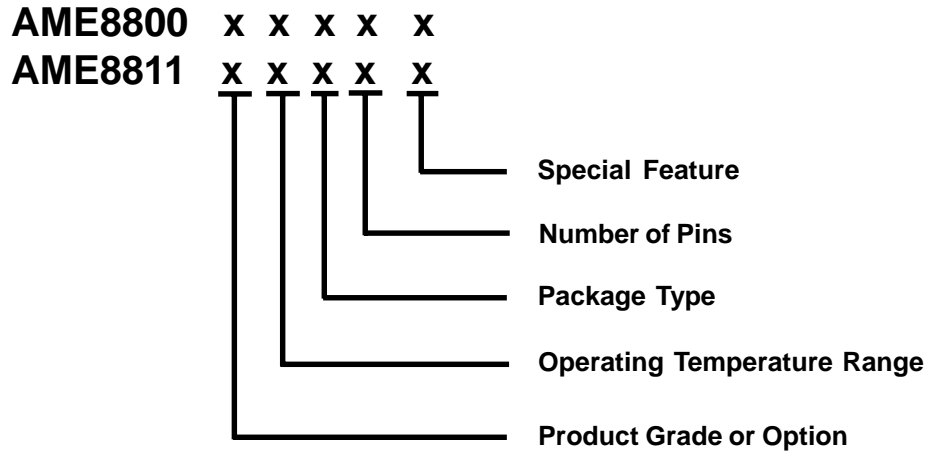
1. GND
2. V_{IN}
3. V_{OUT}

AME8811

1. V_{OUT}
2. GND
3. V_{IN}



■ Ordering Information



Product Grade or Option	Operating Temperature Range	Package Type	Number of Pins	Special Feature
A: 3.3V B: 3.0V C: 2.8V D: 2.5V E: 3.8V F: 3.6V G: 3.5V H: 2.7V I: 3.4V J: 2.85V K: 3.7V L: 1.5V M: 1.8V N: 2.9V O: 3.1V S: 5.0V 1: 1.3V 2: 2.0V	E: -40°C to 85°C	A: TO-92 E: SOT-2X F: SOT-89	T: 3 V: 5	L: Low profile Y: Lead free & Low profile Z: Lead free



■ Ordering Information

Part Number	Marking	Output Voltage	Package	Operating Temp. Range
AME8800AEET	AAAww	3.3V	SOT-23	- 40°C to + 85°C
AME8800AEETY	AAAww	3.3V	SOT-23	- 40°C to + 85°C
AME8800AEETZ	AAAww	3.3V	SOT-23	- 40°C to + 85°C
AME8800BEET	AABww	3.0V	SOT-23	- 40°C to + 85°C
AME8800BEETY	AABww	3.0V	SOT-23	- 40°C to + 85°C
AME8800BEETL	AABww	3.0V	SOT-23	- 40°C to + 85°C
AME8800CEET	AACww	2.8V	SOT-23	- 40°C to + 85°C
AME8800DEET	AADww	2.5V	SOT-23	- 40°C to + 85°C
AME8800DEETZ	AADww	2.5V	SOT-23	- 40°C to + 85°C
AME8800EEET	AAEww	3.8V	SOT-23	- 40°C to + 85°C
AME8800FEET	ABNww	3.6V	SOT-23	- 40°C to + 85°C
AME8800GEET	ACDww	3.5V	SOT-23	- 40°C to + 85°C
AME8800HEET	AEDww	2.7V	SOT-23	- 40°C to + 85°C
AME8800IEET	AELww	3.4V	SOT-23	- 40°C to + 85°C
AME8800JEET	AGNww	2.85V	SOT-23	- 40°C to + 85°C
AME8800KEET	AHPww	3.7V	SOT-23	- 40°C to + 85°C
AME8800LEET	AJWww	1.5V	SOT-23	- 40°C to + 85°C
AME8800MEET	AJXww	1.8V	SOT-23	- 40°C to + 85°C
AME8800MEETZ	AJXww	1.8V	SOT-23	- 40°C to + 85°C
AME8800NEET	AKGww	2.9V	SOT-23	- 40°C to + 85°C
AME8800OEET	AKHww	3.1V	SOT-23	- 40°C to + 85°C
AME8800AEEV	ABRww	3.3V	SOT-25	- 40°C to + 85°C
AME8800AEEVZ	ABRww	3.3V	SOT-25	- 40°C to + 85°C
AME8800BEEV	ABSww	3.0V	SOT-25	- 40°C to + 85°C
AME8800CEEV	ABTww	2.8V	SOT-25	- 40°C to + 85°C
AME8800DEEV	ABUww	2.5V	SOT-25	- 40°C to + 85°C
AME8800EEEV	ABVww	3.8V	SOT-25	- 40°C to + 85°C
AME8800FEEV	ABWww	3.6V	SOT-25	- 40°C to + 85°C
AME8800GEEV	ACEww	3.5V	SOT-25	- 40°C to + 85°C
AME8800HEEV	AEEww	2.7V	SOT-25	- 40°C to + 85°C

■ Ordering Information (contd.)

Part Number	Marking	Output Voltage	Package	Operating Temp. Range
AME8800IEEV	AEMwww	3.4V	SOT-25	- 40°C to + 85°C
AME8800JEEV	AGOwww	2.85V	SOT-25	- 40°C to + 85°C
AME8800KEEV	AHQwww	3.7V	SOT-25	- 40°C to + 85°C
AME8800LEEV	AJUwww	1.5V	SOT-25	- 40°C to + 85°C
AME8800MEEV	AJVwww	1.8V	SOT-25	- 40°C to + 85°C
AME8800NEEV	AKIwww	2.9V	SOT-25	- 40°C to + 85°C
AME8800OEEV	AKJwww	3.1V	SOT-25	- 40°C to + 85°C
AME8800AEFT	A8800 AEFwww	3.3V	SOT-89	- 40°C to + 85°C
AME8800BEFT	A8800 BEFwww	3.0V	SOT-89	- 40°C to + 85°C
AME8800CEFT	A8800 CEFwww	2.8V	SOT-89	- 40°C to + 85°C
AME8800DEFT	A8800 DEFwww	2.5V	SOT-89	- 40°C to + 85°C
AME8800EEFT	A8800 EEFwww	3.8V	SOT-89	- 40°C to + 85°C
AME8800FEFT	A8800 FEFwww	3.6V	SOT-89	- 40°C to + 85°C
AME8800GEFT	A8800 GEFwww	3.5V	SOT-89	- 40°C to + 85°C
AME8800HEFT	A8800 HEFwww	2.7V	SOT-89	- 40°C to + 85°C
AME8800IEFT	A8800 IEFwww	3.4V	SOT-89	- 40°C to + 85°C
AME8800JEFT	A8800 JEFwww	2.85V	SOT-89	- 40°C to + 85°C
AME8800KEFT	A8800 KEFwww	3.7V	SOT-89	- 40°C to + 85°C
AME8800LEFT	A8800 LEFwww	1.5V	SOT-89	- 40°C to + 85°C
AME8800MEFT	A8800 MEFwww	1.8V	SOT-89	- 40°C to + 85°C
AME8800MEFTZ	A8800 MEFwww	1.8V	SOT-89	- 40°C to + 85°C
AME8800NEFT	A8800 NEFwww	2.9V	SOT-89	- 40°C to + 85°C
AME8800OEFT	A8800 OEFwww	3.1V	SOT-89	- 40°C to + 85°C
AME8800SEFT	A8800 SEFwww	5.0V	SOT-89	- 40°C to + 85°C
AME8800SEFTZ	A8800 SEFwww	5.0V	SOT-89	- 40°C to + 85°C
AME88001EFT	A8800 1EFwww	1.3V	SOT-89	- 40°C to + 85°C

■ Ordering Information (contd.)

Part Number	Marking	Output Voltage	Package	Operating Temp. Range
AME8800AEAT	AME 8800 AEAT yyww	3.3V	TO-92	- 40°C to + 85°C
AME8800BEAT	AME 8800 BEAT yyww	3.0V	TO-92	- 40°C to + 85°C
AME8800CEAT	AME 8800 CEAT yyww	2.8V	TO-92	- 40°C to + 85°C
AME8800DEAT	AME 8800 DEAT yyww	2.5V	TO-92	- 40°C to + 85°C
AME8800EEAT	AME 8800 EEAT yyww	3.8V	TO-92	- 40°C to + 85°C
AME8800FEAT	AME 8800 FEAT yyww	3.6V	TO-92	- 40°C to + 85°C
AME8800GEAT	AME 8800 GEAT yyww	3.5V	TO-92	- 40°C to + 85°C
AME8800HEAT	AME 8800 HEAT yyww	2.7V	TO-92	- 40°C to + 85°C
AME8800IEAT	AME 8800 IEAT yyww	3.4V	TO-92	- 40°C to + 85°C
AME8800JEAT	AME 8800 JEAT yyww	2.85V	TO-92	- 40°C to + 85°C
AME8800KEAT	AME 8800 KEAT yyww	3.7V	TO-92	- 40°C to + 85°C

■ Ordering Information (contd.)

Part Number	Marking	Output Voltage	Package	Operating Temp. Range
AME8800LEAT	AME 8800 LEAT yyww	1.5V	TO-92	- 40°C to + 85°C
AME8800MEAT	AME 8800 MEAT yyww	1.8V	TO-92	- 40°C to + 85°C
AME8800NEAT	AME 8800 NEAT yyww	2.9V	TO-92	- 40°C to + 85°C
AME8800OEAT	AME 8800 OEAT yyww	3.1V	TO-92	- 40°C to + 85°C
AME8811AEAT	AME 8811 AEAT yyww	3.3V	TO-92	- 40°C to + 85°C
AME8811BEAT	AME 8811 BEAT yyww	3.0V	TO-92	- 40°C to + 85°C
AME8811CEAT	AME 8811 CEAT yyww	2.8V	TO-92	- 40°C to + 85°C
AME8811DEAT	AME 8811 DEAT yyww	2.5V	TO-92	- 40°C to + 85°C
AME8811EEAT	AME 8811 EEAT yyww	3.8V	TO-92	- 40°C to + 85°C
AME8811FEAT	AME 8811 FEAT yyww	3.6V	TO-92	- 40°C to + 85°C
AME8811GEAT	AME 8811 GEAT yyww	3.5V	TO-92	- 40°C to + 85°C



■ Ordering Information (contd.)

Part Number	Marking	Output Voltage	Package	Operating Temp. Range
AME8811HEAT	AME 8811 HEAT yyww	2.7V	TO-92	- 40°C to + 85°C
AME8811IEAT	AME 8811 IEAT yyww	3.4V	TO-92	- 40°C to + 85°C
AME8811JEAT	AME 8811 JEAT yyww	2.85V	TO-92	- 40°C to + 85°C
AME8811KEAT	AME 8811 KEAT yyww	3.7V	TO-92	- 40°C to + 85°C
AME8811LEAT	AME 8811 LEAT yyww	1.5V	TO-92	- 40°C to + 85°C
AME8811MEAT	AME 8811 MEAT yyww	1.8V	TO-92	- 40°C to + 85°C
AME8811NEAT	AME 8811 NEAT yyww	2.9V	TO-92	- 40°C to + 85°C
AME8811OEAT	AME 8811 OEAT yyww	3.1V	TO-92	- 40°C to + 85°C

* Package Options

Part Number	Package	Lead Pitch
AME88xxxEAT-1	TO-92 Bulk	2.54mm
AME88xxxEAT-2	TO-92 Taping	5.04mm

■ Ordering Information (contd.)

Part Number	Marking	Output Voltage	Package	Operating Temp. Range
AME8811AEFT	A8811 AEFww	3.3V	SOT-89	- 40°C to + 85°C
AME8811BEFT	A8811 BEFww	3.0V	SOT-89	- 40°C to + 85°C
AME8811CEFT	A8811 CEFww	2.8V	SOT-89	- 40°C to + 85°C
AME8811DEFT	A8811 DEFww	2.5V	SOT-89	- 40°C to + 85°C
AME8811EEFT	A8811 EEFww	3.8V	SOT-89	- 40°C to + 85°C
AME8811FEFT	A8811 FEFww	3.6V	SOT-89	- 40°C to + 85°C
AME8811GEFT	A8811 GEFww	3.5V	SOT-89	- 40°C to + 85°C
AME8811HEFT	A8811 HEFww	2.7V	SOT-89	- 40°C to + 85°C
AME8811IEFT	A8811 IEFww	3.4V	SOT-89	- 40°C to + 85°C
AME8811JEFT	A8811 JEFww	2.85V	SOT-89	- 40°C to + 85°C
AME8811KEFT	A8811 KEFww	3.7V	SOT-89	- 40°C to + 85°C
AME8811LEFT	A8811 LEFww	1.5V	SOT-89	- 40°C to + 85°C
AME8811MEFT	A8811 MEFww	1.8V	SOT-89	- 40°C to + 85°C
AME8811NEFT	A8811 NEFww	2.9V	SOT-89	- 40°C to + 85°C
AME8811OEFT	A8811 OEFww	3.1V	SOT-89	- 40°C to + 85°C

Please consult AME sales office or authorized Rep./Distributor for other output voltage and package type availability.



■ Absolute Maximum Ratings

Parameter	Maximum	Unit
Input Voltage	8	V
Output Current	$P_D / (V_{IN} - V_O)$	mA
Output Voltage	GND - 0.3 to $V_{IN} + 0.3$	V
ESD Classification	B	

Caution: Stress above the listed absolute rating may cause permanent damage to the device

■ Recommended Operating Conditions

Parameter	Rating	Unit
Ambient Temperature Range	- 40 to + 85	°C
Junction Temperature	- 40 to + 125	°C

■ Thermal Information

Parameter		Maximum	Unit
Thermal Resistance (θ_{jc})	SOT-23	110	°C / W
	SOT-25	81	
	SOT-89	38	
	TO-92	80	
Thermal Resistance (θ_{ja})	SOT-23	325	°C / W
	SOT-25	260	
	SOT-89	180	
	TO-92	180	
Internal Power Dissipation (P_D) ($\Delta T = 100^\circ C$)	SOT-23	300	mW
	SOT-25	380	
	SOT-89	550	
	SOT-89	2750*	
	TO-92	625	
Maximum Junction Temperature		150	°C
Maximum Lead Temperature (10 Sec)		300	°C

* With heat sink capable of twice times the θ_{jc}

■ Electrical Specifications

TA = 25°C unless otherwise noted

Parameter	Symbol	Test Condition	Min	Typ	Max	Units	
Input Voltage	V_{IN}		Note 1		7	V	
Output Voltage Accuracy	V_O	$I_O=1mA$	-1.5		1.5	%	
Dropout Voltage	$V_{DROPOUT}$	$I_O=300mA$ $V_O=V_{O(NOM)} - 2.0\%$	$1.3V \leq V_{O(NOM)} \leq 2.0V$	See chart	1300	mV	
			$2.0V < V_{O(NOM)} \leq 2.8V$		400		
			$2.8V < V_{O(NOM)}$		300		
Output Current	I_O	$V_O > 1.2V$	300			mA	
Current Limit	I_{LIM}	$V_O > 1.2V$	300	450		mA	
Short Circuit Current, Note2	I_{SC}	$V_O < 0.8V$		150	300	mA	
Quiescent Current	I_Q	$I_O=0mA$		30	50	μA	
Ground Pin Current	I_{GND}	$I_O=1mA$ to 300mA		35		μA	
Line Regulation	REG_{LINE}	$I_O=1mA$ $V_{IN}=V_O+1$ to V_O+2	$1.3V \leq V_O \leq 1.4V$	-0.2		0.2	%
			$1.4V < V_O \leq 2.0V$	-0.15	0.02	0.15	
			$2.0V < V_O < 4.0V$	-0.1	0.02	0.1	
			$4.0V \leq V_O$	-0.4	0.2	0.4	
Load Regulation	REG_{LOAD}	$I_O=1mA$ to 300mA	-1	0.2	1	%	
Over Temperature Shutdown	OTS			150		°C	
Over Temperature Hysteresis	OTH			30		°C	
V_O Temperature Coefficient	TC			30		ppm/°C	
Power Supply Rejection	PSRR	$I_O=100mA$ $C_O=2.2\mu F$	$f=1kHz$		50		dB
			$f=10kHz$		20		
			$f=100kHz$		15		
Output Voltage Noise	eN	$f=10Hz$ to 100kHz $I_O=10mA$			30	μV_{rms}	

Note1: $V_{IN(MIN)} = V_{OUT} + V_{DROPOUT}$

Note2: To prevent the Short Circuit Current protection feature from being prematurely activated, the input voltage must be applied before a current source load is applied.



■ Detailed Description

The AME8800/8811 family of CMOS regulators contain a PMOS pass transistor, voltage reference, error amplifier, over-current protection, and thermal shutdown.

The P-channel pass transistor receives data from the error amplifier, over-current shutdown, and thermal protection circuits. During normal operation, the error amplifier compares the output voltage to a precision reference. Over-current and Thermal shutdown circuits become active when the junction temperature exceeds 150°C, or the current exceeds 300mA. During thermal shutdown, the output voltage remains low. Normal operation is restored when the junction temperature drops below 120°C.

The AME8800/8811 switches from voltage mode to current mode when the load exceeds the rated output current. This prevents over-stress. The AME8800/8811 also incorporates current foldback to reduce power dissipation when the output is short circuited. This feature becomes active when the output drops below 0.8 volts, and reduces the current flow by 65%. Full current is restored when the voltage exceeds 0.8 volts.

■ External Capacitors

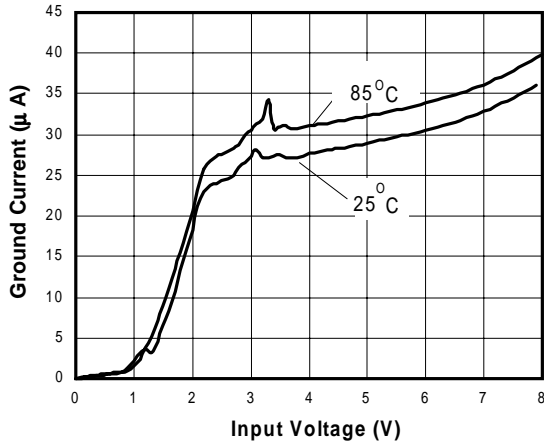
The AME8800/8811 is stable with an output capacitor to ground of 2.2μF or greater. Ceramic capacitors have the lowest ESR, and will offer the best AC performance. Conversely, Aluminum Electrolytic capacitors exhibit the highest ESR, resulting in the poorest AC response. Unfortunately, large value ceramic capacitors are comparatively expensive. One option is to parallel a 0.1μF ceramic capacitor with a 10μF Aluminum Electrolytic. The benefit is low ESR, high capacitance, and low overall cost.

A second capacitor is recommended between the input and ground to stabilize V_{IN} . The input capacitor should be at least 0.1μF to have a beneficial effect.

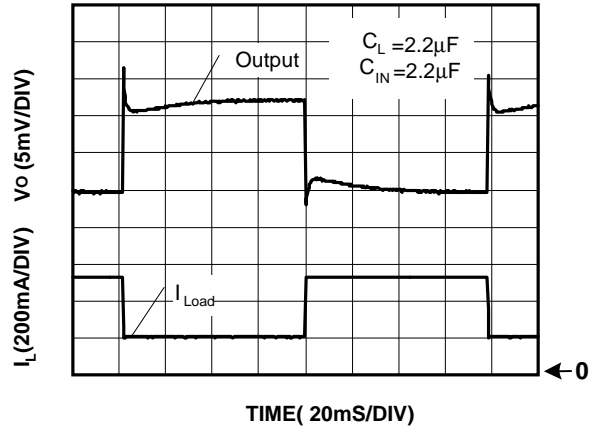
All capacitors should be placed in close proximity to the pins. A "Quiet" ground termination is desirable. This can be achieved with a "Star" connection.



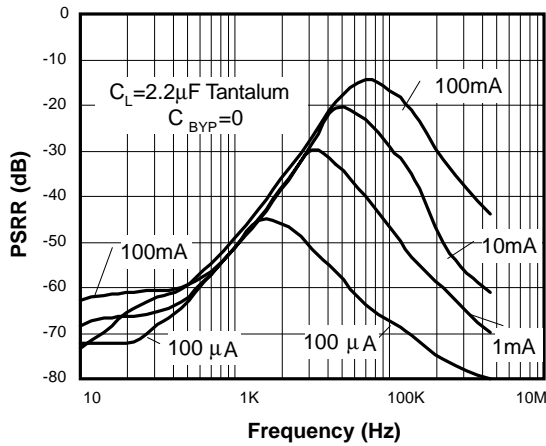
Ground Current vs. Input Voltage



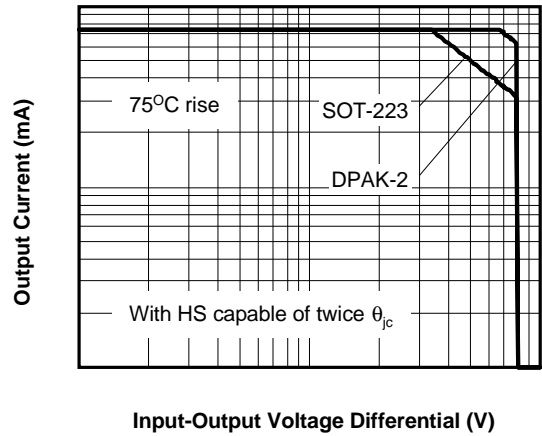
Load Step (1mA-300mA)



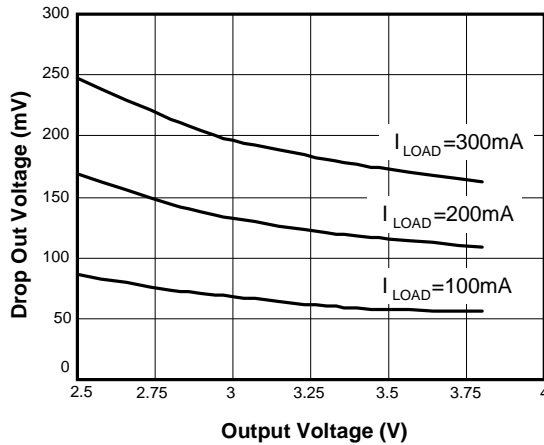
Power Supply Rejection Ratio



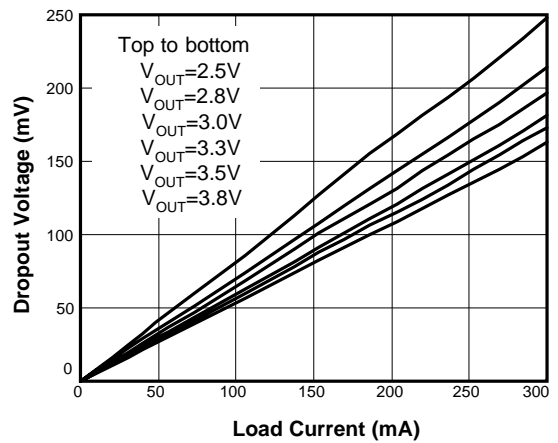
Safe Operating Area



Drop Out Voltage vs. Output Voltage

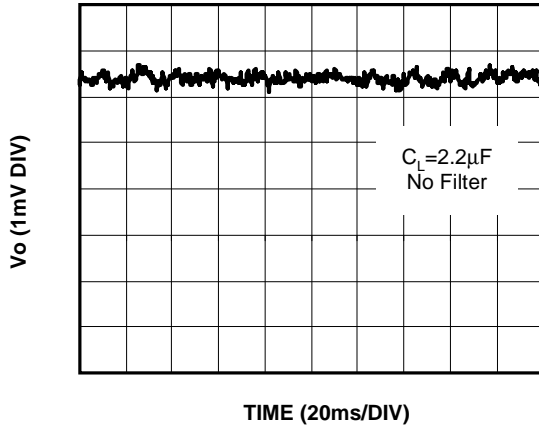


Drop Out Voltage vs. Load Current

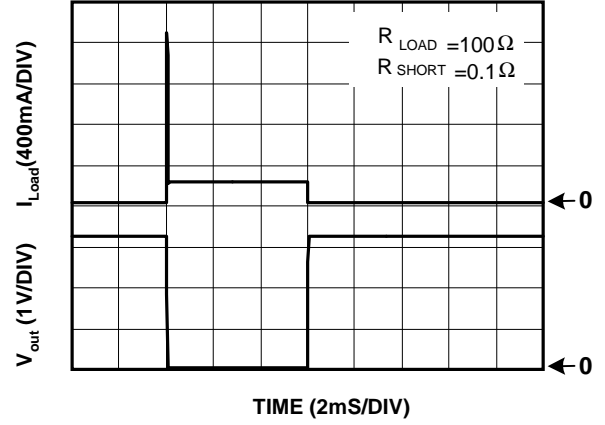




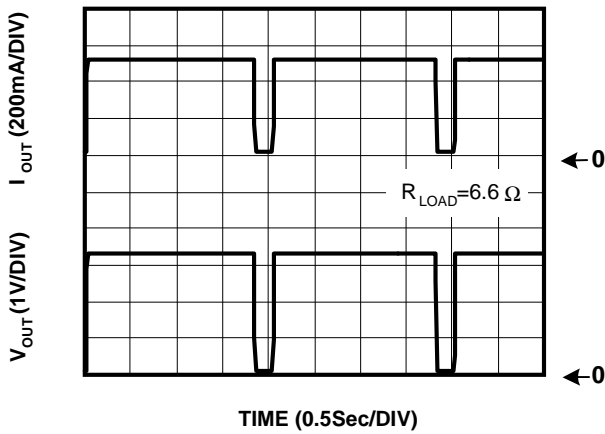
Noise Measurement



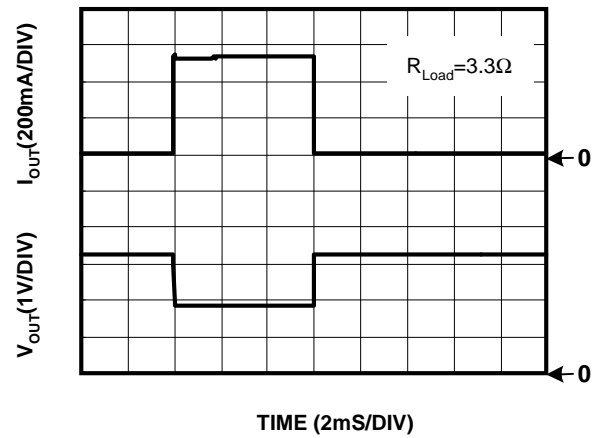
Short Circuit Response



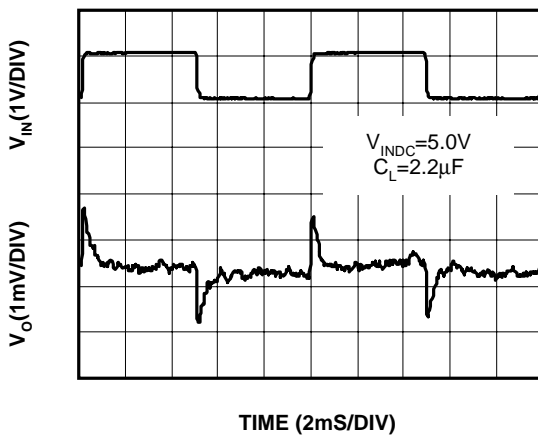
Overtemperature Shutdown



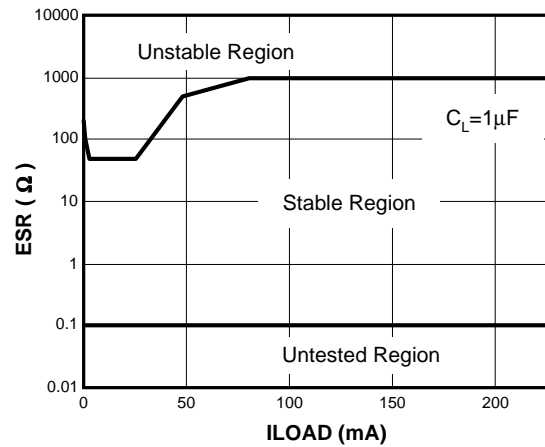
Current Limit Response

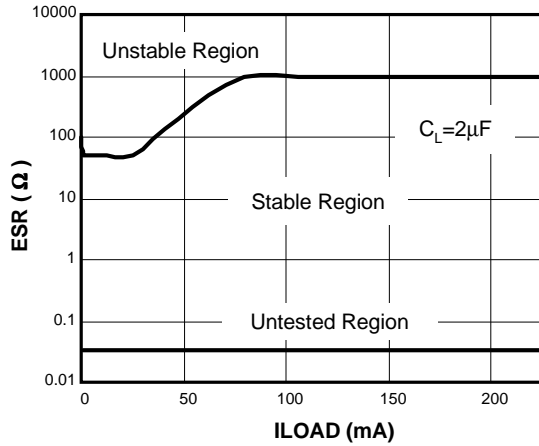
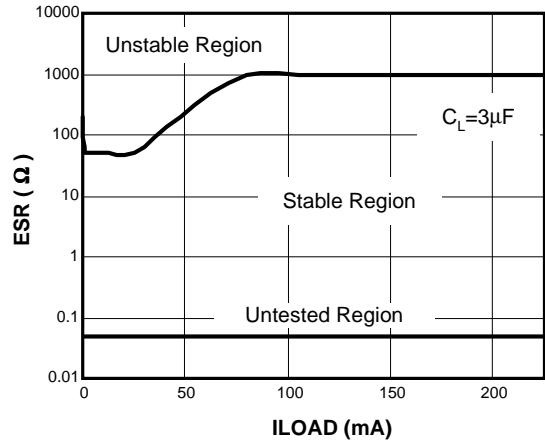
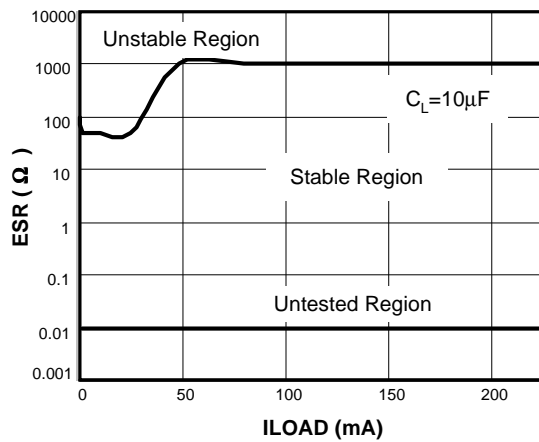
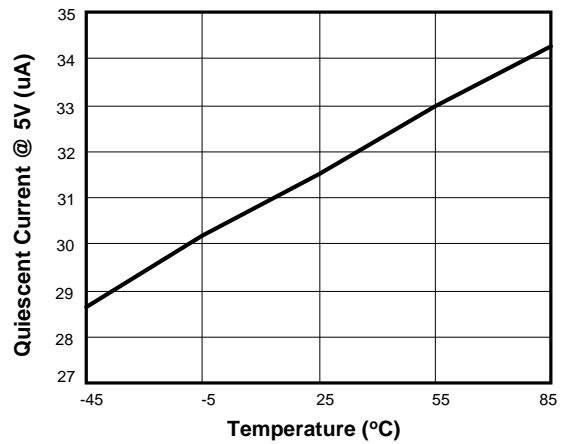
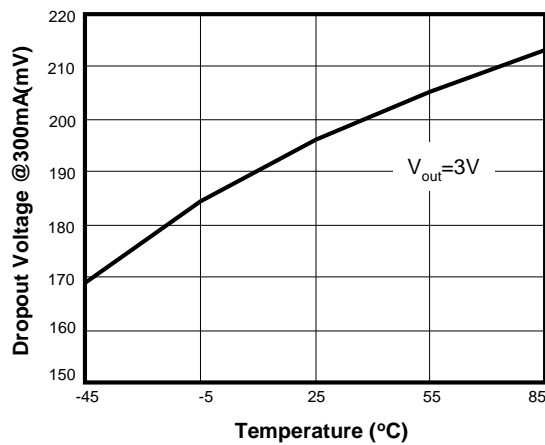
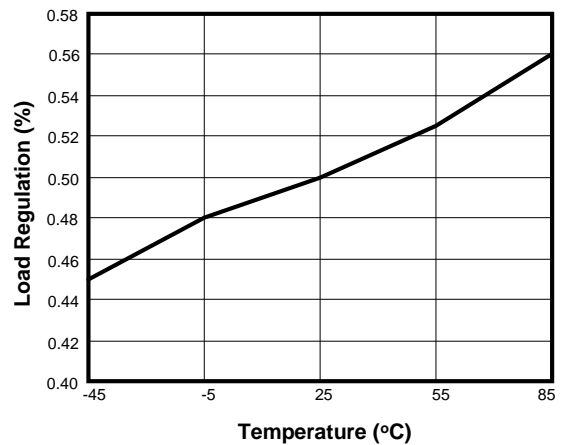


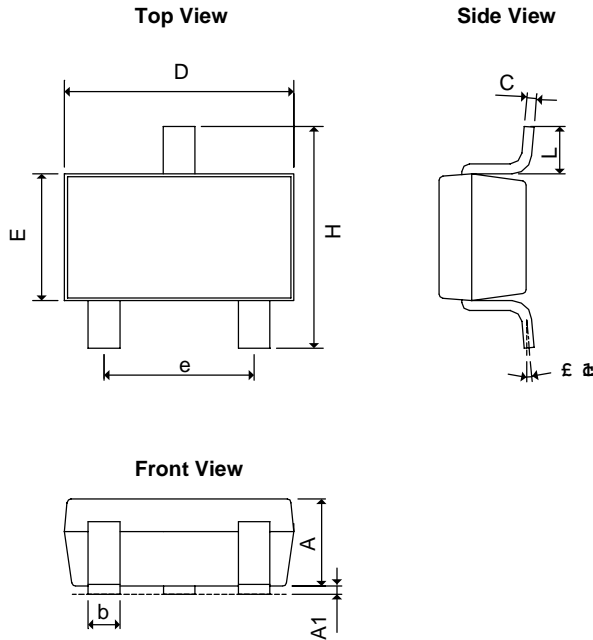
Line Transient Response



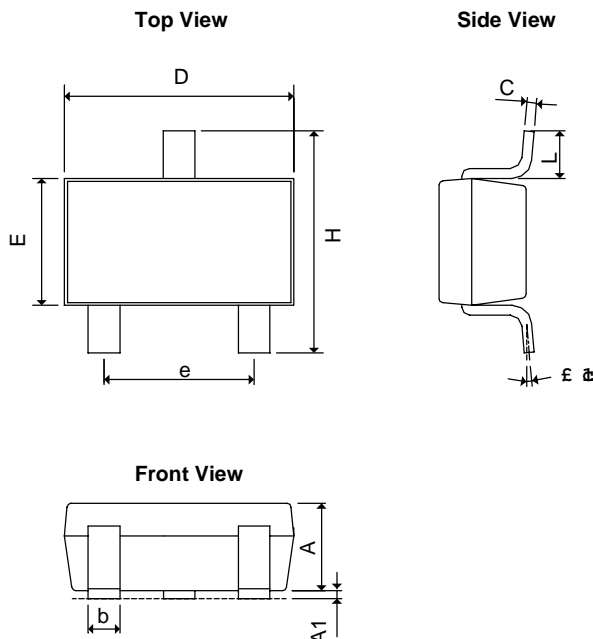
Stability vs. ESR vs. I_{Load}



Stability vs. ESR vs. I_{Load}

Stability vs. ESR vs. I_{Load}

Stability vs. ESR vs. I_{Load}

Quiescent Current vs. Temp.

Dropout Voltage vs. Temp.

Load Regulation vs. Temp.


■ Package Dimension
SOT-23


SYMBOLS	MILLIMETERS		INCHES	
	MIN	MAX	MIN	MAX
A	1.00	1.40	0.0394	0.0551
A₁	0.00	0.15	0.0000	0.0059
b	0.35	0.50	0.0138	0.0197
C	0.09	0.25	0.0035	0.0098
D	2.70	3.10	0.1063	0.1220
E	1.40	1.80	0.0551	0.0709
e	1.90 BSC		0.0748 BSC	
H	2.40	3.00	0.09449	0.11811
L	0.35BSC		0.0138BSC	
θ1	0°	10°	0°	10°

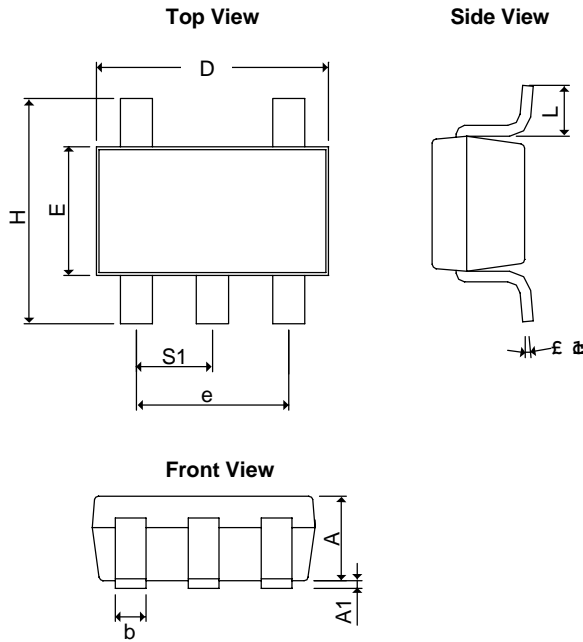
SOT-23-L


SYMBOLS	MILLIMETERS		INCHES	
	MIN	MAX	MIN	MAX
A+A₁	1.00	1.30	0.0394	0.0512
b	0.35	0.50	0.0138	0.0197
C	0.09	0.25	0.0035	0.0098
D	2.70	3.10	0.1063	0.1220
E	1.40	1.80	0.0551	0.0709
e	1.90 BSC		0.0748 BSC	
H	2.40	3.00	0.09449	0.11811
L	0.35BSC		0.0138BSC	
θ1	0°	10°	0°	10°



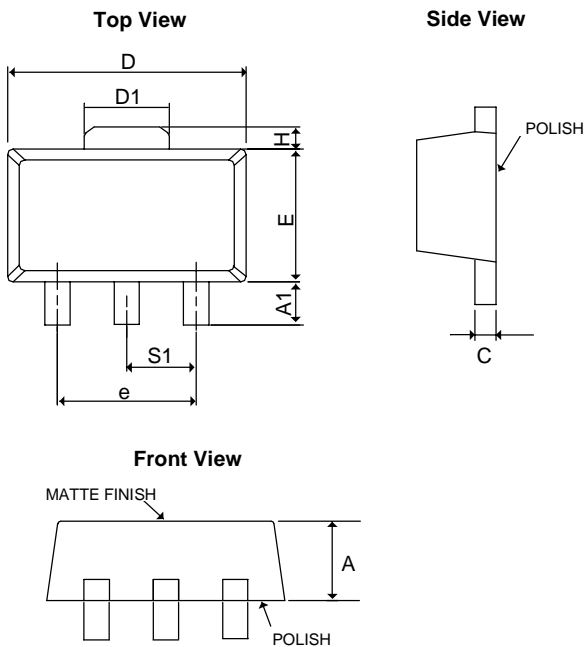
■ Package Dimension

SOT-25

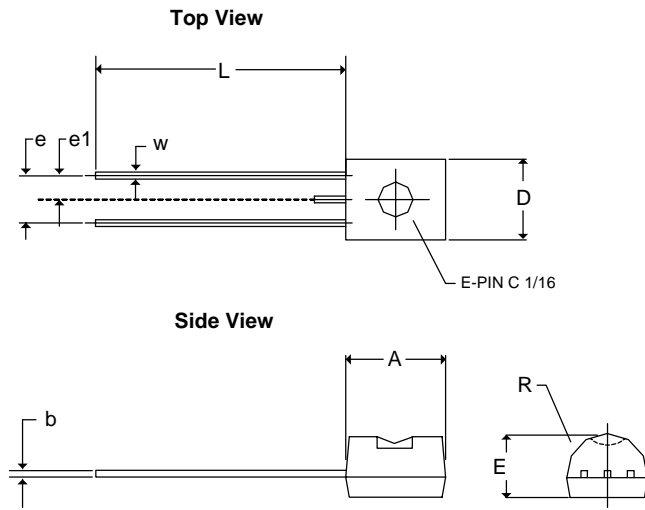


SYMBOLS	MILLIMETERS		INCHES	
	MIN	MAX	MIN	MAX
A	1.20REF		0.0472REF	
A ₁	0.00	0.15	0.0000	0.0059
b	0.30	0.55	0.0118	0.0217
D	2.70	3.10	0.1063	0.1220
E	1.40	1.80	0.0551	0.0709
e	1.90 BSC		0.07480 BSC	
H	2.60	3.00	0.10236	0.11811
L	0.37BSC		0.0146BSC	
θ1	0°	10°	0°	10°
S ₁	0.95BSC		0.0374BSC	

SOT-89



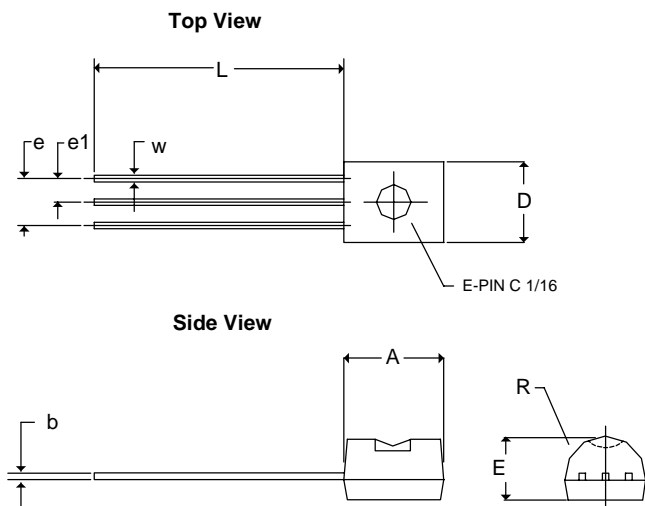
SYMBOLS	MILLIMETERS		INCHES	
	MIN	MAX	MIN	MAX
A	1.39	1.60	0.05472	0.06299
A ₁	0.8REF		0.0315REF	
C	0.35	0.44	0.01378	0.01732
D	4.39	4.60	0.17283	0.1811
D ₁	1.35	1.83	0.05315	0.07205
E	2.28	3.60	0.08976	0.14173
e	3.00REF		0.1181REF	
H	0.70REF		0.0276REF	
S ₁	1.50REF		0.0590REF	

■ Package Dimension
TO-92-2 (bulk pack)


SYMBOLS	MILLIMETERS		INCHES	
	MIN	MAX	MIN	MAX
A	2.80	4.95	0.1102	0.1949
b	0.40REF		0.0157REF	
E	3.94REF		0.1551REF	
e	2.54REF		0.1000REF	
e1	1.27REF		0.0500REF	
L	12.70	15.49	0.5000	0.6098
R	2.29		0.0902	
W	0.35	0.56	0.0138	0.0220
D	3.80	4.95	0.1496	0.1949

Notes:

1. Package outline exclusive of any mold flashes dimension.
2. Package outline exclusive of burr dimension.
3. Lead pitch=2.54mm is bulk pack.
4. Lead pitch=5.08mm is tape pack.

TO-92-3 (bulk pack)


SYMBOLS	MILLIMETERS		INCHES	
	MIN	MAX	MIN	MAX
A	2.80	4.95	0.1102	0.1949
b	0.40REF		0.0157REF	
E	3.94REF		0.1551REF	
e	2.54REF		0.1000REF	
e1	1.27REF		0.0500REF	
L	12.70	15.49	0.5000	0.6098
R	2.29		0.0902	
W	0.35	0.56	0.0138	0.0220
D	3.80	4.95	0.1496	0.1949

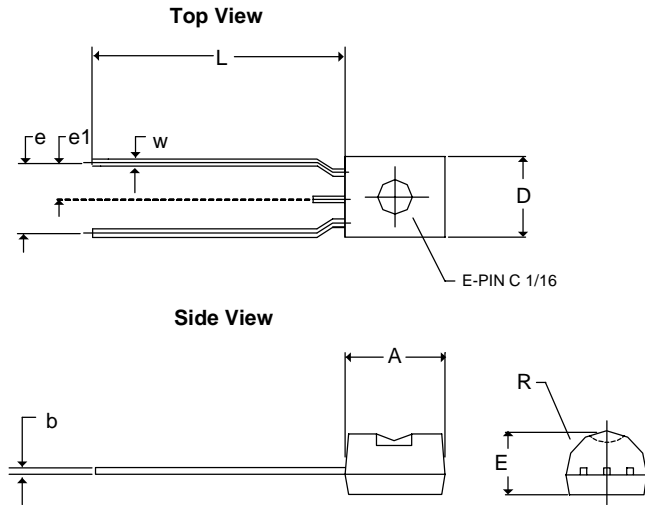
Notes:

1. Package outline exclusive of any mold flashes dimension.
2. Package outline exclusive of burr dimension.
3. Lead pitch=2.54mm is bulk pack.
4. Lead pitch=5.08mm is tape pack.



■ Package Dimension

TO-92-2 (tape pack)

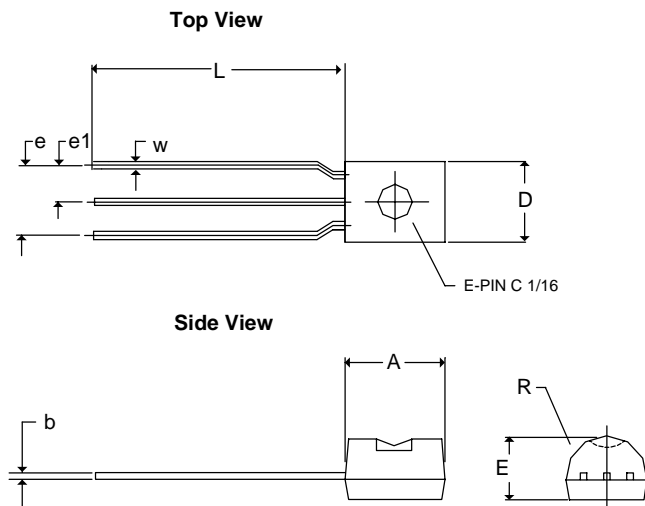


SYMBOLS	MILLIMETERS		INCHES	
	MIN	MAX	MIN	MAX
A	2.80	4.95	0.1102	0.1949
b	0.40REF		0.0157REF	
E	2.40	3.94	0.0945	0.1551
e	5.08REF		0.2REF	
e1	2.54REF		0.1REF	
L	12.70	15.49	0.5000	0.6098
R	2.00		0.0787	
W	0.35	0.56	0.0138	0.0220
D	3.80	4.95	0.1496	0.1949

Notes:

1. Package outline exclusive of any mold flashes.
2. Package outline exclusive of burr dimension.
3. Lead pitch=2.54mm is bulk pack.
4. Lead pitch=5.08mm is tape pack.

TO-92-3 (tape pack)



SYMBOLS	MILLIMETERS		INCHES	
	MIN	MAX	MIN	MAX
A	2.80	4.95	0.1102	0.1949
b	0.40REF		0.0157REF	
E	2.40	3.94	0.0945	0.1551
e	5.08REF		0.2REF	
e1	2.54REF		0.1REF	
L	12.70	15.49	0.5000	0.6098
R	2.00		0.0787	
W	0.35	0.56	0.0138	0.0220
D	3.80	4.95	0.1496	0.1949

Notes:

1. Package outline exclusive of any mold flashes.
2. Package outline exclusive of burr dimension.
3. Lead pitch=2.54mm is bulk pack.
4. Lead pitch=5.08mm is tape pack.



www.ame.com.tw
E-Mail: sales@ame.com.tw

Life Support Policy:

These products of AME, Inc. are not authorized for use as critical components in life-support devices or systems, without the express written approval of the president of AME, Inc.

AME, Inc. reserves the right to make changes in the circuitry and specifications of its devices and advises its customers to obtain the latest version of relevant information.

© AME, Inc. , September 2003

Document: 2006-DS8800/8811-M

Corporate Headquarter
AME, Inc.

2F, 189 Kang-Chien Road, Nei-Hu District
Taipei 114, Taiwan, R.O.C.
Tel: 886 2 2627-8687
Fax: 886 2 2659-2989

U.S.A. (Subsidiary)
Analog Microelectronics, Inc.

3100 De La Cruz Blvd., Suite 201
Santa Clara, CA. 95054-2046
Tel : (408) 988-2388
Fax: (408) 988-2489

This datasheet has been download from:

www.datasheetcatalog.com

Datasheets for electronics components.