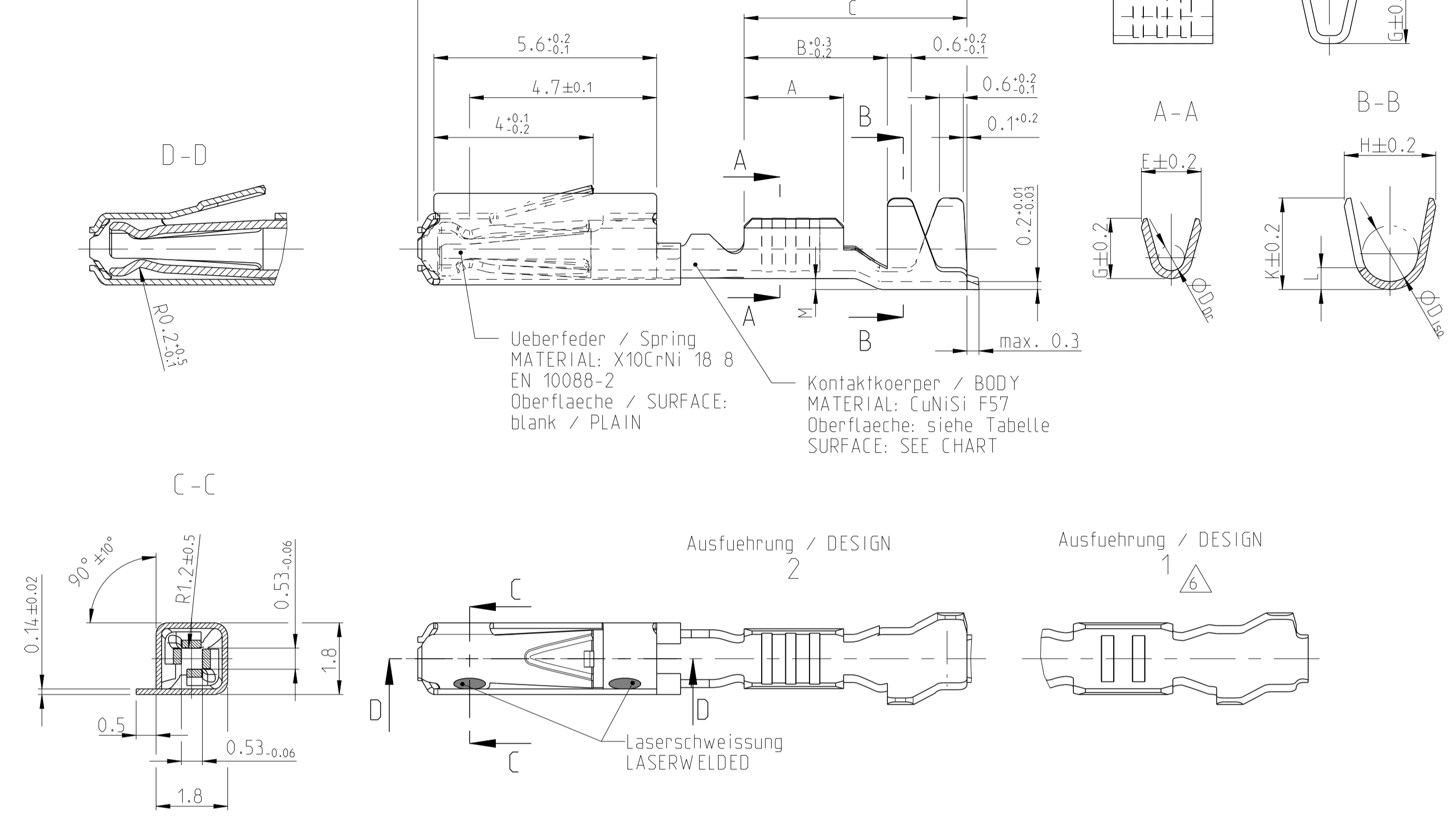
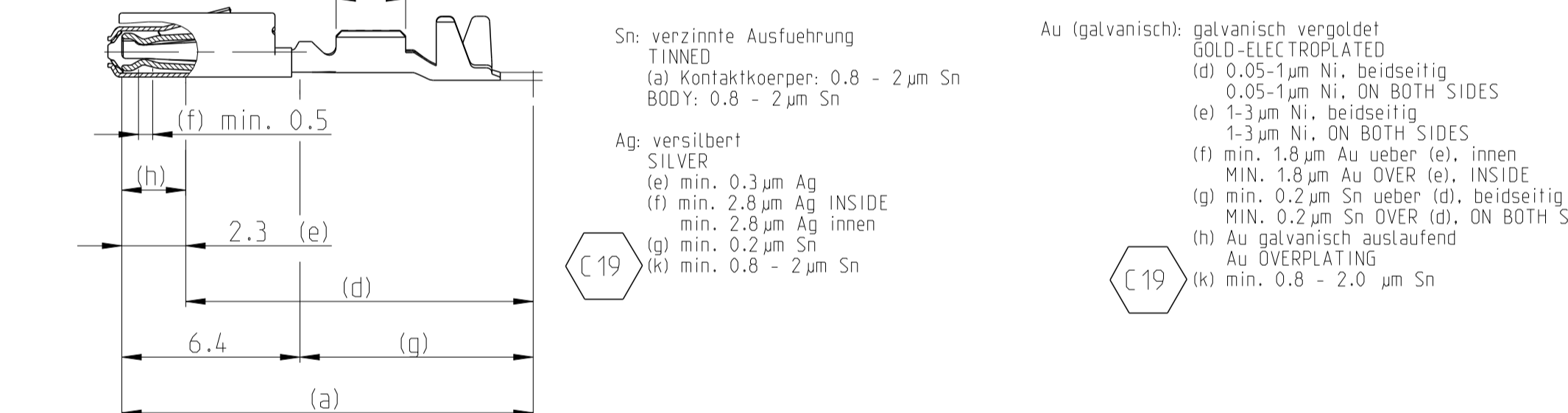


Normale Anwendung
 USUAL APPLICATION



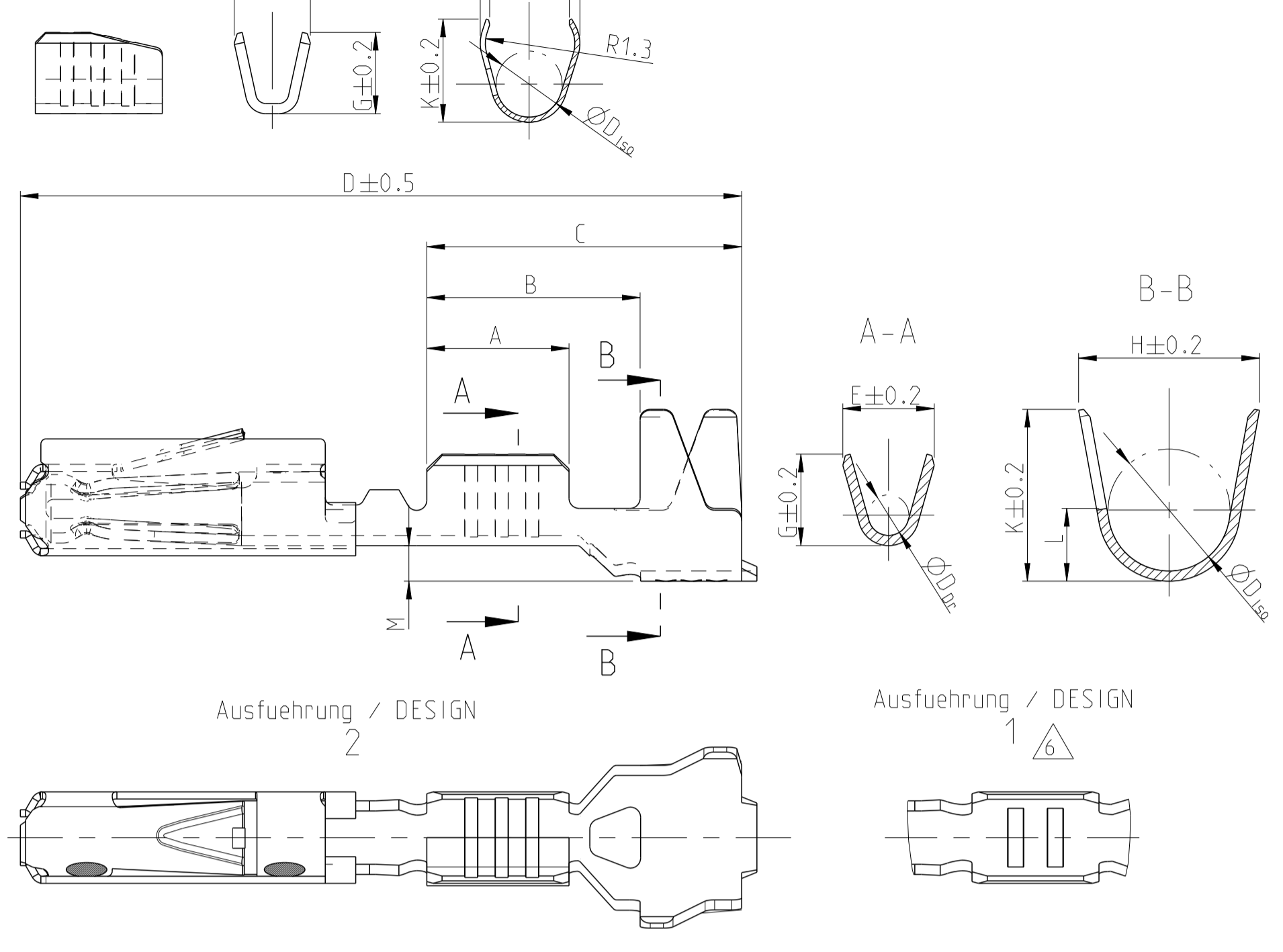
Oberfläche / FINISH



Bestell-Nr. Ausführung ORDER NO. DESIGN	Bestell-Nr. Ausführung ORDER NO. DESIGN	Rev	Bestell-Nr. Ausführung ORDER NO. DESIGN	Rev	VERSION	DGB Wire Size Range mm ²	Oberfläche SURFACE	Laenge LENGTH mm	Drahtcrimp WIRE CRIMP mm	Iso-crimp INSU-CRIMP mm	Gewicht WEIGHT g	Verarbeitung Spez. APPLICATION SPEC.	DGB Wire Size Range mm ²	Isolations Ø INSULATION DIA. mm	fuer Kammer Ø3.45 FOR CAVITY DIA. 3.45 mm	Blindstopfen RUBBER PLUG	fuer Kammer Ø4 FOR CAVITY DIA. 4 mm	Blindstopfen RUBBER PLUG										
6-965906-5	E		1-965906-5	D	Einzeldichtungssystem SINGLE WIRE SEAL SYSTEM	0.50-0.75	Au+Gel	A = 2.8	B = 4.2	C = 6.2	D = 14.3	M = 0.7	E = 2	G = 2.1	H = 3.5	K = 3.4	L = 1.5	D _{ISO} = 2.4	0.13	0.75	1.4-1.9	967067-1	gruen GREEN	963142-1	schwarz BLACK	967056-1	blau / BLUE	
5-965906-6	D		965906-6	C				Ag	A = 2.5	B = 3.9	C = 5.9	D = 14	M = 0.7	E = 1.8	G = 1.8	H = 3.5	K = 3.4	L = 1.5	D _{ISO} = 2.4	0.13	0.35	0.9-1.4	967067-2	gelb YELLOW	963142-2	grau GREY	967056-1	blau / BLUE
5-965906-5	E		965906-5	D				Au	A = 2.5	B = 4.3	C = 6.2	D = 13.7	M = 0.6	E = 1.5	G = 1.4	H = 4	K = 4.1	L = 3.1	D _{ISO} = 2.6	0.1	0.13	0.85-1.25	967067-2	gelb YELLOW	963142-2	grau GREY		
5-965906-1	D		965906-1	C				Sn	A = 2.5	B = 4.3	C = 6.2	D = 13.7	M = 0.6	E = 1.5	G = 1.4	H = 4	K = 4.1	L = 3.1	D _{ISO} = 2.6	0.1	0.13	0.85-1.25	967067-2	gelb YELLOW	963142-2	grau GREY		
5-962885-6	J		962885-6	H				Ag	A = 2.5	B = 4.3	C = 6.2	D = 13.7	M = 0.6	E = 1.5	G = 1.4	H = 4	K = 4.1	L = 3.1	D _{ISO} = 2.6	0.1	0.13	0.85-1.25	967067-2	gelb YELLOW	963142-2	grau GREY		
6-963715-5	K		1-963715-5	J	normale Anwendung USUAL APPLICATION	0.50-0.75	Au+Gel	A = 2.8	B = 3.8	C = 5.6	D = 13.7	M = 0.2	E = 2	G = 2.1	H = 2.7	K = 2.9	L = 0.7	D _{ISO} = 1.6	0.11									
5-963715-6	J		963715-6	H				Ag	A = 2.5	B = 3.6	C = 5.6	D = 13.7	M = 0.2	E = 1.8	G = 1.8	H = 2.3	K = 2.3	L = 0.6	D _{ISO} = 1.4	0.11								
5-963715-5	K		963715-5	J				Au	A = 2.5	B = 3.6	C = 5.6	D = 13.7	M = 0.2	E = 1.8	G = 1.8	H = 2.3	K = 2.3	L = 0.6	D _{ISO} = 1.4	0.11								
5-963715-1	J		963715-1	H				Sn	A = 2.5	B = 3.6	C = 5.6	D = 13.7	M = 0.2	E = 1.8	G = 1.8	H = 2.3	K = 2.3	L = 0.6	D _{ISO} = 1.4	0.11								
6-928999-5	T		1-928999-5	S				Au+Gel	A = 2.5	B = 3.6	C = 5.6	D = 13.7	M = 0.2	E = 1.8	G = 1.8	H = 2.3	K = 2.3	L = 0.6	D _{ISO} = 1.4	0.11								
5-928999-6	S		928999-6	R	Ag	A = 2.5	B = 3.7	C = 5.4	D = 13.7	M = 0	E = 1.5	G = 1.4	H = 2	K = 1.9	L = 1.1	D _{ISO} = 1.1	0.1											
5-928999-5	T		928999-5	S	Au	A = 2.5	B = 3.7	C = 5.4	D = 13.7	M = 0	E = 1.5	G = 1.5	H = 2	K = 2	L = 1.1	D _{ISO} = 1.1	0.1											
5-928999-1	S		928999-1	R	Sn	A = 2.5	B = 3.7	C = 5.4	D = 13.7	M = 0	E = 1.5	G = 1.5	H = 2	K = 2	L = 1.1	D _{ISO} = 1.1	0.1											
2141824-6	A				0.13 / 0.17																							
2141824-5	A																											
2141824-1	A																											
1355717-5	C				0.08-0.22																							
1355717-1	C																											

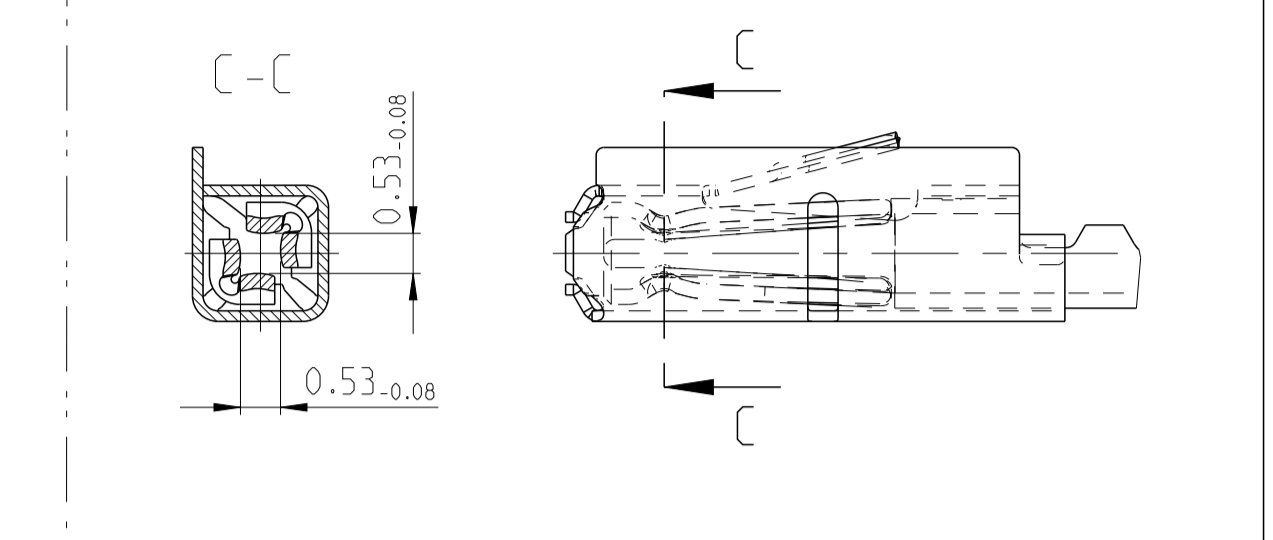
Bestell-Nr. Ausführung ORDER NO. DESIGN	Bestell-Nr. Ausführung ORDER NO. DESIGN	Rev	Bestell-Nr. Ausführung ORDER NO. DESIGN	Rev	VERSION	DGB Wire Size Range mm ²	Oberfläche SURFACE	Laenge LENGTH mm	Drahtcrimp WIRE CRIMP mm	Iso-crimp INSU-CRIMP mm	Gewicht WEIGHT g	Verarbeitung Spez. APPLICATION SPEC.	DGB Wire Size Range mm ²	Isolations Ø INSULATION DIA. mm	fuer Kammer Ø3.45 FOR CAVITY DIA. 3.45 mm	Blindstopfen RUBBER PLUG	fuer Kammer Ø4 FOR CAVITY DIA. 4 mm	Blindstopfen RUBBER PLUG
2	3		1															

Einzeldichtungssystem
 SINGLE WIRE SEAL SYSTEM

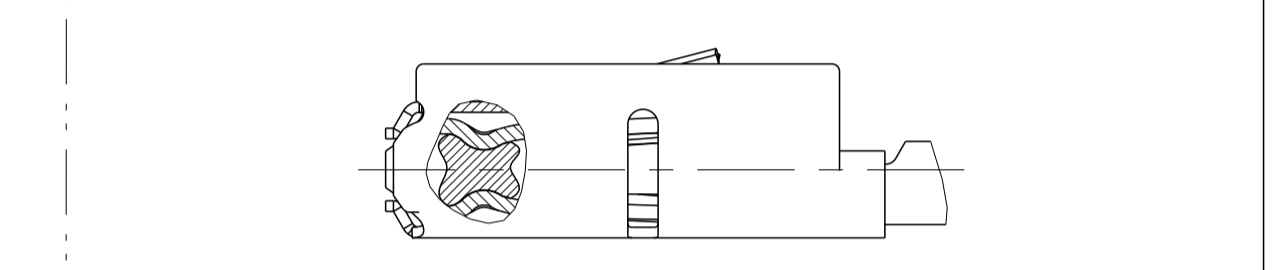


LOC	DIST	REV	DATE	BY	CHK	APPV
A1	-	C16	04AUG2016	MAH	BRUN	
		C17	23AUG2016	ABR	BRUN	
		C18	21NOV2017	MAH	BRUN	
		C19	23MAY2018	FRAN	BRUN	

versilberte/vergoldete Ausfuehrung
 Silver/GOLD VERSION



GEL VERSION



- Bemerkungen
- Datumscode (Woche/Jahr z.B. KW 38/Jahr2009) und TE-Revision (z.B. Rev.A) DATE CODE (WEEK/YEAR E.G. WEEK NUMBER 38/YEAR2009) AND TE REVISION (E.G. REV. A)
 - Passend zu Stiftkontakt siehe Zeichnung 929453 SUITABLE FOR PIN CONTACT SEE DRAWING 929453
 - Einzelheiten der Ausfuehrung bleiben dem Hersteller ueberlassen DETAILS OF DESIGN ARE LEFT TO MANUFACTURER
 - Nur fuer FLR-Leitung nach DIN 72551 Teil 6 FOR FLR-CONDUCTOR ACCORDING TO DIN 72551-6 ONLY



DIMENSIONS:		TOLERANCES UNLESS OTHERWISE SPECIFIED:		OWN	DATE	TE Connectivity	
mm	PLC	±0.2	±0.1	S.Garcia	05JAN1999	MOS	
	PLC	±0.2	±0.1	R.Jetter	05JAN1999	Tabellenzeichnung Buchsenkontakt	
	PLC	±0.2	±0.1	M.Bleicher	13AUG2003	TABLE SOCKET CONTACT	
	PLC	±0.2	±0.1			APPLICATION SPEC	
	PLC	±0.2	±0.1			114-18021 / 114-18025	
	PLC	±0.2	±0.1			SIZE CAGE CODE DRAWING NO RESTRICTED TO	
	PLC	±0.2	±0.1			A1 00779 C=929454	
	PLC	±0.2	±0.1			CUSTOMER DRAWING SCALE 10:1 SHEET 1 OF 1	