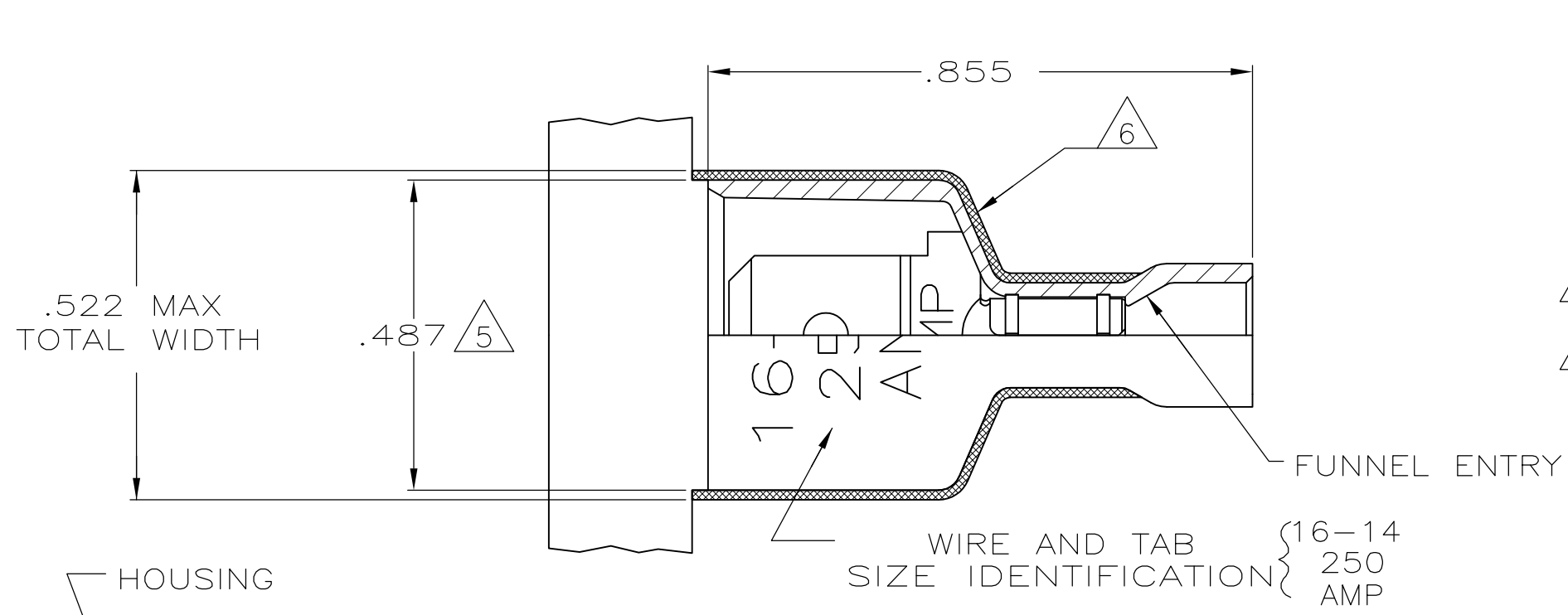
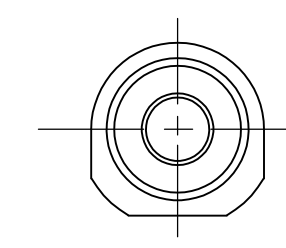
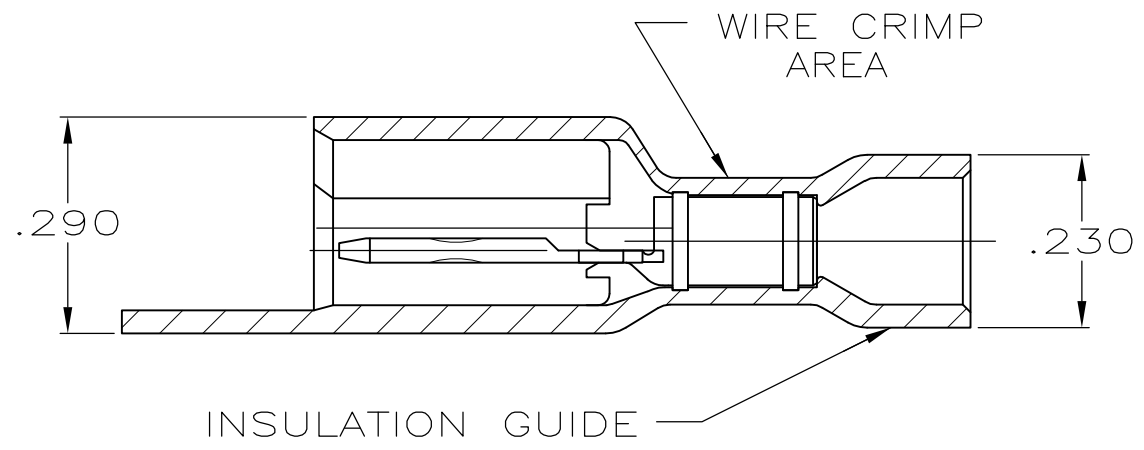
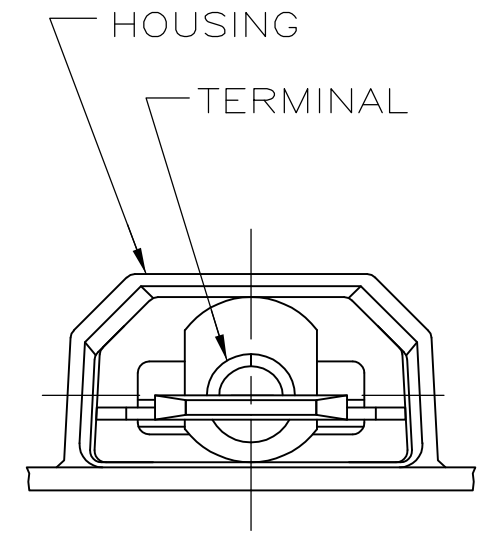


THIS DRAWING IS UNPUBLISHED. RELEASED FOR PUBLICATION  
 © COPYRIGHT - By - ALL RIGHTS RESERVED.

LOC	DIST	REVISIONS					
AF	50	P	LTR	DESCRIPTION	DATE	DWN	APVD
		M		REVISED PER ECR-13-004343	30JUL13	KH	KR



- 1 TAB DIMENSIONS  $.032^{+.001}_{-.002}$  x .250
- 2 WIRE STRIP LENGTH .281
- 3 INSULATION SIZE .160 MAX DIA
- 4 CONTINUOUS STRIP ON REELS
- (5) DIMENSION DOES NOT INCLUDE TRIM BURR
- (6) .015 MAX CARRIER TRIM BURR PER SIDE IS ALLOWABLE IN THE SHADED AREA



HOUSING: NYLON, COLOR-BLUE TRANSLUCENT TAB: BRASS, TIN	3-520106-2
MATERIAL & FINISH	PART NO

THIS DRAWING IS A CONTROLLED DOCUMENT.		DWN	P FORTNEY	11/15/88	 TE Connectivity	NAME TAB ASSEMBLY, ULTRA-FAST, .250 SERIES, 16-14 AWG
DIMENSIONS: INCHES		CHK	MS FEHER	11/30/88		
TOLERANCES UNLESS OTHERWISE SPECIFIED:		APVD	KA RANDOLPH	12/14/88		
0 PLC ± - 1 PLC ± - 2 PLC ± - 3 PLC ± .015 4 PLC ± - ANGLES ± -		PRODUCT SPEC	108-2017			
MATERIAL SEE TABLE		FINISH	SEE TABLE		APPLICATION SPEC	114-2123
		WEIGHT	-		SIZE	A3
		CUSTOMER DRAWING	SCALE	4:1	CAGE CODE	00779
			SHEET	1 OF 1	DRAWING NO	C-520106
			REV	M	RESTRICTED TO	-