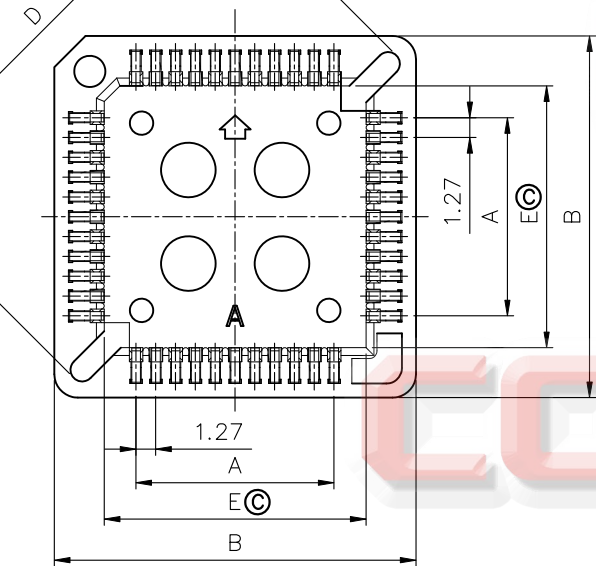


| REV. | DESCRIPTION              | DRAWN         | CHECKED | APPROVED      |
|------|--------------------------|---------------|---------|---------------|
| A    | NEW RELEASE              | DMJ 07/18/07' | ~       | LJC 07/17/07' |
| B    | Change The P/N.          | YCH 08/04/07' | ~       | LJC 08/04/07' |
| C    | Change The DIM E For 44p | YCH 11/25/09' | ~       | LJC 11/25/09' |



Dimension

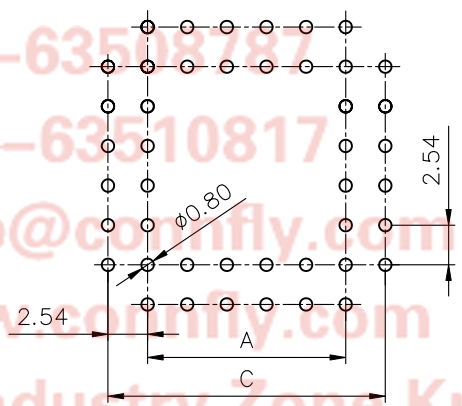
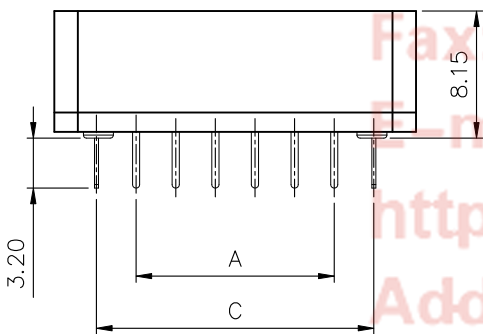
| Position | A±0.2 | B±0.4 | C±0.2 | D±0.2 | E±0.2 |
|----------|-------|-------|-------|-------|-------|
| 20       | 5.08  | 15.56 | 10.16 | 18.46 | 9.16  |
| 28       | 7.62  | 18.10 | 12.70 | 22.05 | 11.70 |
| 44       | 12.70 | 23.18 | 17.78 | 29.24 | 17.18 |
| 52       | 15.24 | 25.72 | 20.32 | 32.83 | 19.32 |
| 68       | 20.32 | 30.80 | 25.40 | 40.02 | 24.40 |
| 84       | 25.40 | 35.88 | 30.48 | 47.20 | 29.48 |

NOTES:

- MATERIAL
  - INSULATOR: THERMOPLASTIC(UL 94V-0).
  - CONTACT: COPPER ALLOY.
- SPECIFICATION
  - TEMPERATURE: -40°C~+105°C.
  - CONTACT RESISTANCE: 20mΩ max.
  - INSULATION RESISTANCE: 1000MΩ min.
  - DIELECTRIC WITHSTANDING VOLTAGE: AC 500V PER MINUTE.

- PART NUMBER: DS1032
- PRODUCT NUMBER CODE: DS1032- X X X X X X

- PACKING
- A: TUBE
- CONTACT PLATING
- T1: Tin.
- HOUSING COLOR
- K: BLACK
- N: BROWN
- MOUNTING TYPE
- D: V/T DIP
- HOUSING MATERIAL
- S: PPS
- No.OF CONTACTS
- 20 28 44
- 52 68 84



RECOMMEND PCB(V/T TYPE) LAYOUT  
TOLERANCE=±0.05

Tel:86-574-63508787  
 Fax:86-574-63510817  
 E-mail:sale@connfly.com  
 http://www.connfly.com  
 Add:East Industry Zone KuangYan  
 Town Cixi Ningbo China  
 P.C:315333

|                   |       |                 |     |                                                       |    |        |                                      |
|-------------------|-------|-----------------|-----|-------------------------------------------------------|----|--------|--------------------------------------|
| GENERAL TOLERANCE |       | ANGLE TOLERANCE |     | PROJECTION                                            |    | TITLE  | PLCC 20/28/52/68/84pin<br>DIP SOCKET |
| X.                | ±0.60 | X.              | ±5° | UNITS                                                 | mm | SHEET  | 1 OF 1                               |
| .X                | ±0.38 | .X              | ±3° | SHEET SIZE                                            | A4 | SERIES | DS1032 SERIES                        |
| .XX               | ±0.25 | .XX             | ±2° | 晨翔电子有限公司<br><b>CONNFLY CONNFLY ELECTRONIC CO. LTD</b> |    |        |                                      |
| DRAWING TYPE      |       | CUSTOMER        |     |                                                       |    |        |                                      |
| SCALE             |       | 1:1             |     |                                                       |    |        |                                      |
| DRAWING NO.       |       | C-DS1032-XXXXXX |     |                                                       |    |        |                                      |