

承認書

SPECIFICATION FOR APPROVAL

<i>CUSTOMER:</i>	鹿鳴
<i>CUSTOMER P/N:</i>	01
<i>CUSTOMER PART NO:</i>	
<i>DESCRIPTION:</i>	BCRH104R-470
<i>PRODUCTS NO:</i>	<i>BC REV: 01</i>
<i>PRODUCTS REV:</i>	A
<i>DATE:</i>	2017-11-27

PURCHASER CONFIRMED

<i>PURCHASER CONFIRMED</i>		

REMARK

<i>REMARK</i>

PROVIDER ENGINEER DEPT.

<i>APPROVAL BY</i>	<i>CHECK BY</i>	<i>DRAWN BY</i>
Eng	Yasir	daixin



誠陽實業有限公司

TAIPEI OFFICE TAIWAN CHENG YANG COMPONENT CORP

2F-1, NO. 176, Chine-Yi Road., Zhonghe District, New Taipei City, TAIWAN(R.O.C)

新北市中和區建一路176號2樓之一

POSTAL CODE: 23500

TEL NO.:+886-2- 8228-0930 FAX NO.:+886-2-8228-0929 E-mail:h21803@ms29.hinet.net



寶誠電子有限公司

CHINA FACTORY ZHUHAI BAO CHENG ELECTRONICSCO.,LTD

Guan Tang Industrial Park, Tang Jia Wan Town, Zhuhai City, Guangdong Province, CHINA

中國廣東省珠海市塘家灣鎮官塘工業區

POSTAL CODE: 519085

TEL NO:86-756-3383187 FAX NO:86-756-3380704 E-mail: baocheng@baocheng.biz



昆山誠陽電子有限公司

CHINA FACTORY KUNSHAN CHENG YANG ELECTRONICSCO.,LTD

Qiang-An Road., High-Tech. Industrial Park, Kunshan City, Jiangsu Province, China

江蘇省昆山市高科技工業園區強安路35號

POSTAL CODE: 215300

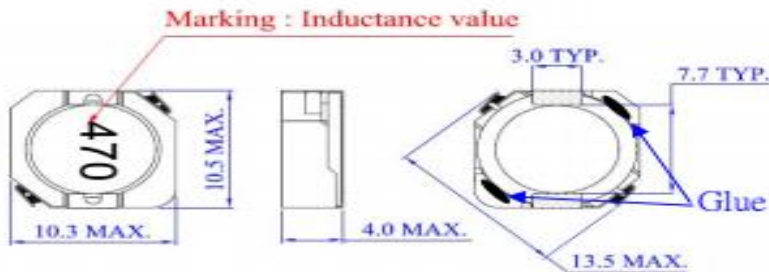
TEL NO:86-512-57823500 FAX NO:86-512-57823503 E-mail: kscy@taiwan-chengyang.com.tw

SPECIFICATION FOR APPROVAL

DATE: 2017-11-27

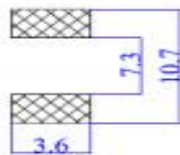
CUSTOMER: 鹿鸣	CUSTOMER PART NO:	PRODUCTS REV: A
DESCRIPTION: BCRH104R-470	PRODUCTS NO:	BC REV: 01

SHAPE & DIMENSION (UNIT:mm)

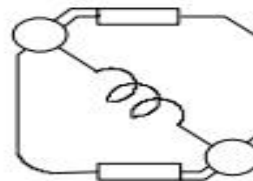


Marking Code: **470** Size: **3.9*2.6** Color: 黑色 typeface: **Arial**

PAD LAYOUT(MM):



ELECTREICAL SCHEMATIC:



ELECTREICAL SPECIFICATION

MEAS. ITEM	SPEC.			TEST FREQ.	CONDITIONS
L	47	μH	$\pm 20\%$	100KHz/0.25V	$T_a=25^\circ\text{C}$ · $I_{dc}=0\text{A}$
DCR	190	$\text{m}\Omega$	Max.		$T_a=25^\circ\text{C}$
Isat	2.10	A	Max.	100KHz/0.25V	$\Delta L/L \leq 35\%$

GENERAL SPECIFICATION

Electrical specifications : at 25°C
 Operation Temperature : -40~+125°C
 Storage Temperature : -40~+125°C

(1)WIRE TYPE: $\varnothing 0.28\text{mm}$

(2)WINDING:20.5Ts(REF)

APPROVAL BY	CHECK BY	DRAWN BY
Eng	Yasir	daixin

SPECIFICATION FOR APPROVAL

DATE: 2017-11-27

CUSTOMER: 鹿鸣	CUSTOMER PART NO: 0	PRODUCTS REV: A
DESCRIPTION: BCRH104R-470	PRODUCTS NO: 0	BC REV: 01

Test data for preproduction Sample(样品数据)

TEST RESOLUTION					DIMENSION (Unit : mm)				
MEAS.									
ITEM	μH	$\text{m}\Omega$	I_{sat} (A)	$\Delta\text{L/L}$			长	宽	高
SPEC.	47.0	190.0	2.10	$\Delta\text{L/L} \leq 35\%$			10.5MAX	10.3MAX	4.0MAX
	\pm	Max.	Max.						
TEST FREQ.	100KHz@0.25V		100KHz@0.25V				mm	mm	mm
	1	49.2	120	37.10	24.59%			10.31	10.11
2	47.8	123	39.50	17.36%			10.34	10.04	3.84
3	46.4	125	37.30	19.61%			10.38	10.03	3.85
4	51.2	124	40.30	21.29%			10.33	10.06	3.86
5	47.9	124	37.60	21.50%			10.35	10.08	3.86
6	51.1	124	40.50	20.74%			10.32	10.06	3.83
7	50.4	125	39.90	20.83%			10.34	10.08	3.83
8	49.2	122	37.80	23.17%			10.35	10.05	3.83
9	47.0	124	38.10	18.94%			10.33	10.10	3.80
10	46.6	125	37.60	19.31%			10.33	10.06	3.84
AVG.	48.7	123.6	38.570	20.74%			10.34	10.07	3.84
R	4.8	5.0	3.400	7.23%			0.07	0.08	0.06

APPROVAL BY

CHECK BY

DRAWN BY

Eng

Yasir

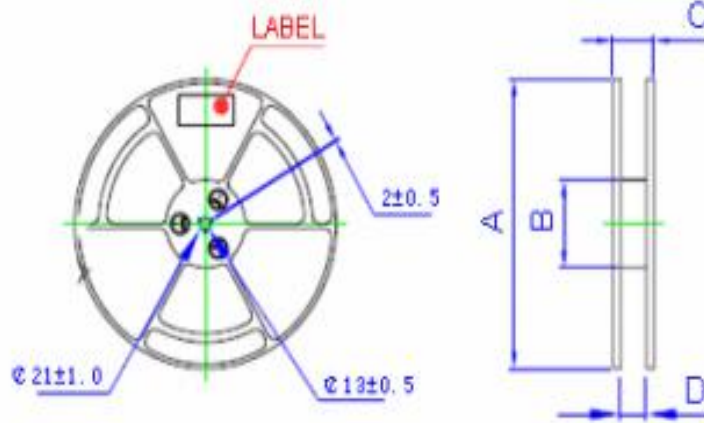
daixin

SPECIFICATION FOR APPROVAL

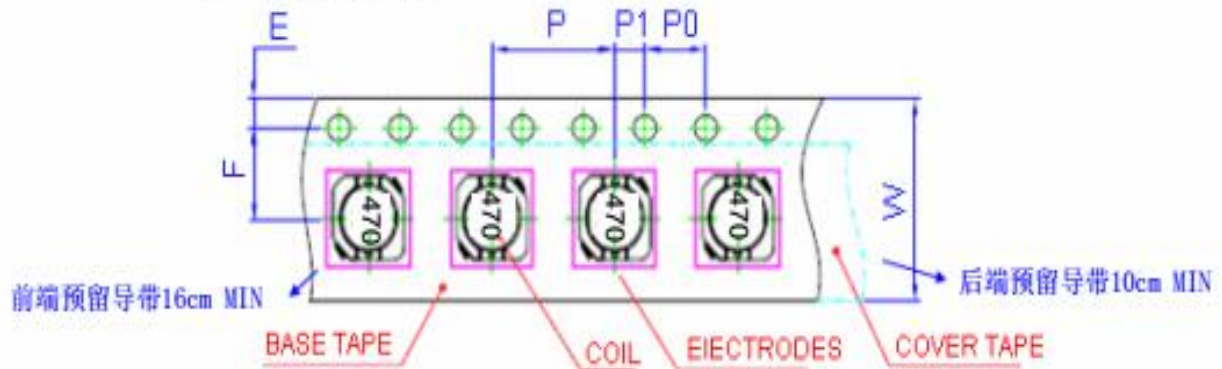
DATE: 2017-11-27

CUSTOMER: 鹿鸣	CUSTOMER PART NO: 0	PRODUCTS REV: A
DESCRIPTION: BCRH104R-470	PRODUCTS NO: 0	BC REV: 01

Reel dimensions



Tape dimensions



Packaging

UNIT:mm

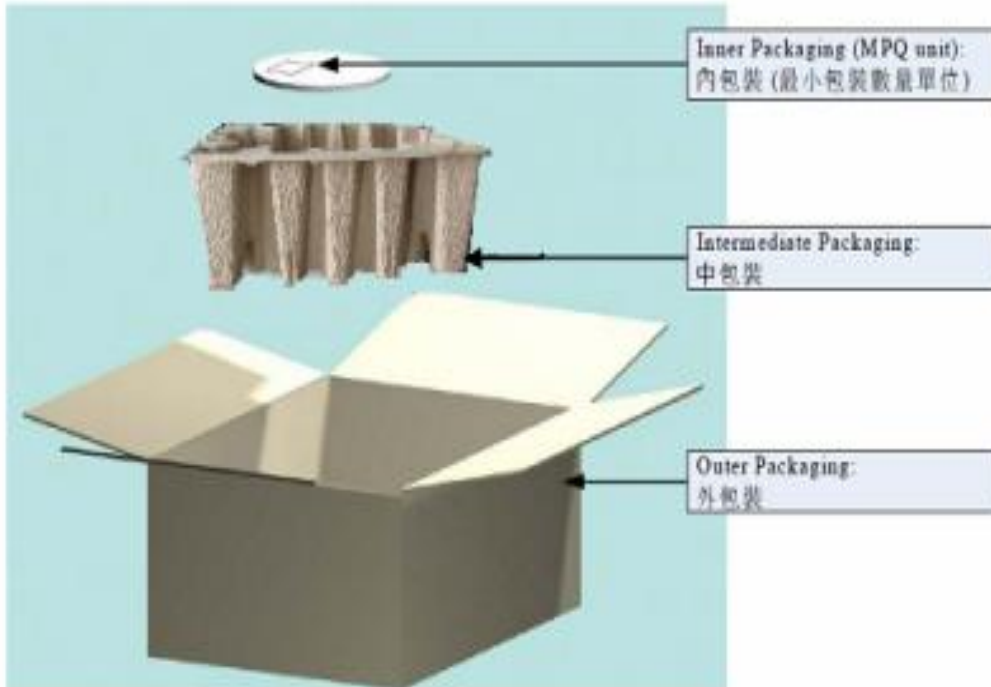
ITEM	A	B	C	D	F	E	W	P	P0	P1	Quantity
DIM	330	90	30.4	24.4	11.5	1.75	24	16	4	2	1000 pcs/ree

APPROVAL BY	CHECK BY	DRAWN BY
Eng	Yasir	daixin

SPECIFICATION FOR APPROVAL

DATE: 2017-11-27

CUSTOMER: 鹿鸣	CUSTOMER PART NO: 0	PRODUCTS REV: A
DESCRIPTION: BCRH104R-470	PRODUCTS NO: 0	BC REV: 01



- 1.1 外箱: 42.5*40.5*17 cm 一箱裝 4卷制品
- 1.2 防振箱2纸托
- 1.3 外箱材質: A三A
- 1.4 纸托材質: A=A
- 1.5 每一卷制品用一只静电袋包裝
- 1.6 每一静电袋內放一只袋干燥剂
- 1.7 每一卷上面依标签样式的要求贴上标签明细
- 1.8 出货内外箱贴上该箱內实际內容明细
- 1.9 出货标签规格如下: 尺寸=长度:39mm 宽度:29mm

APPROVAL BY	CHECK BY	DRAWN BY
Eng	Yasir	daixin

