

# 承認書

## SPECIFICATION FOR APPROVAL

<i>CUSTOMER:</i>	
<i>CUSTOMER P/N</i>	
<i>PART NO:</i>	
<i>DESCRIPTION:</i>	<i>SMD INDUCTOR</i>
<i>PRODUCTS NO:</i>	<i>BCRH2D18/HP-1R0N</i>
<i>PRODUCTS REV:</i>	<i>01</i>
<i>DATE:</i>	<i>2018-6-11</i>

<i>PURCHASER CONFIRMED</i>		
<i>REMARK</i>		

<i>PROVIDER ENGINEER DEPT.</i>		
<i>APPROVAL BY</i>	<i>CHECK BY</i>	<i>DRAWN BY</i>
		chenlinli

誠陽實業有限公司

TAIWAN CHENG YANG COMPONENT CORP

2F-1, NO. 176, Chine-Yi Road., Zhonghe District, New Taipei City, TAIWAN(R.O.C)  
 新北市中和區建一路176號2樓之一

POSTAL CODE: 23500

TEL NO.:+886-2- 8228-0930 FAX NO.:+886-2-8228-0929 E-mail:h21803@ms29.hinet.net

寶誠電子有限公司

ZHUHAI BAO CHENG ELECTRONICSCO.,LTD

Guan Tang Industrial Park, Tang Jia Wan Town, Zhuhai City, Guangdong Province, CHINA  
 中國廣東省珠海市塘家灣鎮官塘工業區

POSTAL CODE: 519085

TEL NO:86-756-3383187 FAX NO:86-756-3380704 E-mail: baocheng@baocheng.biz

昆山誠陽電子有限公司

KUNSHAN CHENG YANG ELECTRONICSCO.,LTDP

Qiang-An Road., High-Tech. Industrial Park, Kunshan City, Jiangsu Province, China

江蘇省昆山市高科技工業園區強安路35號

POSTAL CODE: 215300

TEL NO:86-512-57823500 FAX NO:86-512-57823503 E-mail: kscy@taiwan-chengyang.com.tw

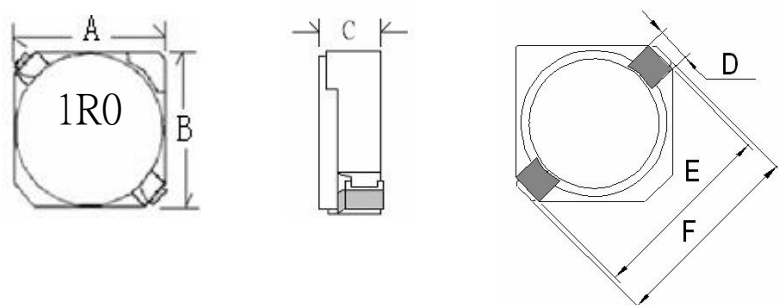


# TEST DATA

## DIMENSION&ELECTRIC CHARACTER

CUSTOMER:		PART NO:	
DESCRIPTION:	SMD INDUCTOR	SERIES NO:	BCRH2D18/HP-1R0N

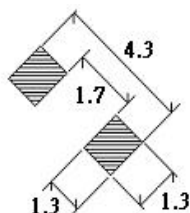
### 1.MECHANICAL DIMENSION



UNIT:mm

A	3.2MAX
B	3.2MAX
C	2.0MAX
D	1.0REF
E	3.3±0.2
F	4.5MAX
G	
H	
I	

### 2.RECOMMEND LAND PATTERN DIMENSIONS



### 3.SPECIFICATIONS

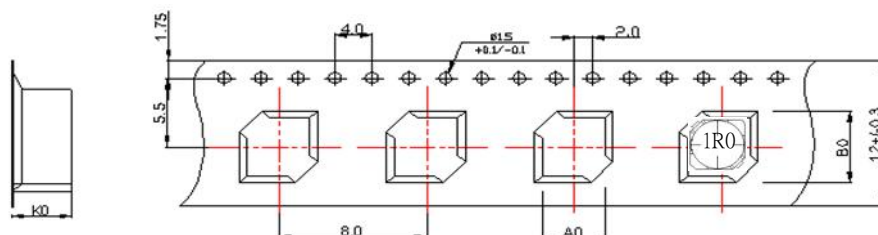
Part Number	L(0A) Inductance 1.0uH±30% @7.96MHz 0.25V	R <sub>dc</sub> (mOHM)		Heat Rating Current DC Amps.Idc(A)	Saturation Current DC Amps.Idc(A)
		Typical	Max	Typical	Typical
BCRH2D18/HP-1R0N	1.0	36.0	43.0	2.00	2.50

- (1). All test data is referenced to 25°C ambient.
- (2). Operating Temperature Rangr-30°C to +100°C.
- (3). DC current(2.0A)that will cause an approximate ΔT of 40°C.
- (4). DC current(2.5A)that will cause Lo to drop approximately 35%.
- (5). The part temperature(ambient+temp rise)should not exceed 100°C under worst case operating conditions.Circuit design,component placement,PWB trace size and thickness,airflow and other cooling provisions all affect the part temperature part temperature should be verified in the end appliation.

### 4.PACKAGING INFORMATION

parts are packaged on 13"reels  
3000 per reel,24000 per carton

A0= 3.25mm
B0= 3.25mm
K0= 2.3mm



APPROVED BY: Kevin Lin

CHECKED BY: Wang Xiufang

DRAWN BY: Peter Zhu jx

# ZHUHAI BAOCHENG ELECTRONICS CO.,LTD

## TEST DATA FOR PREPRODUCTION SAMPLE

CUSTOMER:			CUSTOMER P/N:				CUSTOMER REV:			TEST DATE:2018-6-11	
PART NAME: SMD INDUCTOR			BC PART NO:BCRH2D18/HP-1R0N				BC REV:			QUANTITY:PCS	
TEST ITEM	A	B	C	D	E	F	G	H	I	J	K
SPEC.	3.20	3.20	2.00								
	MAX	MAX	MAX								
01	3.00	3.03	1.95								
02	3.02	2.98	1.89								
03	3.04	3.01	1.90								
04	3.06	3.02	1.89								
05	3.04	3.02	1.91								
06	3.05	3.06	1.96								
07	3.03	2.99	1.90								
08	3.02	3.02	1.91								
09	3.07	3.03	1.90								
10	3.03	3.05	1.94								
11	3.01	3.06	1.93								
12	3.03	3.04	1.93								
13	3.05	3.04	1.91								
14	3.08	3.06	1.89								
15	3.04	3.05	1.93								
X	3.04	3.03	1.92								
$\sigma$	0.021	0.024	0.022								
Cpk	2.57	2.37	1.28								
APPROVED BY				CHECKED BY				PREPARED BY			
								chenlinli			

# ZHUHAI BAOCHENG ELECTRONICS CO.,LTD

## TEST DATA FOR PREPRODUCTION SAMPLE

CUSTOMER:		CUSTOMER P/N:		CUSTOMER REV:		TEST DATE:2018-6-11	
PART NAME: SMD INDUCTOR		BC PART NO:BCRH2D18/HP-1R0N		BC REV:		QUANTITY:PCS	
TEST ITEM	L(0A)	L(2.5A)/L(0A) 100%	DCR(S-F)				
TEST CONDITION	7.96MHz 0.25V						
SPEC.	1.0uH ±30%	≥65% AT DC 2.5A	43mΩ MAX				
01	0.780	96.0%	32.9				
02	0.780	97.4%	32.6				
03	0.790	97.8%	33.2				
04	0.770	96.9%	34.1				
05	0.770	96.5%	32.4				
06	0.790	97.2%	32.9				
07	0.800	95.9%	33.0				
08	0.770	95.5%	32.8				
09	0.750	96.8%	32.8				
10	0.800	98.0%	34.0				
11	0.840	96.8%	32.1				
12	0.920	96.2%	32.5				
13	0.730	98.2%	32.5				
14	0.810	98.0%	31.6				
15	0.750	92.5%	33.2				
$\bar{X}$	0.79		32.84				
$\sigma$	0.043		0.622				
Cpk	0.69		5.45				

## 1. TEST INSTRUMENTS:

- HP-4285A METER
- WK3260B METER
- HP-4191A METER
- CH-3200 METER
- CH-310 METER
- CH-3305 METER
- CD1068+CD1320 METER
- WK3260B METER
- VR562 METER
- CH-502B DCR METER

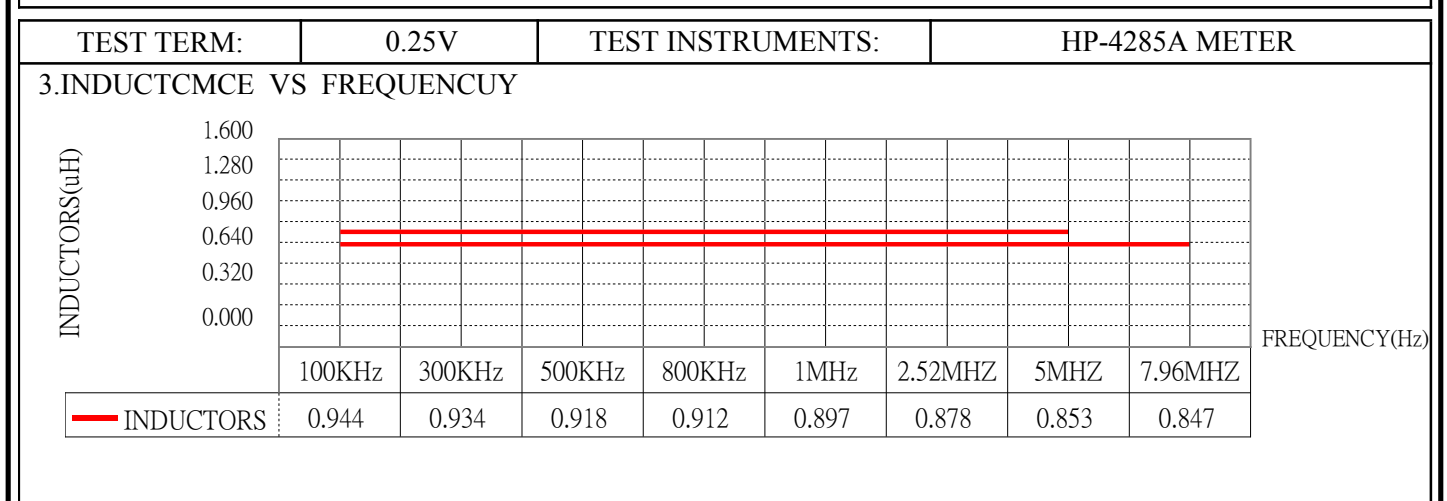
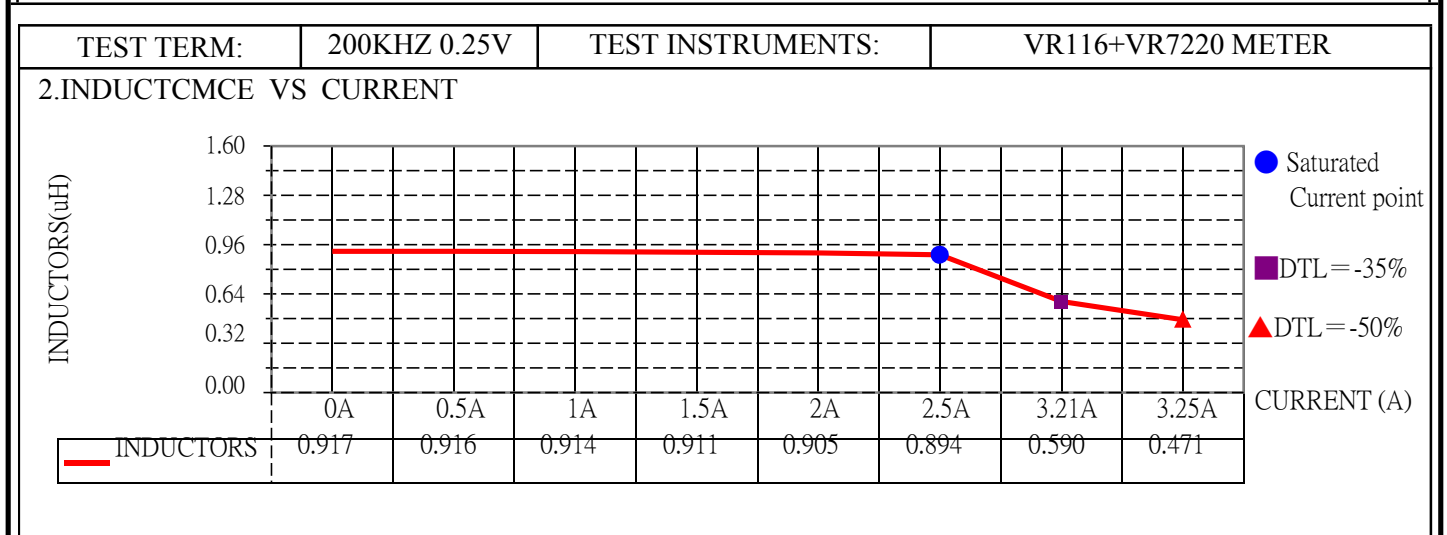
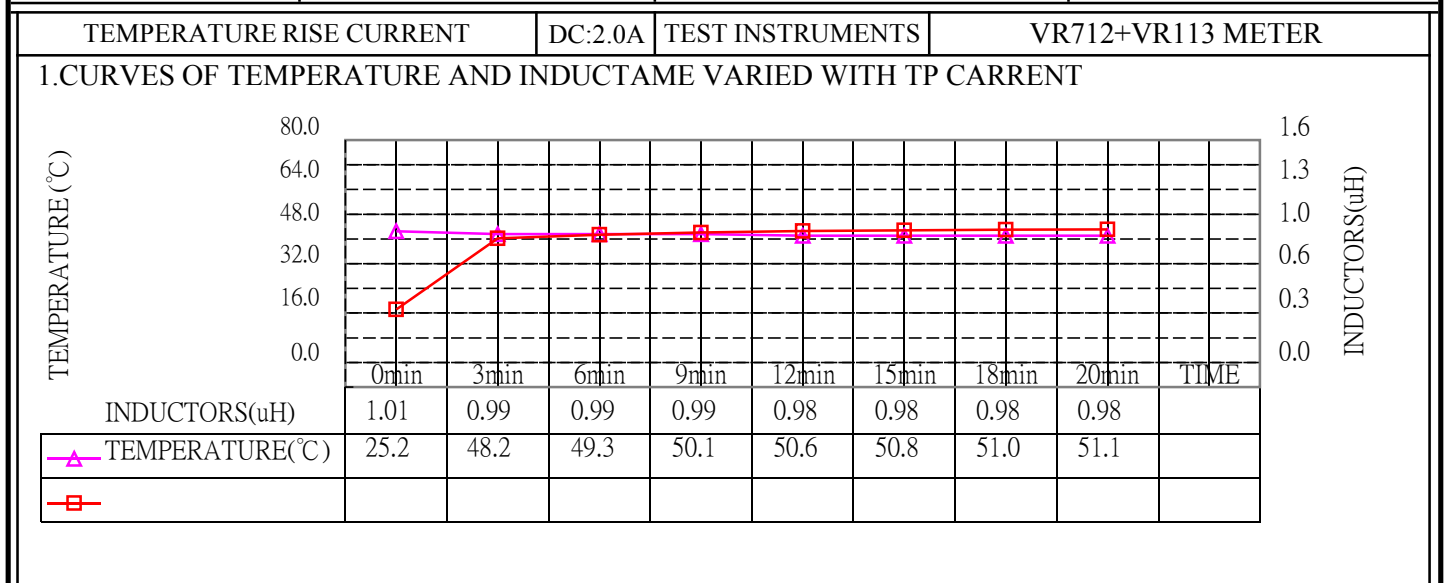
## 2.CONDITION

TEMPERATURE: 25°C  
HUMIDITY: 65%RH

APPROVED BY	CHECKED BY	PREPARED BY
		chenlinli

# ELECTRONICS CHARACTER TEST CHART

CUSTOMER:		CUSTOMER P/N:	TEST DATE:2018-6-11
PART NAME:	SMD INDUCTOR	BC PN:BCRH2D18/HP-1R0N	SAMPLE CO:



1.TEST CONDITION  
 TEMPERATURE: 25°C  
 HUMIDITY: ≅ 65% RH

APPROVED BY	CHECKED BY	PREPARED BY
		chenlinli