



Spring Contact SCTA_A Series (Standard Type)

Dimensions (W×D) 1.4×1.4mm

Height in use 1.4 to 1.8mm

Travel 0.6mm

Mounting type Surface mounting type

Mounting style Standard mount

Packing system Taping

Minimum order unit 10,000
(pcs.)

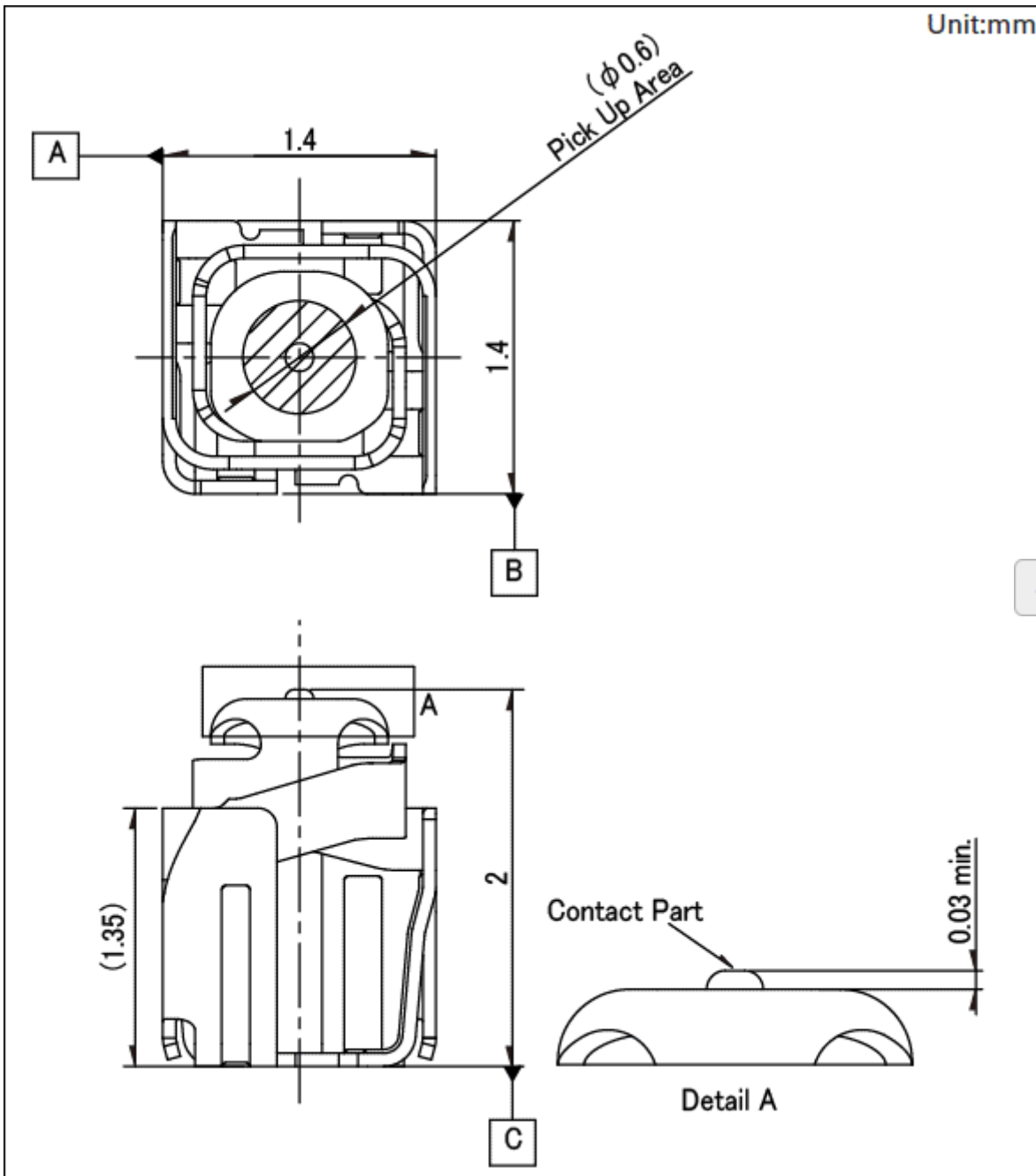
Operating temperature range -30°C to +85°C

Rated current 3A

Contact resistance Connector contacts 40mΩ max.
(Initial)

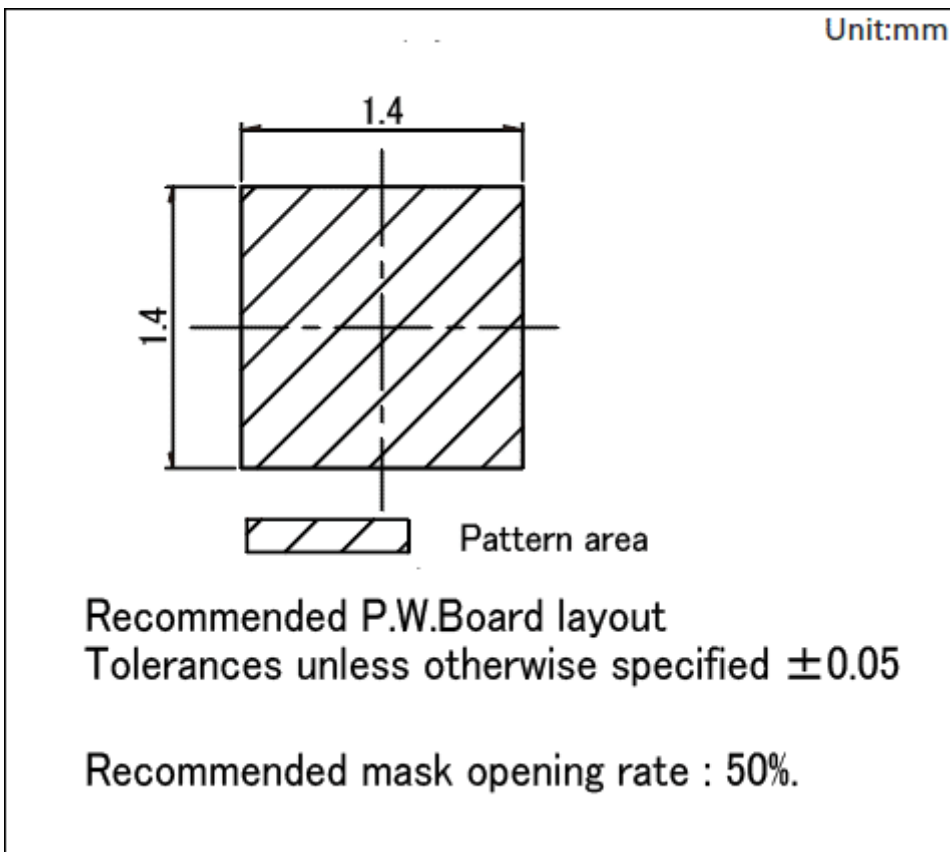
Stroke Frequency 500 times

Dimensions



▲ Page top

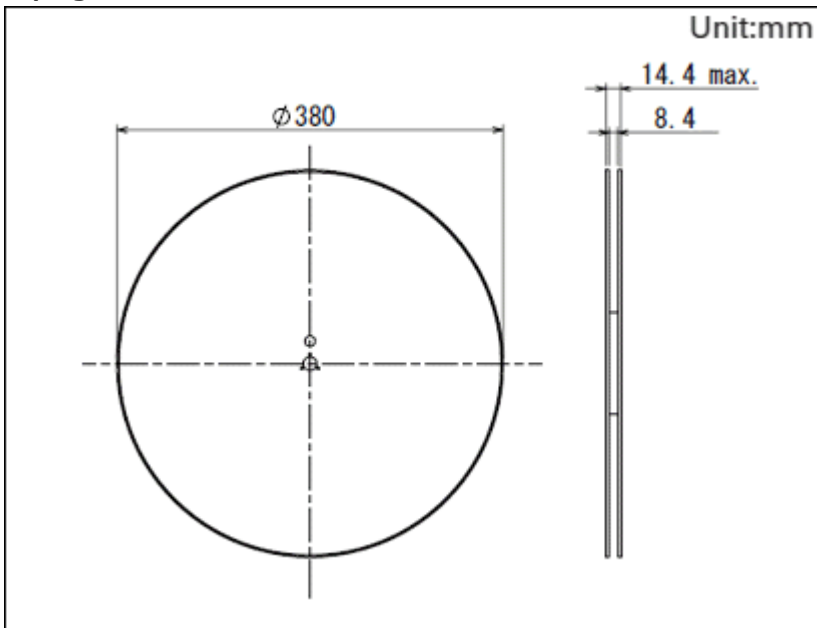
Land Dimensions



[▲ Page top](#)

Packing Specifications

Taping



Number of packages 1 reel 10,000
(pcs.)

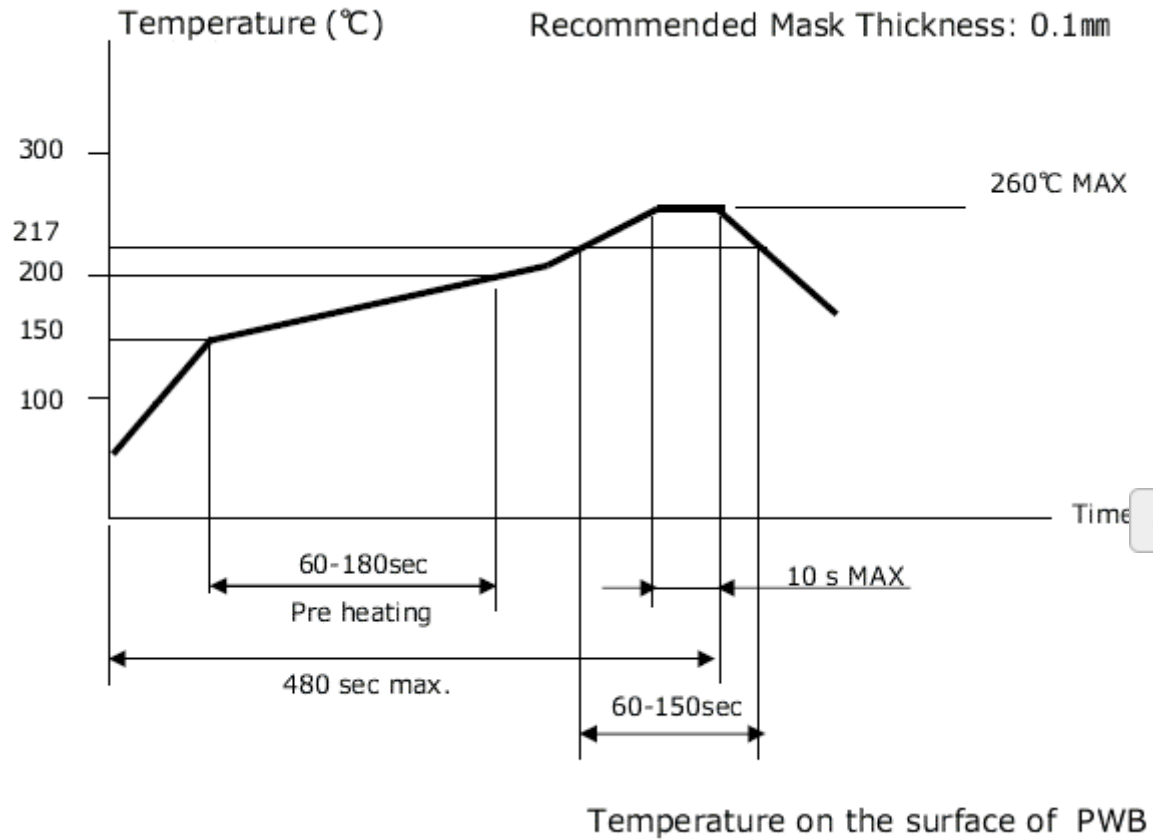
1 case / Japan 30,000

1 case / export packing 60,000

Tape width (mm) 8

Export package measurements (mm) 403×403×167

Soldering Conditions



Notes are common to this series/models.

1. This site catalog shows only outline specifications. When using the products, please obtain formal specifications for supply.
2. Please place purchase orders per minimum order unit (integer).