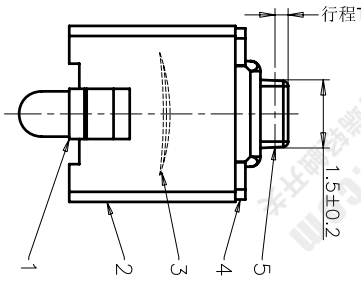
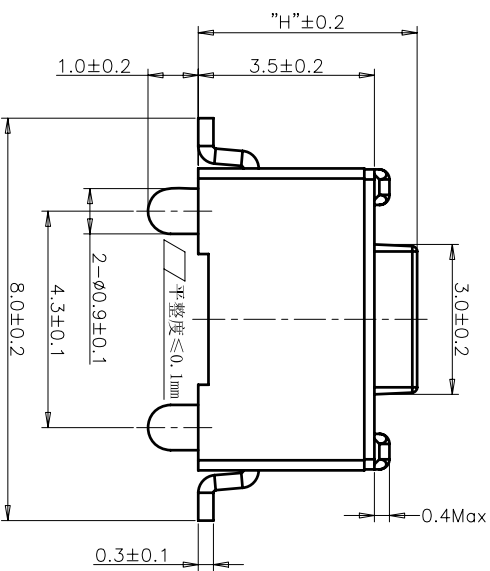
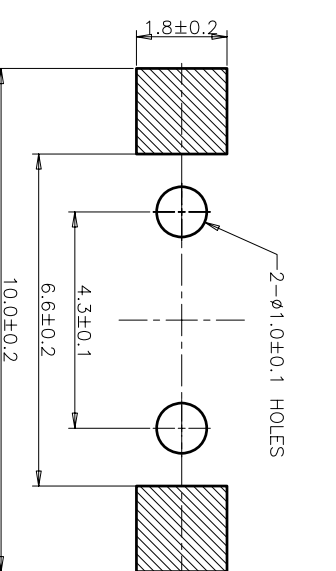
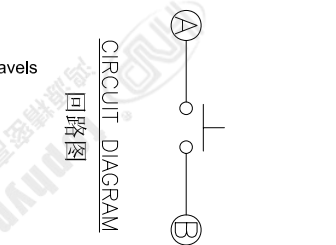
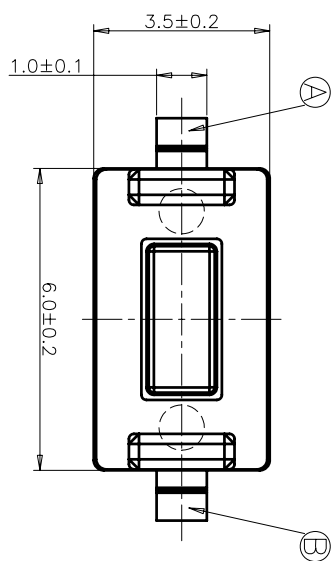


ACAD GENERATED DRAWING. DON'T CHANGE BY HAND.



REV	ECN NO.	APPD
A	HC-11-0027	PROJQM
B	HC-11-0062	PROJQM
C	HC-12-0061	PROJQM
D	HC-15-0064	PROJQM

规格 Specifications

额定负荷 Rating	DC 12V/50mA
接触电阻 Contact Resistance	100mΩ max.
绝缘电阻 Insulation resistance	DC100V 60S 100MΩ min.
抗电强度 Dielectric strength	AC250V(50-60HZ) 60S min.
操作力 Operation force	≤180±30gf ≤300±50gf
寿命试验 Operating Life	50,000 cycles 30,000 cycles
行程 Travels	0.25±0.1mm

PRODUCT NO.: 1TS002*****-CT

- 接触开关
- 3X6系列
- 外形:
- A=插脚
 - B=贴片
 - C=贴片带柱
 - E=贴片2.5高
 - K=贴片带柱8.8
 - L=贴片10.2
- 按钮颜色:
- 底座颜色:
- 盖板颜色:
- 操作力度:
- 130=130±20gf
 - 160=160±30gf
 - 180=180±30gf
 - 220=220±40gf
 - 250=250±50gf
 - 300=300±50gf
- 手感:
- 0=常规
 - 1=大手感
 - 2=小手感
 - 3=特殊手感
- 材料:
- 0=PA66
 - 1=LCP+PPA
 - 2=LCP
 - 3=PA66+PPA
 - 4=新增材质依次增加
- 产品高度(H):
- 430=4.3mm
 - 500=5.0mm
- 非编带, 不启用

ITEM	PART NAME	QUANTITY	MATERIAL	FINISH
5	ACTUATOR	1	PA66	WHITE
4	COVER	1	STAINLESS STEEL	NATURAL
3	DOME	1	STAINLESS STEEL	Ag-PLATED
2	HOUSING	1	PA66	WHITE
1	TERMINAL	1	BRASS	Ag-PLATED/0.2μm

X. ±	0.3	X.' ±	3'	UNITS	MM
.X ±	0.2	.X' ±	2'	MATL	
.XX ±	0.1	.XX' ±	1'		
.XXX ±	0.05	.XXX' ±	0.5'	FINISH	

THESE DRAWINGS AND SPECIFICATIONS ARE NOT TO BE USED FOR REPRODUCTION OR COPIED OR USED IN ANY MANNER WITHOUT THE PRIOR WRITTEN CONSENT OF HON YUAN PRECISION IND. CO., LTD.

NAME/(INTENDED USE)	3X6 SMT SERIES(POST) TACT SWITCH	TITLE:	PRODUCT DRAWING
PART NO.(INTENDED USE)	1TS002C****-*****-****0	DWG NO.:	1TS002C
APPD:	ZO 2015/11/12	CHKD:	M.H.Li 2015/11/12
DR:	WP.LU 2015/11/11	SCALE	10/1
		SHEET	1/4
		REV.	D