

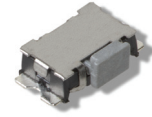
# KSS Series Subminiature SMT Side Actuated

## Features/Benefits

- Low profile of 1.7 mm
- Excellent tactile feel
- High shear force
- Range of actuation forces
- Large flat top
- RoHS compliant and compatible

## Typical Applications

- Cellular phone
- Industrial electronics
- Health diagnostic electronics



## Specification

FUNCTION: momentary action  
CONTACT ARRANGEMENT: N.O.  
TERMINALS: Gullwing  
IP40 sealed

## Mechanical

OVERLOAD: 20N  
TACTILE FEELING: 2 and 4N: 25% min.  
2.5N: 30% min.

Type	Operating force Newtons (grams)	Operating life (operations)	Travel (mm)
KSS221G	2.0 (200) ± 0.5	100,000	0,3 ± 0,15
KSS231G	2.5 (250) ± 0.5	100,000	0,3 ± 0,10
KSS241G	4.0 (400) ± 1.0	100,000	0,3 ± 0,15

**NOTE:** Specifications listed above are for switches with standard options.  
For information on specific and custom switches, consult Customer Service Center.

## Electrical

	Silver	Gold
MAXIMUM POWER:	1 VA	0.2 VA
MAXIMUM VOLTAGE:	32 VDC	32 VDC
MAXIMUM CURRENT:	50 mA	10 mA
MINIMUM CURRENT:	1 mA	1 mA
DIELECTRIC STRENGTH:	≥ 250 VDC	
CONTACT RESISTANCE:	< 100 mΩ	
INSULATION RESISTANCE (100 VDC):	≥ 10 <sup>9</sup> Ω	
BOUNCE TIME:	< 3 ms	

## Environmental

	Silver	Gold
OPERATING TEMPERATURE:	-40°C to 85°C	-40°C to 125°C
STORAGE TEMPERATURE:	-55°C to 85°C	-55°C to 125°C

## Process

Infrared reflow soldering in accordance with IEC 61760-1

## Packaging

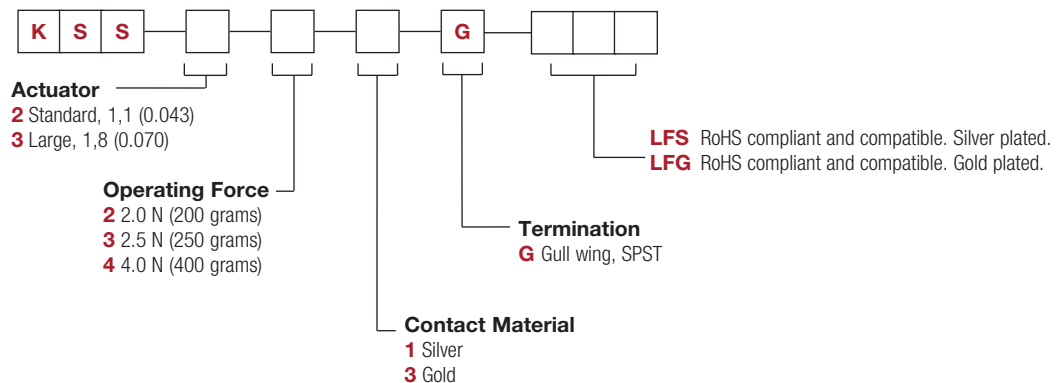
Tape and reels in reels of 3,000 pieces.  
External diameter 330mm ± 2mm.

## How To Order

Our easy build-a-switch concept allows you to mix and match options to create the switch you need. To order, select desired option from each category and place it in the appropriate box.

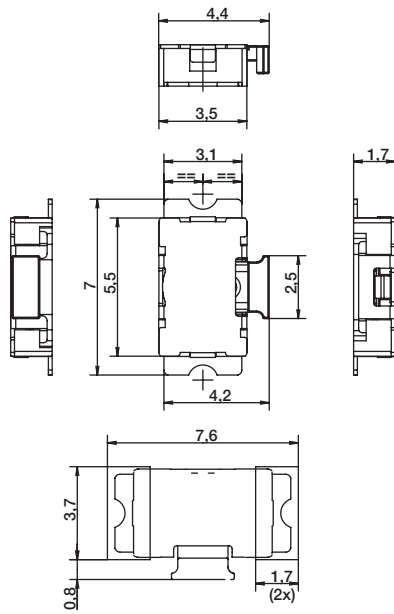
**However, please note that all the combinations of these options are not feasible.**

**For any part number different from those listed above, please consult your local representative.**



# KSS Series Subminiature SMT Side Actuated

KSS

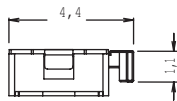


Tactile Switches

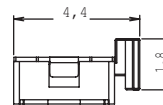
B

## ACTUATOR

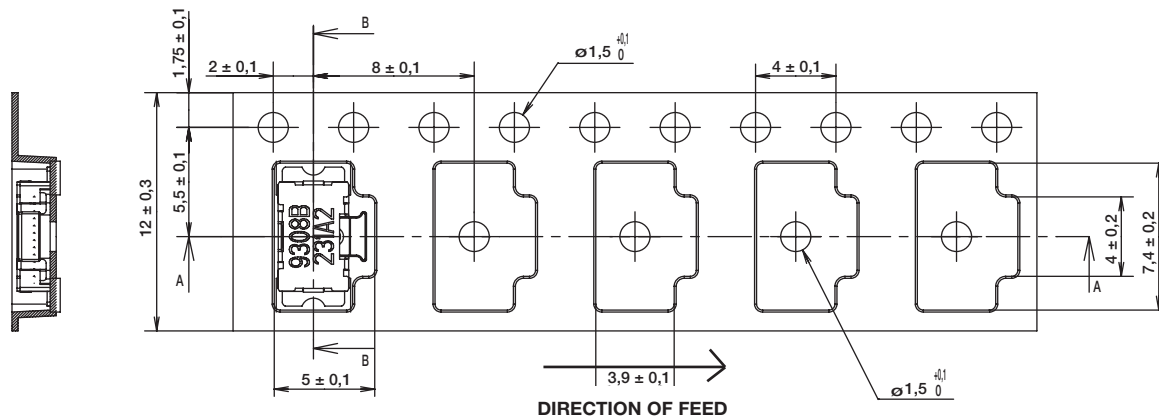
2 STANDARD, 1,1 (0.043)



3 LARGE, 1,8 (0.070)



## TAPE & REEL



First Angle  
Projection

Dimensions are shown: mm  
Specifications and dimensions subject to change

