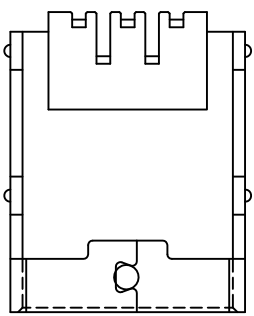
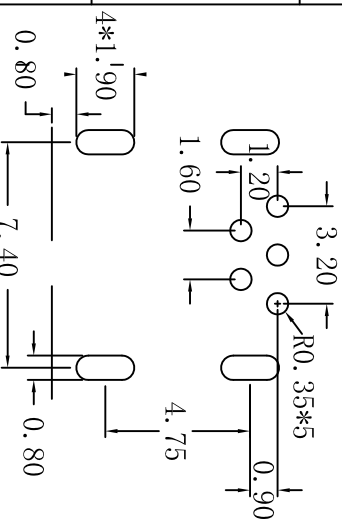
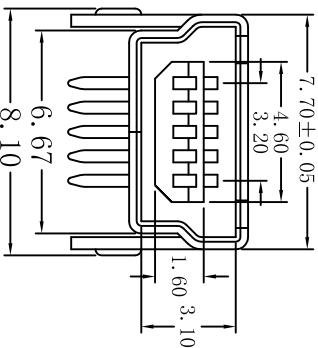
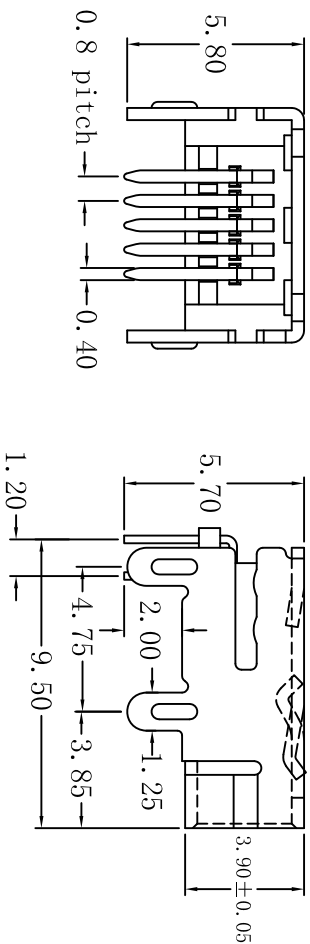
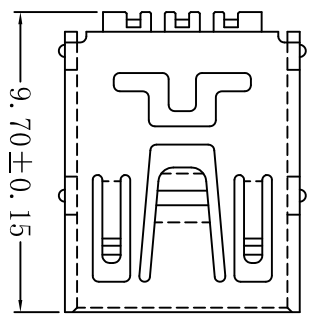


目錄 MAPX	變更內容 MODIFICATION	日期 DATE
------------	----------------------	------------



规格说明: Specifications:

电气特性: Electrical:

- 额定电流: Current Rating
1.0A/contact terminal
- 额定电压: Voltage Rating
30V DC
- 接触阻抗: Contact Resistance
50 milliohms MAX
- 耐电压: Dielectric Withstanding Voltage:
300 V AC AT Sea Level
- 绝缘阻抗: Insulation Resistance:
100MEGA ohms MIN

物理性能: Mechanical:

- 插拔力: Connector Mate and Unmate Force
Mate force: 3.0kgf (MAX)
Unmate force: 0.7kgf (MIN)
- 端子保持力: Terminal Retention
0.5kgf (MIN)

原材料: Material:

- 塑胶: Housing:
Hing Temperature Thermoplastics,
Ul 94V-0 LCP Black
 - 端子: Contact: Copper Alloy C5191/C2680
 - 外壳: Shell: Copper Alloy C2680
- 电镀: Finish:
- 端子: Contact: Plated Gold in Mating Area;
Tin On Solder Tails
 - 外壳: Shell:
Nickel Plating

深圳市精拓金电子有限公司

产品图
PRODUCT CHART DWG

公差一览表 TOLERANCE UNLESS OTHERWISE		单位 UNITS	MM	制图 DRAWING	邱建辉	产品料号 PRODUCT PART NO.	
X	±0.25	X'	±5'	审核 CHECK	郭洽富	产品名称 PRODUCT NAME	MINI USB 5P/F 90° B型四脚
XX	±0.15	XX'	±2'	核准 APPRO	黄国荣	角法 VIEW	
.XXX	±0.10	.XXX'	±0.5'	日期 DATE	2014/10/20	版本 REV	A0

RECOMMENDED PCB LAYOUT

