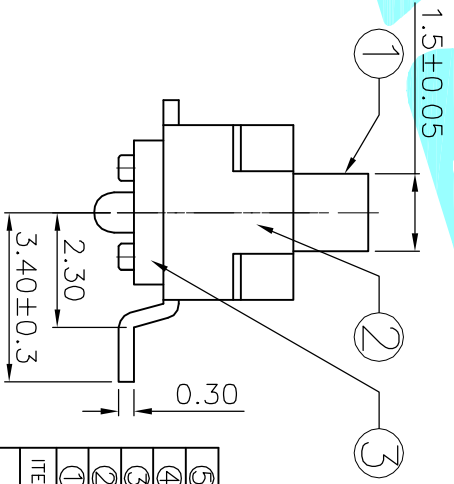
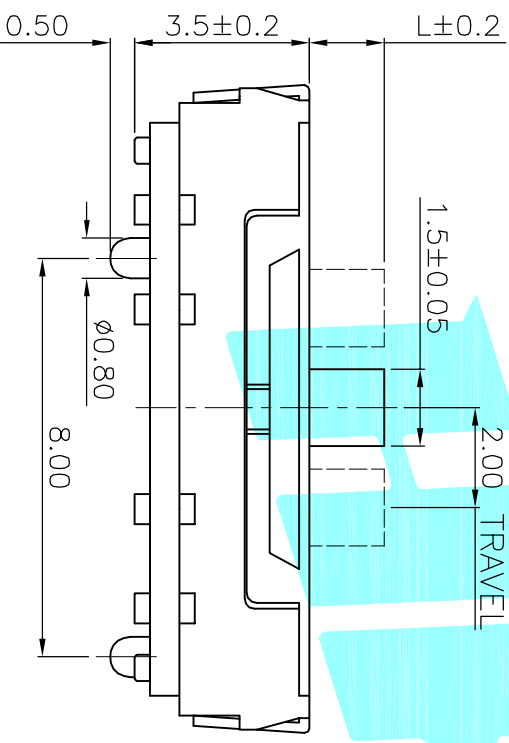


Circuit Diagram



PCB Layout (Pattern side)

PART NO.	L	Operating force
K3-1336S-F□	2	250±100gf
K3-1336S-K□	3	
K3-1336S-L□	4	

□: 1.Black 2.White

ITEM	PART NAME	TER.NO.	QTY.	MATERIAL	FINISHING	REMARK
⑤	Contact Spring	—	1	Beryllium copper	Ag Plated	—
④	Terminal	—	4	Brass Strip	Ag Plated	—
③	Base	—	1	NYLON	Black	—
②	Cover	—	1	SUS	Natural	—
①	KNOB	—	1	NYLON	White	—

APPROVALS	DATE
DRAWN J.X.Zhang	2013/9/26

CHECKED	TITLE:	PART NO.
APPROVALS	TOGGLE SWITCHES	

ECN NO.	REV.	DATE.	DESCRIPTION.	CHANGE.	CHECK.	APPRO.
	A		NEW			

TOLERANCES ARE	ANGLE	UNIT:	SCALE:	PROJ:	SHEET
30~12.5 ±0.30 10~30 ±0.20 5~10 ±0.15 ~5 ±0.10	±2°	mm	1:1	1 OF 1	1



ELECTRONICS CO.,LTD