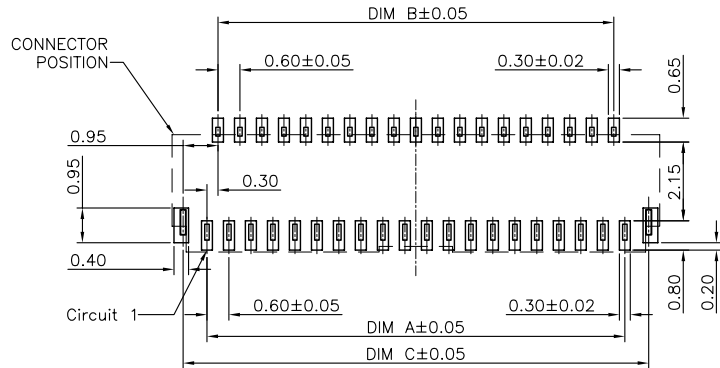
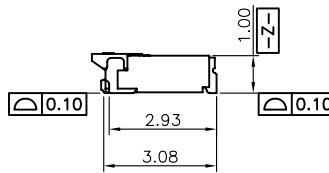
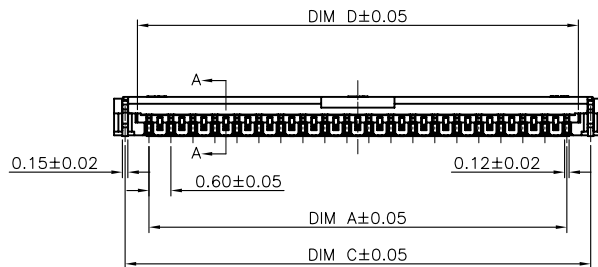
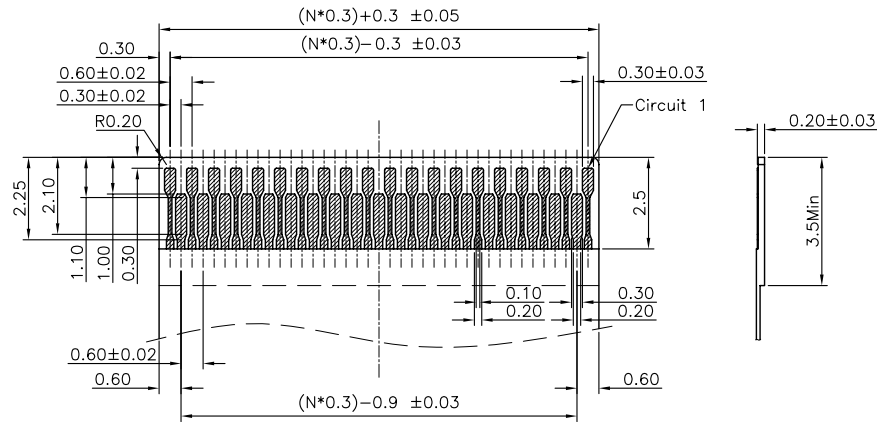


SECTION A-A
SCALE 1:1



RECOMMENDED P.C.B PATTERN LAYOUT



RECOMMENDED FPC/FFC DIMENSION

Note:

1. Material:

- 1.1 Housing: thermoplastic high temp.UL94V-0; Color: natural/black.
- 1.2 Latch: thermoplastic high temp.UL94V-0; Color: black.
- 1.3 Terminal: copper alloy.
- 1.4 Fitting Nail: copper alloy.

2. Finish:

- 2.1 Terminal:
Underplating: Gold flash overall.
- 2.2 Fitting Nail:
Underplating: matt Tin overall.

3. Product must comply HF RoHS specification.

4. Product No:

AFE03-S ** F * A - 00

CKTS

CONTACTS TYPE

E:Upper

F:Lower

PLATING

1:Gold flash 1u"

2:Gold flash 2u"

3:Gold flash 3u"

4:Gold flash 5u"

I:Gold point 1u"

J:Gold point 2u"

K:Gold point 3u"

L:Gold point 4u"

M:Gold point 5u"

PACKING

A:Tape&Reel

C:Tube

E:Tape&Reel With Mylar

G:Tube With Mylar

REMARKS

HF:Halogen free

1H:Housing: black

CKTS	DIM A	DIM B	DIM C	DIM D	DIM E
13	3.60	3.00	4.90	4.23	5.50
15	4.20	3.60	5.50	4.83	6.10
17	4.80	4.20	6.10	5.43	6.70
19	5.40	4.80	6.70	6.03	7.30
21	6.00	5.40	7.30	6.63	7.90
23	6.60	6.00	7.90	7.23	8.50
25	7.20	6.60	8.50	7.83	9.10
27	7.80	7.20	9.10	8.43	9.70
29	8.40	7.80	9.70	9.03	10.30
31	9.00	8.40	10.30	9.63	10.90
33	9.60	9.00	10.90	10.23	11.50
35	10.20	9.60	11.50	10.83	12.10
37	10.80	10.20	12.10	11.43	12.70
39	11.40	10.80	12.70	12.03	13.30
41	12.00	11.40	13.30	12.63	13.90
43	12.60	12.00	13.90	13.23	14.50
45	13.20	12.60	14.50	13.83	15.10
47	13.80	13.20	15.10	14.43	15.70
49	14.40	13.80	15.70	15.03	16.30
51	15.00	14.40	16.30	15.63	16.90
53	15.60	15.00	16.90	16.23	17.50
55	16.20	15.60	17.50	16.83	18.10
57	16.80	16.20	18.10	17.43	18.70
59	17.40	16.80	18.70	18.03	19.30
61	18.00	17.40	19.30	18.63	19.90
63	18.60	18.00	19.90	19.23	20.50
65	19.20	18.60	20.50	19.83	21.10
67	19.80	19.20	21.10	20.43	21.70
69	20.40	19.80	21.70	21.03	22.30
71	21.00	20.40	22.30	21.63	22.90

CUSTOMER DRAWING

Tolerance Unspecified (未注公差)
0.0 ±0.15 0° ±5°
0.00 ±0.10 0° ±3°
0.000 ±0.05 0° 0.00 ±1°

Size (图幅): A4
Unit (单位): MM
Scale (比例): 1:1
Page (页数): 1 OF 1

深圳市钜硕电子有限公司

Product Name (产品名称):
0.3Pitch H=1.0 FPC Easy-on R/A Type2 SMT CONN

Product No (产品料号):
AFE03-S**F**--**

Project View (投影视角)
Rev (版本): A

Designer (设计): Allan 05/08'15
Checked (审核):
Approved (核准):

Rev 版本	Change Description 变更内容	Date 日期	Revisor 制/修订人
A	Original Issue	2015/05/08	Allan